

D-Sub Full Metal, Rubber grommet, Top cable entry, Long JS

TECHNICAL SPECIFICATIONS

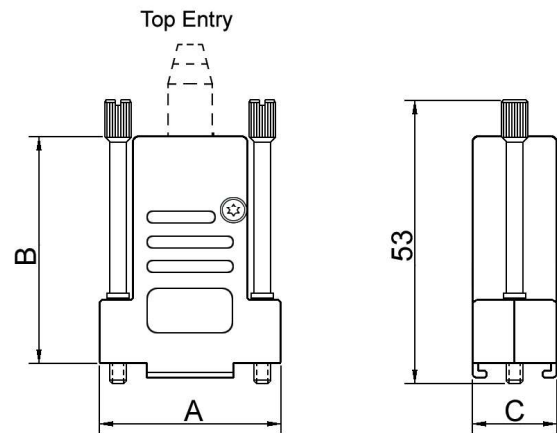
Material: Zinc, Nickel Plated  
 Operating Temperature: -40°C to +120°C  
 Cable Entry: Top Entry  
 Rubber Grommet RGS  
 Strain relief: Clamp + Insert  
 Thumbscrews: UNC 4-40 (Standard)  
 M2,5 or M3 on request  
 Cable O.D: Up to 11.5mm (Standard)

**Extra large cable entry for Sizes 25 and 37 on request**



Features:

- 360° EMI Shielding
- Quick assembly
- Pre-mounted locking screws
- Supports all types of cables
- Suitable for any common D-Sub connector
- Also available in non-magnetic version
- Sizes 25 and 37 also available with larger cable entry - up to Cable O.D. 18mm



Size DTSL	Dim A	Dim B	Dim C
9-way	32,2	42,0	14,5
15-way	40,8	42,3	14,9
25-way	54,0	42,3	14,9
37-way	70,5	48,0	15,1



Part No: 6844-0104-01

Ordering information:

Size:	P/N - Kitted:	Product Code:
9-way	6560-0247-31	DTSL09-RG-LJS-T-K
15-way	6560-0247-32	DTSL15-RG-LJS-T-K
25-way	6560-0247-33	DTSL25-RG-LJS-T-K
37-way	6560-0247-34	DTSL37-RG-LJS-T-K

Size:	P/N - BULK:	Product Code:
9-way	6561-0247-31	DTSL09-RG-LJS-T
15-way	6561-0247-32	DTSL15-RG-LJS-T
25-way	6561-0247-33	DTSL25-RG-LJS-T
37-way	6561-0247-34	DTSL37-RG-LJS-T