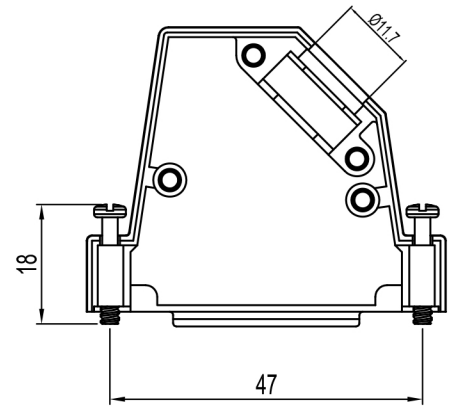
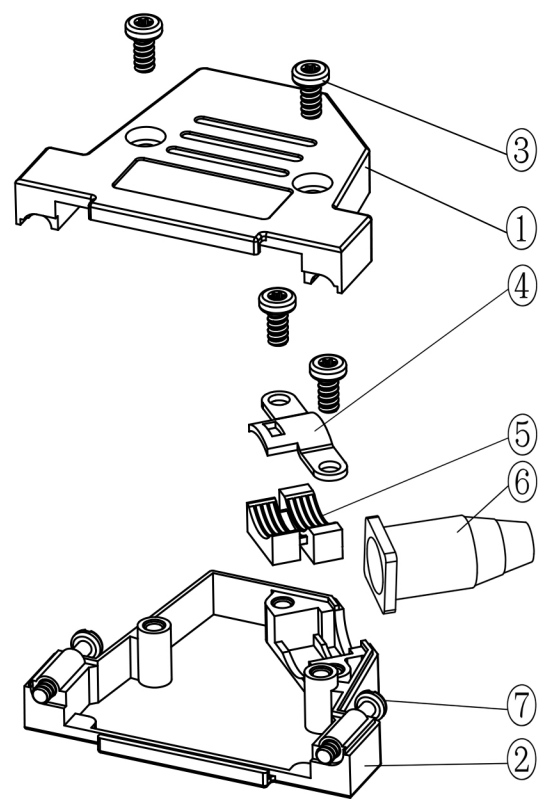
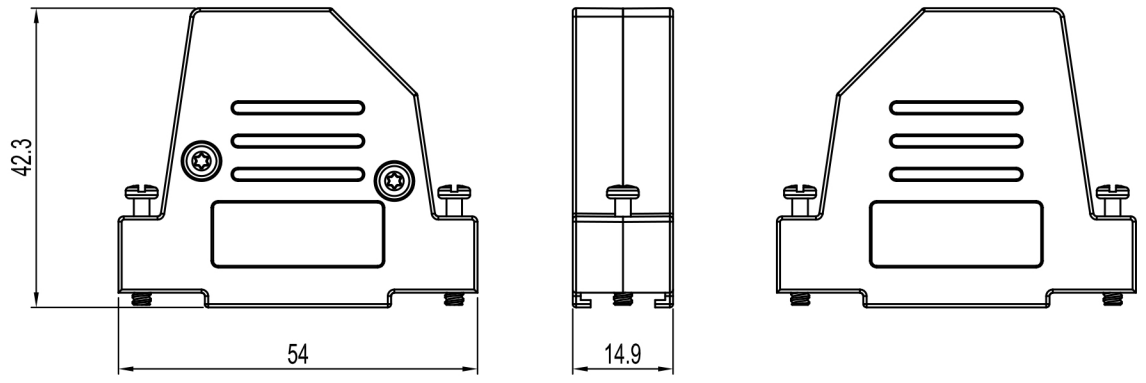


No.	Changes and/or Note No.	Date	Intr	No	Changes and/or Note No.	Date	Intr
-----	-------------------------	------	------	----	-------------------------	------	------

Revision
0



Part Number:	Description:	Pack:	Item	QTY	Part description
6560-2218-33	DTSL25-RG-SJS-M2.5-S-K	Kit	1	1	D45SL25-Upper Cover
			2	1	D45SL25-Lower Cover
			3	4	M2.5X6 Screw
			4	1	Cable clamp
6561-2218-33	DTSL25-RG-SJS-M2.5-S	Bulk	5	1	Plastic Insert DTSL15-Top & Side
			6	1	Rubber Grommet
			7	2	M2.5x18 Jackscrew

DATE: 2016-06-28	DRAWN: MRR	SCALE:	MATERIAL TYPE:	GENERAL TOLERANCES UNLESS OTHERWISE STATED LINEAR 0 ±0.20 0.0 ±0.15 0.00 ±0.10 ANGULAR ±0°30' ALL DIMENSIONS IN mm THIRD ANGLE PROJECTION
AUDITING:	APPROVED:		REPLACES:	

	DTSL25-RG-SJS - Series		DRAWING No:	6688-9664-8
--	------------------------	--	-------------	-------------