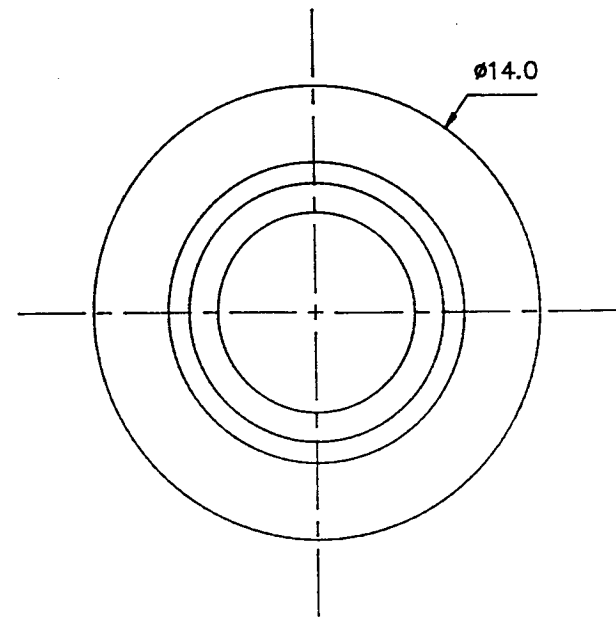
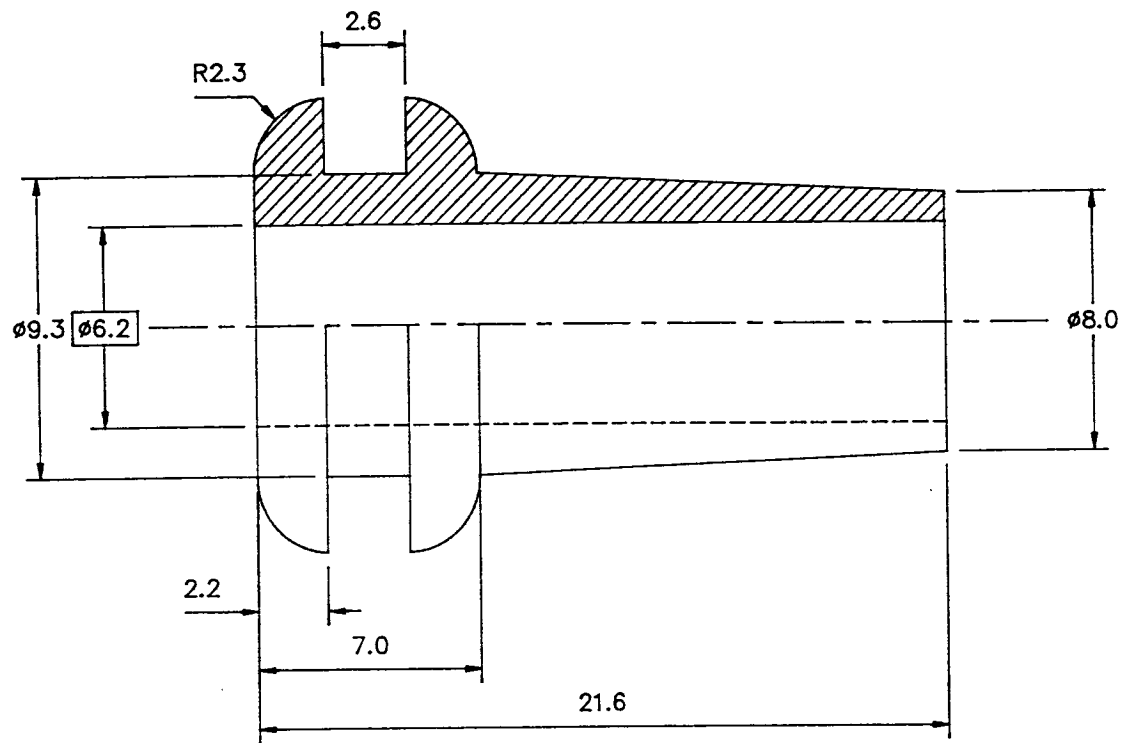


Cable Management

Order code	Manufacturer code	Description
04-0202	n/a	6.3MM SLEEVED PVC GROMMET (100)

Cable Management	Page 1 of 3
The enclosed information is believed to be correct, Information may change 'without notice' due to product improvement. Users should ensure that the product is suitable for their use. E. & O. E.	Revision A 04/07/2003



PVC COMPOUNDS

TYPICAL TEST DATA

<u>GRADE:</u>	DVF 430 - 690		
<u>PROPERTIES:</u>	Units		Test Method
BS Softness		125	BS 2782 Method 365A 1976
Relative Density		1.35	ASTM D79 2 1986 Method A
Tensile Strength	MN/m ²	8	BS2782 Method 320 1976
Elongation	%	350	BS2782 Method 320 1976
Cold Bend	°C	-40	BS2782 Method 151A 1984
Cold Flex	°C	-45	BS2782 Method 150B 1976