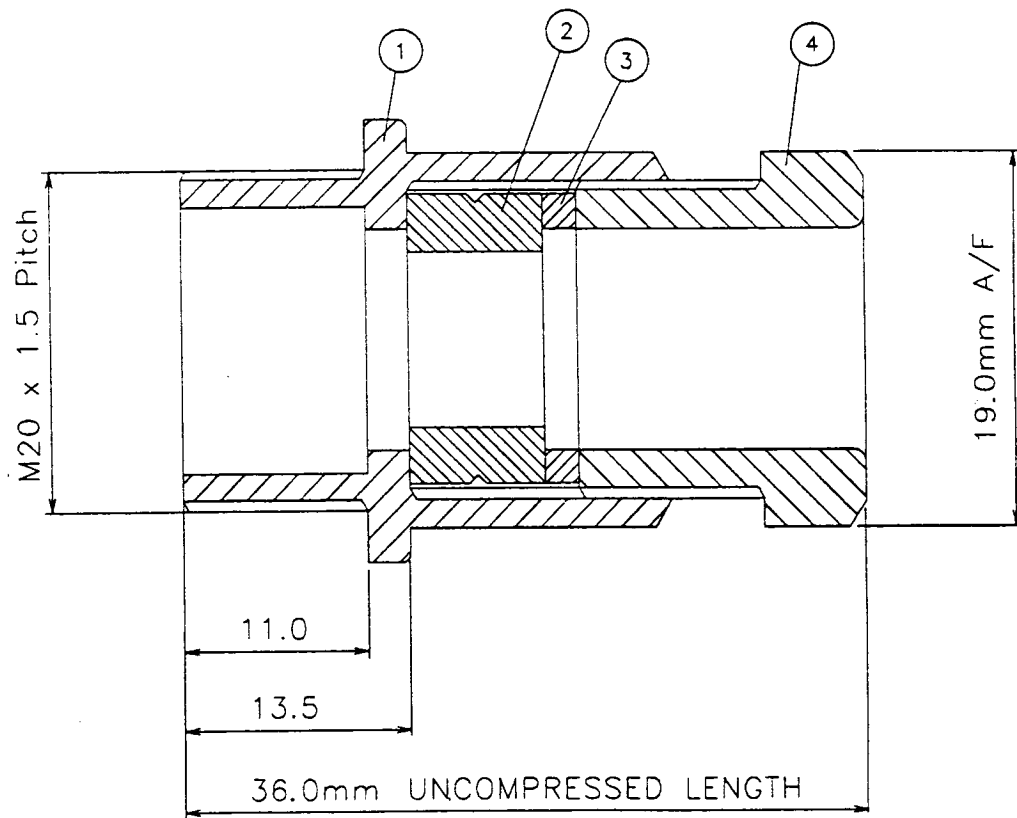


Cable Glands

| Order code | Manufacturer code | Description |
|------------|-------------------|-----------------------------|
| 04-0280 | 249B93B97B ASSD | 4-7MM M20 BLACK CABLE GLAND |

| | |
|--|--------------------------|
| Cable Glands | Page 1 of 2 |
| The enclosed information is believed to be correct, Information may change 'without notice' due to product improvement. Users should ensure that the product is suitable for their use. E. & O. E. | Revision A 04/07/2003 |



| PART | DESCRIPTION | Cat No. | MATERIAL |
|------|------------------|---------|----------------|
| 1 | BASE | 451 | NYLON 6.6 |
| 2 | COMPRESSION SEAL | 375 | NITRILE RUBBER |
| 3 | SKID WASHER | 88 | NYLON 6.6 |
| 4 | BUSH | 46 | NYLON 6.6 |

TO ACCOMMODATE
CABLE DIAMETERS
4.0 - 7.0mm