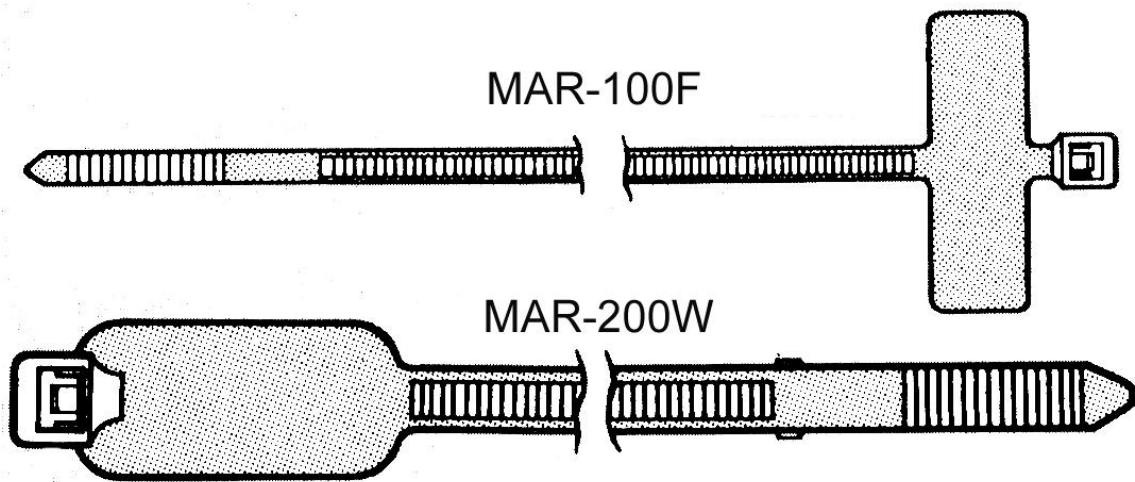


Cable Management

Order code	Manufacturer code	Description
04-0480	MAR-100F	PACK 100 100MM MARKER TIES

Cable Management	Page 1 of 2
The enclosed information is believed to be correct, Information may change 'without notice' due to product improvement. Users should ensure that the product is suitable for their use. E. & O. E.	Revision A 04/07/2003

Marker Ties



Partex Marker Ties provide a quick and effective method of securing and marking bundles of cables. They can also be used for component marking and pipe identification. Markings can be made using any indelible marker. Available only in natural (clear) colour.

Manufactured in high quality nylon 6.6, flame retardant to UL94V2.

Partex type	Length (mm)	Width (mm)	Max. bundle dia (mm)	Min. tensile strength (kg)	Marking area (mm)
MAR-100F	100	2.5	20	8	25 x 8
MAR-200W	200	4.6	50	22	28 x 13

Supplied in packs of 100 ties.