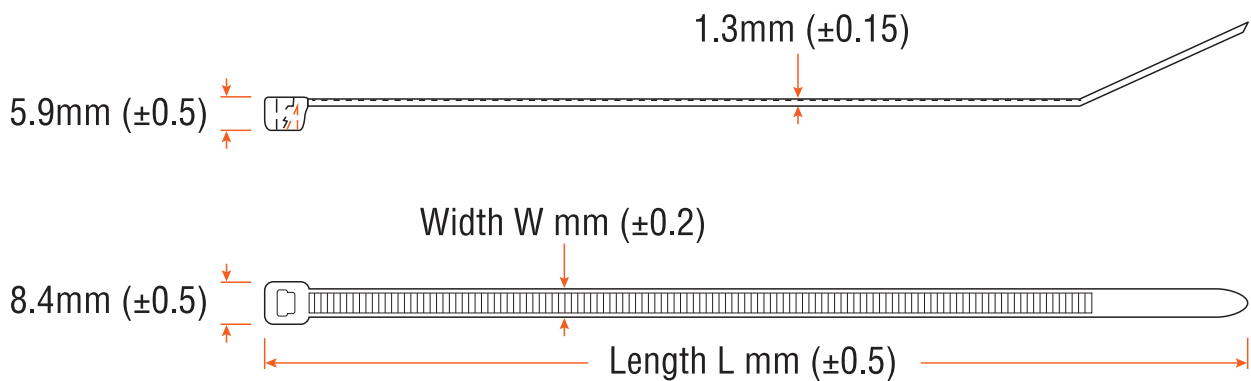
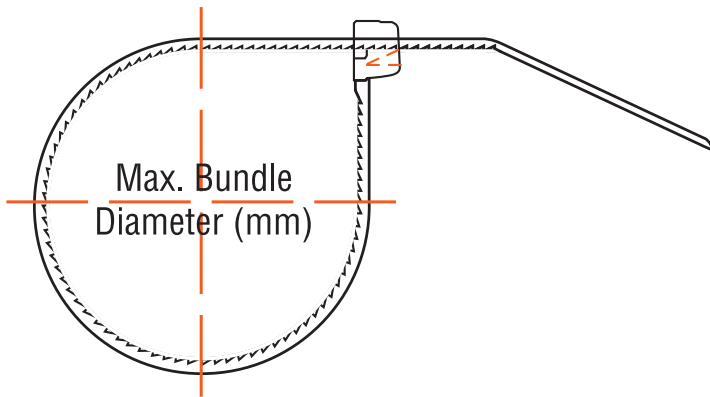


Cable Ties (Pack 100) - Standard Range



Materials:

UL approved Nylon 66, 94V-2
High tensile strength with low insertion force
Excellent resistance to weathering and ageing

Feature:

Suitable for a multitude of uses in various industries

Application:

Self-locking for fast and easy application.

Operating Temperature:

-40°C to +85°C



Cable Ties (Pack 100)

- Standard Range

Order code	MPN	Colour	Width W (mm)	Length L (mm)	Max. Bundle Diameter (mm)	Min. Tensile Strength (kg)
	UNI-CT25-B	Black	4.8	120	27	22
04-0875	UNI-CT3-B	Black	4.8	160	39	22
	UNI-CT49-B	Black	4.8	190	50	22
04-0876	UNI-CT5-B	Black	4.8	203	52	22
04-0877	UNI-CT26-B	Black	4.8	250	68	22
	UNI-CT30-B	Black	4.8	280	77	22
04-0878	UNI-CT8-B	Black	4.8	300	83	22
04-0879	UNI-CT10-B	Black	4.8	368	105	22
	UNI-CT31-B	Black	4.8	385	110	22
04-0880	UNI-CT12-B	Black	4.8	432	125	22
	UNI-CT54-B	Black	4.8	450	131	22
	UNI-CT55-B	Black	4.8	500	147	22
	UNI-CT32-B	Black	4.8	550	162	22
	UNI-CT33-B	Black	4.8	635	189	22
	UNI-CT51-B	Black	4.8	730	216	22
	UNI-CT25-W	Natural	4.8	120	27	22
04-0881	UNI-CT3-W	Natural	4.8	160	39	22
	UNI-CT49-W	Natural	4.8	190	50	22
04-0882	UNI-CT5-W	Natural	4.8	203	52	22
04-0883	UNI-CT26-W	Natural	4.8	250	68	22
	UNI-CT30-W	Natural	4.8	280	77	22
04-0884	UNI-CT8-W	Natural	4.8	300	83	22
04-0885	UNI-CT10-W	Natural	4.8	368	105	22
	UNI-CT31-W	Natural	4.8	385	110	22
04-0886	UNI-CT12-W	Natural	4.8	432	125	22
	UNI-CT54-W	Natural	4.8	450	131	22
	UNI-CT55-W	Natural	4.8	500	147	22
	UNI-CT32-W	Natural	4.8	550	162	22
	UNI-CT33-W	Natural	4.8	635	189	22