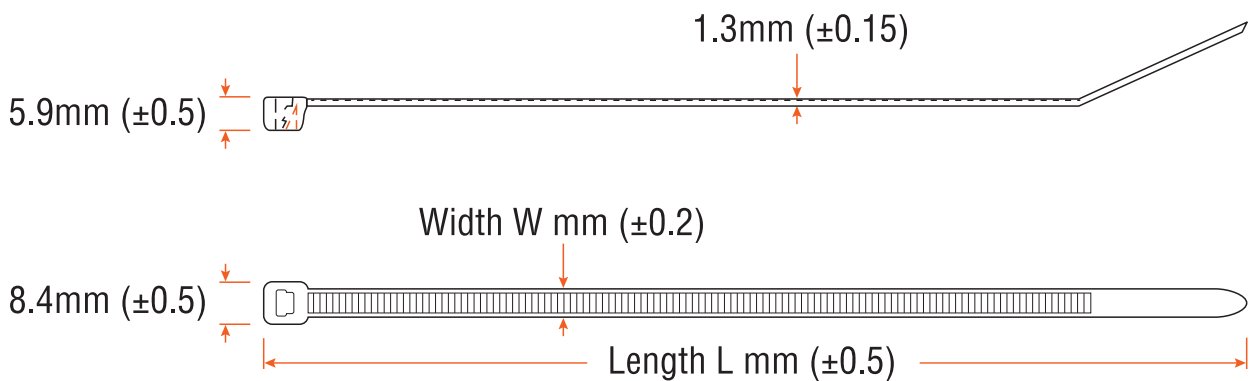
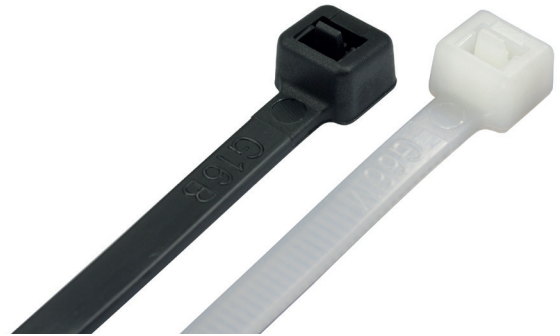
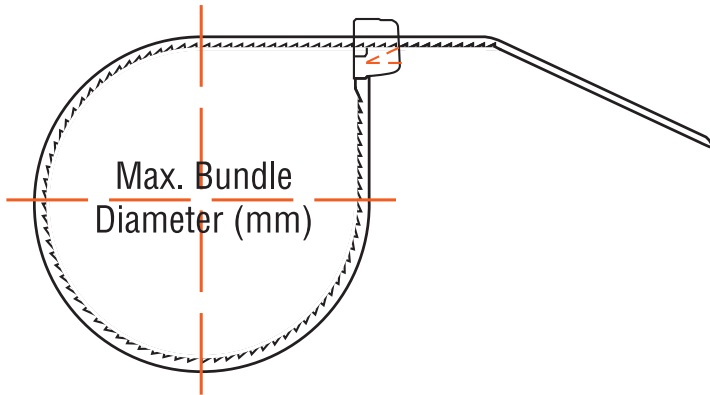


## Cable Ties (Pack 100) - Standard Range



**Materials:**

UL approved Nylon 66, 94V-2  
High tensile strength with low insertion force  
Excellent resistance to weathering and ageing

**Feature:**

Suitable for a multitude of uses in various industries

**Application:**

Self-locking for fast and easy application.

**Operating Temperature:**

-40°C to +85°C



# Cable Ties (Pack 100)

## - Standard Range

Order code	MPN	Colour	Width W (mm)	Length L (mm)	Max. Bundle Diameter (mm)	Min. Tensile Strength (kg)
	UNI-CT25-B	Black	4.8	120	27	22
<b>04-0875</b>	UNI-CT3-B	Black	4.8	160	39	22
	UNI-CT49-B	Black	4.8	190	50	22
<b>04-0876</b>	UNI-CT5-B	Black	4.8	203	52	22
<b>04-0877</b>	UNI-CT26-B	Black	4.8	250	68	22
	UNI-CT30-B	Black	4.8	280	77	22
<b>04-0878</b>	UNI-CT8-B	Black	4.8	300	83	22
<b>04-0879</b>	UNI-CT10-B	Black	4.8	368	105	22
	UNI-CT31-B	Black	4.8	385	110	22
<b>04-0880</b>	UNI-CT12-B	Black	4.8	432	125	22
	UNI-CT54-B	Black	4.8	450	131	22
	UNI-CT55-B	Black	4.8	500	147	22
	UNI-CT32-B	Black	4.8	550	162	22
	UNI-CT33-B	Black	4.8	635	189	22
	UNI-CT51-B	Black	4.8	730	216	22
	UNI-CT25-W	Natural	4.8	120	27	22
<b>04-0881</b>	UNI-CT3-W	Natural	4.8	160	39	22
	UNI-CT49-W	Natural	4.8	190	50	22
<b>04-0882</b>	UNI-CT5-W	Natural	4.8	203	52	22
<b>04-0883</b>	UNI-CT26-W	Natural	4.8	250	68	22
	UNI-CT30-W	Natural	4.8	280	77	22
<b>04-0884</b>	UNI-CT8-W	Natural	4.8	300	83	22
<b>04-0885</b>	UNI-CT10-W	Natural	4.8	368	105	22
	UNI-CT31-W	Natural	4.8	385	110	22
<b>04-0886</b>	UNI-CT12-W	Natural	4.8	432	125	22
	UNI-CT54-W	Natural	4.8	450	131	22
	UNI-CT55-W	Natural	4.8	500	147	22
	UNI-CT32-W	Natural	4.8	550	162	22
	UNI-CT33-W	Natural	4.8	635	189	22