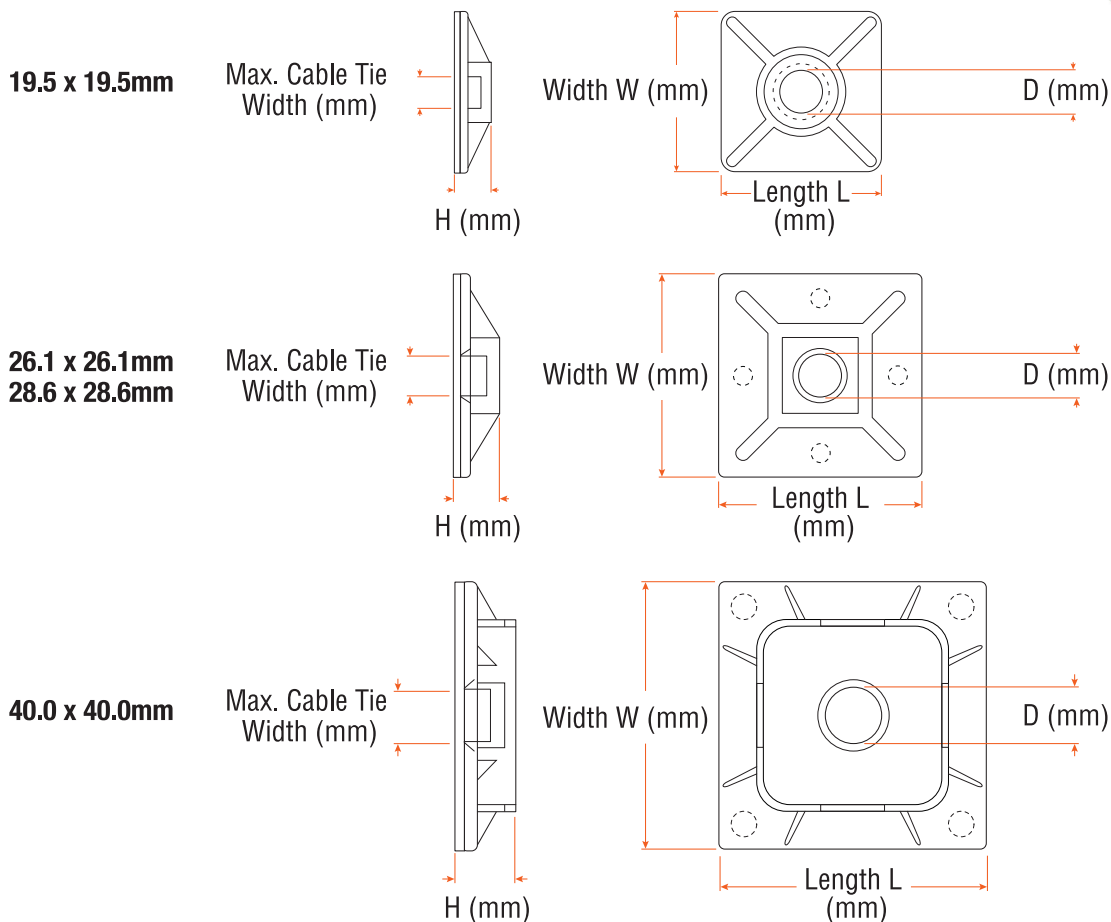
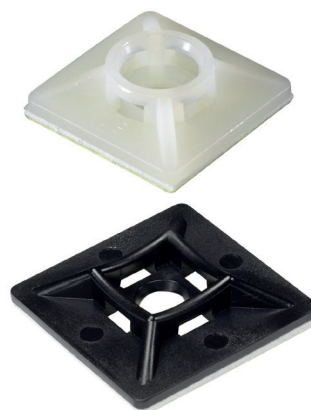


- Materials:** UL approved Nylon 66, 94V-2
- Adhesives:** Double coated polyethylene foam tape (acrylic, 0.62mm thickness)
- Feature:** Self-adhesive tie mounts are designed to support light weight wire bundles
- Application:** For heavy support, mounting hole is provided for screws
- Operating Temp:** -40°C to +85°C



Order code	MPN	Colour	Width W (mm)	Length L (mm)	Dimensions H (mm)	Suitable for Max. Cable Tie Width (mm)	Hole (mm)
04-0915	UNI-CA19x19-B	Black	19.5	19.5	3.9	4.6	5.2
	UNI-CA26x26-B	Black	26.1	26.1	6.0	8.0	4.3
04-0917	UNI-CA28x28-B	Black	28.6	28.6	5.3	5.5	5.0
	UNI-CA40x40-B	Black	38.5	38.5	7.6	10.2	5.0
04-0916	UNI-CA19x19-N	Natural	19.5	19.5	3.9	4.6	5.2
	UNI-CA26x26-N	Natural	26.1	26.1	6.0	8.0	4.3
04-0918	UNI-CA28x28-N	Natural	28.6	28.6	5.3	5.5	5.0
	UNI-CA40x40-N	Natural	38.5	38.5	7.6	10.2	5.0