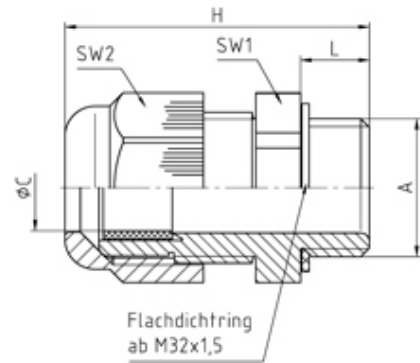


## 50.616 PA/SWL

Perfect cable gland PA/SW long thread M16X1,5 thread length 15, min/max cable dia 5-10 Body - Polyamide PA6 V-2



### SPECIFICATION

|                                 |                                       |
|---------------------------------|---------------------------------------|
| Product Type                    | Standard                              |
| Sealing Ring Material           | Polychloroprene-Nitrile rubber CR/NBR |
| Body Material                   | Polyamide                             |
| Min Temperature °C              | -20                                   |
| Max Temperature °C              | 100                                   |
| IP Rating                       | 68                                    |
| Colour                          | Black - RAL 9005                      |
| Thread Size                     | M16                                   |
| Clamping Range Min (mm)         | 5                                     |
| Clamping Range Max (mm)         | 10                                    |
| External Connecting Thread Type | Metric                                |
| Thread Length (mm)              | 15                                    |
| Comments                        | details about tests - see annex       |
| Width Across Flat 1 (mm)        | 20                                    |
| Width Across Flat 2 (mm)        | 20                                    |
| Height (mm)                     | 42.5                                  |
| Connecting Thread Size          | M16x1.5                               |
| Additional Material Detail      | Body - Polyamide PA6 V-2              |
| Standards                       | EN50262/UL514B                        |