

## MOTOR SUPPRESSOR

RC, 3x400VAC/4kW

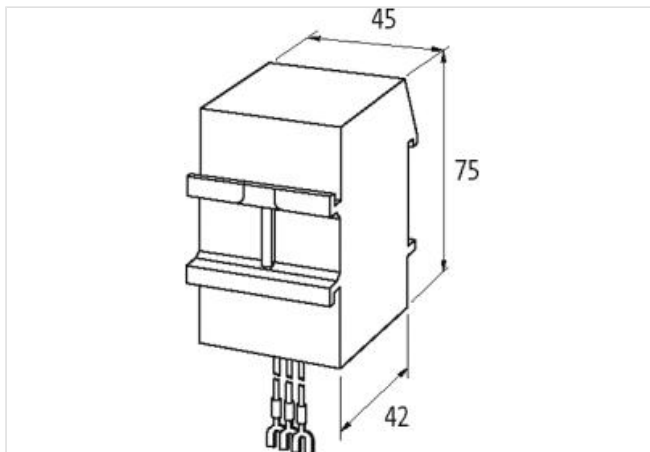
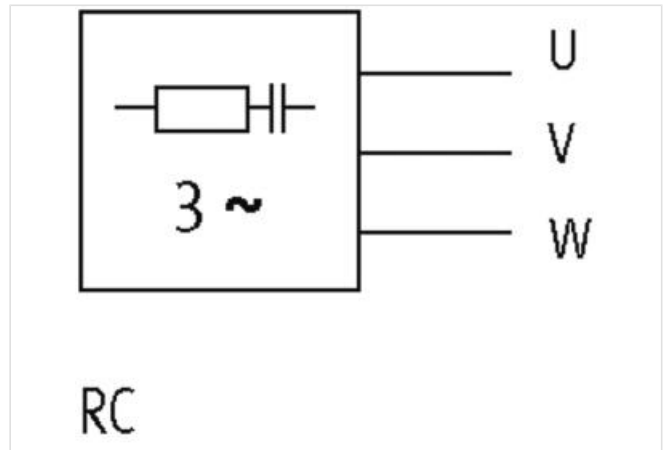
3× 400 V AC

RC

Suppressors for other voltages, frequencies, and motor ratings available on request. Do not use RC motor suppressors with frequency inverters.

### [Link to Product](#)

#### Illustration



Product may differ from Image



#### Commercial data

ECLASS-6.0	27371013
ECLASS-6.1	27371013
ECLASS-7.0	27371013
ECLASS-8.0	27371013
ECLASS-9.0	27371013
ECLASS-10.1	27371013

ECLASS-11.1	27371013
ECLASS-12.0	27371013
ETIM-5.0	EC000197
customs tariff number	85363010
GTIN	4048879019637
Packaging unit	1
<b>Electrical data   Supply</b>	
Power frequency	50 ... 60 Hz
<b>Electrical data   Input</b>	
Input voltage AC	400 V
<b>Installation</b>	
Connection cross-section stranded/fine-stranded min.	0,5 mm <sup>2</sup>
<b>Installation   Connection</b>	
Connection information	Einzellitzen mit selbstsicherndem Gabelkabelschuh M4
Length single strands	250 mm
<b>Device protection   Media</b>	
Flame resistance	flame retardant
<b>Mechanical data   Material data</b>	
Combustibility class housing (UL94)	V-0
Material housing	Plastic
Material potting compound	2-component epoxy
<b>Mechanical data   Mounting data</b>	
Height	75 mm
Width	45 mm
Depth	42 mm
<b>Environmental characteristics   Climatic</b>	
Operating temperature min.	-20 °C
Operating temperature max.	60 °C