

## MOTOR SUPPRESSOR

Varistor, 3x400VAC/7,5kW

3× 400 V AC

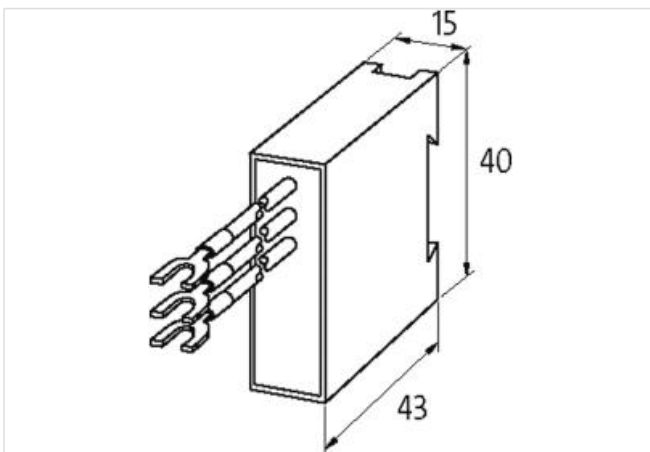
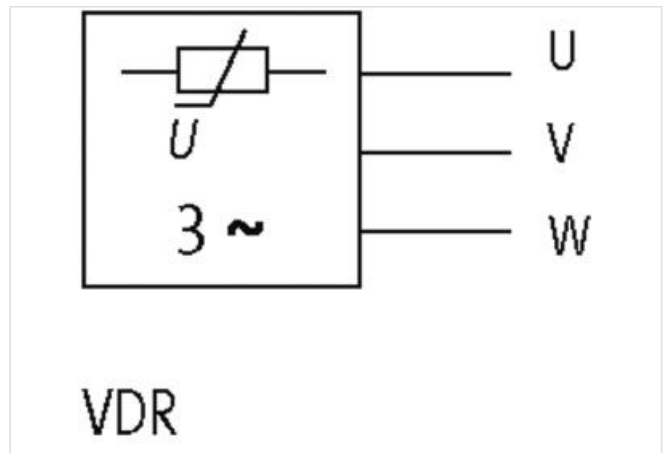
VDR

For DIN-rail mounting use Art.-No. 20900 adapter feet

Suppressors for other voltages, frequencies, and motor ratings available on request. Do not use RC motor suppressors with frequency inverters.

### [Link to Product](#)

#### Illustration



Product may differ from Image



#### Commercial data

ECLASS-6.0	27371013
ECLASS-6.1	27371013
ECLASS-7.0	27371013
ECLASS-8.0	27371013
ECLASS-9.0	27371013

ECLASS-10.1	27371013
ECLASS-11.1	27371013
ECLASS-12.0	27371013
ETIM-5.0	EC000197
customs tariff number	85363010
GTIN	4048879019262
Packaging unit	1

**Electrical data | Supply**

Power frequency	10 ... 400 Hz
-----------------	---------------

**Electrical data | Input**

Input voltage AC	400 V
------------------	-------

**Installation**

Connection cross-section stranded/fine-stranded min.	0,35 mm <sup>2</sup>
--	----------------------

**Installation | Connection**

Connection information	Einzellitzen mit selbstsicherndem Gabelkabelschuh M4
Length single strands	200 mm

**Device protection | Media**

Flame resistance	flame retardant
------------------	-----------------

**Mechanical data | Material data**

Combustibility class housing (UL94)	V-0
Material housing	Plastic
Material potting compound	2-component epoxy

**Mechanical data | Mounting data**

Mounting method	geschnappt
Suitable for mounting type	Mounting rail TH35, (EN 60715)
Height	43 mm
Width	15 mm
Depth	40 mm

**Environmental characteristics | Climatic**

Operating temperature min.	-20 °C
Operating temperature max.	60 °C