

MOTOR SUPPRESSOR

Varistor, 3x575VAC/10kW

3 × 575 V AC

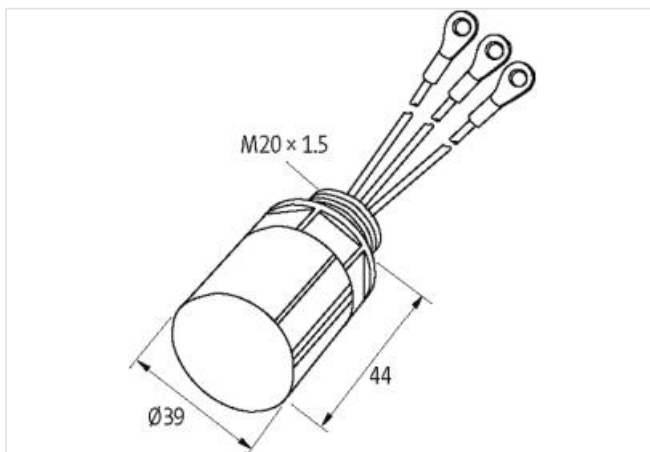
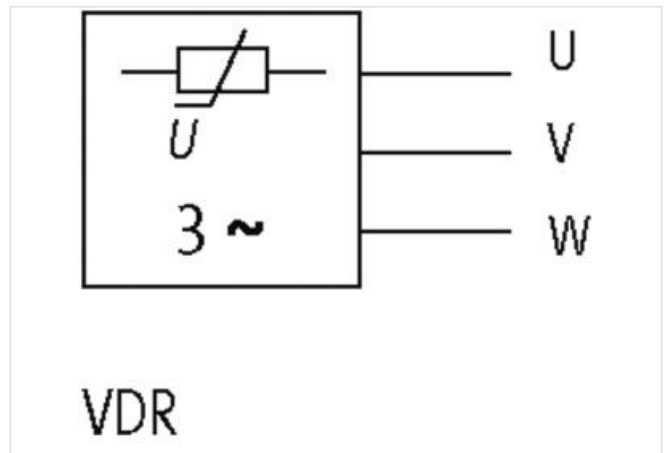
VDR

with (M20×1.5 mm) gland

Suppressors for other voltages, frequencies, and motor ratings available on request. Do not use RC motor suppressors with frequency inverters.

[Link to Product](#)

Illustration



Product may differ from Image



Commercial data

ECLASS-6.0	27371013
ECLASS-6.1	27371013
ECLASS-7.0	27371013
ECLASS-8.0	27371013
ECLASS-9.0	27371013

The information in this Product-PDF has been compiled with the utmost care.

Liability for the correctness completeness and topicality of the information is restricted to gross negligence. Version: 2024-05-14

Murrelektronik GmbH | Falkenstraße 3 | 71570 Oppenweiler | Fon +49 (71 91) 47-0 | Fax +49 (71 91) 47-491000 | shop@murrelektronik.de | shop.murrelektronik.de

ECLASS-10.1	27371013
ECLASS-11.1	27371013
ECLASS-12.0	27371013
ETIM-5.0	EC000197
customs tariff number	85363010
GTIN	4048879019101
Packaging unit	1

Electrical data | Input

Input voltage AC	575 V
------------------	-------

Installation

Connection cross section max.	1 mm ²
-------------------------------	-------------------

Installation | Connection

Connection information	Single strands
Length single strands	150 mm
Ring terminals	M6isolated

Device protection | Media

Flame resistance	flame retardant
------------------	-----------------

Mechanical data | Material data

Combustibility class housing (UL94)	V-0
Material housing	Plastic
Material potting compound	2-component epoxy

Mechanical data | Mounting data

Mounting method	inserted
Suitable for mounting type	Motorklemmkasten
Height	39 mm
Width	39 mm
Depth	44 mm

Environmental characteristics | Climatic

Operating temperature min.	-20 °C
Operating temperature max.	60 °C