

## MOTOR SUPPRESSOR

Varistor, 3x575VAC/4kW

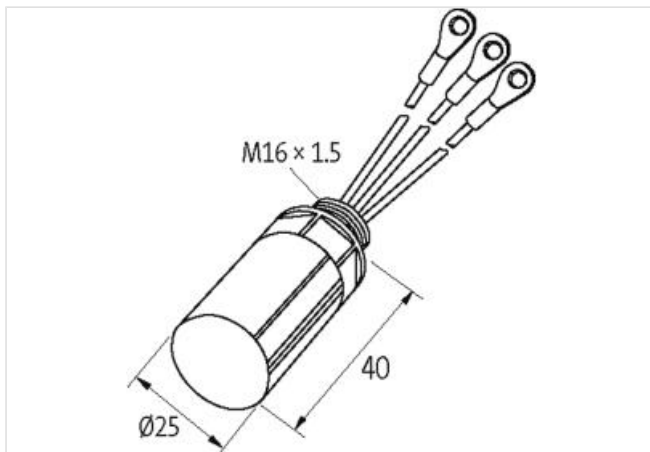
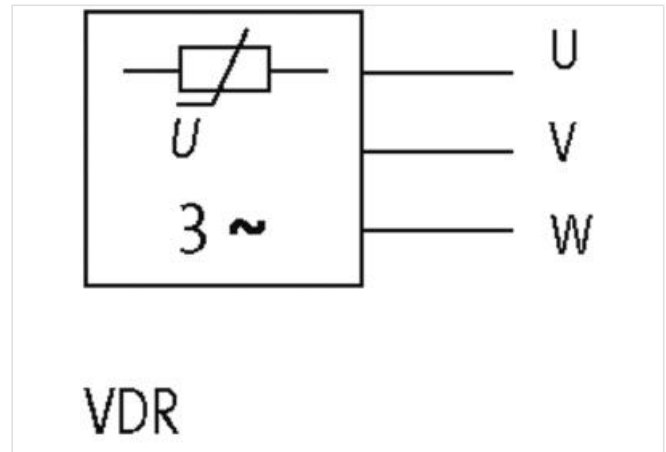
3 × 575 V AC

VDR

Suppressors for other voltages, frequencies, and motor ratings available on request. Do not use RC motor suppressors with frequency inverters.

### [Link to Product](#)

#### Illustration



Product may differ from Image



#### Commercial data

|             |          |
|-------------|----------|
| ECLASS-6.0  | 27371013 |
| ECLASS-6.1  | 27371013 |
| ECLASS-7.0  | 27371013 |
| ECLASS-8.0  | 27371013 |
| ECLASS-9.0  | 27371013 |
| ECLASS-10.1 | 27371013 |

|   |                     |
|---|---------------------|
| ECLASS-11.1                                     | 27371013            |
| ECLASS-12.0                                     | 27371013            |
| ETIM-5.0  | EC000197            |
| customs tariff number                           | 85363010            |
| GTIN  | 4048879018913       |
| Packaging unit                                  | 1                   |
| <b>Electrical data   Input</b>                  |                     |
| Input voltage AC                                | 575 V               |
| <b>Installation</b>                             |                     |
| Connection cross section max.                   | 0,5 mm <sup>2</sup> |
| <b>Installation   Connection</b>                |                     |
| Connection information                          | Single strands      |
| Length single strands                           | 100 mm              |
| Ring terminals                                  | M6isolated          |
| <b>Device protection   Media</b>                |                     |
| Flame resistance                                | flame retardant     |
| <b>Mechanical data   Material data</b>          |                     |
| Combustibility class housing (UL94)             | V-0                 |
| Material housing                                | Plastic             |
| Material potting compound                       | 2-component epoxy   |
| <b>Mechanical data   Mounting data</b>          |                     |
| Mounting method                                 | inserted            |
| Suitable for mounting type                      | Motorklemmkasten    |
| Height  | 25 mm               |
| Width   | 25 mm               |
| Depth   | 40 mm               |
| <b>Environmental characteristics   Climatic</b> |                     |
| Operating temperature min.                      | -20 °C              |
| Operating temperature max.                      | 60 °C               |