

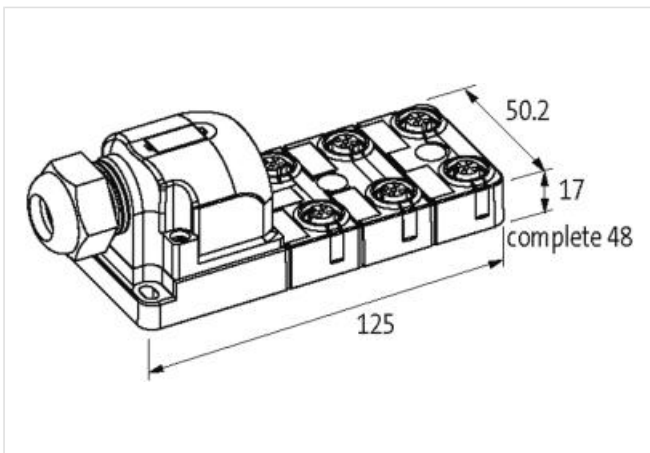
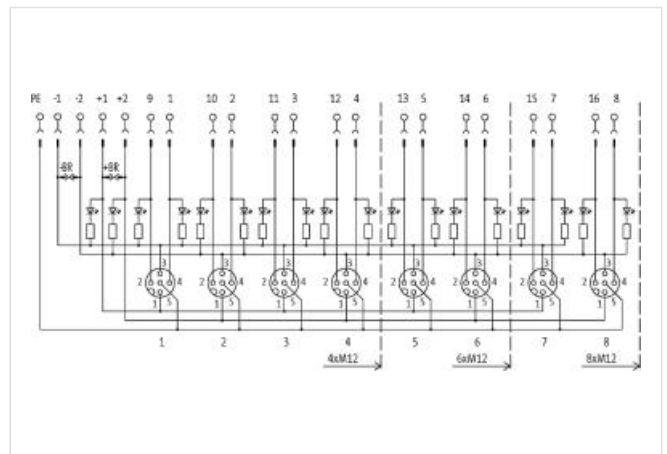
MVP12, 6XM12, 5POLE, PLUG. CAP SCT.

Plug. cap, field-wireable via screw terminals

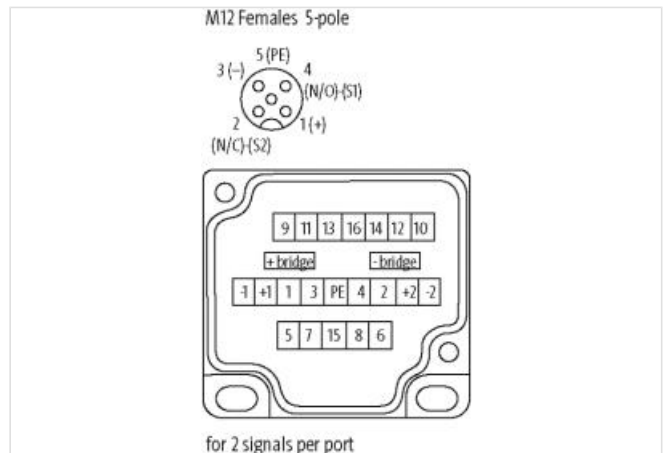
- 6-way, 5-pole
- Screw plug-in terminals
- Potential separation as option
- with LED for digital PNP-signals 24 V DC
- Plastic housings with good resistance against chemicals and oils.
- The resistance to aggressive media should be individually tested for your application. Further details on request.

[Link to Product](#)

Illustration



Product may differ from Image



Commercial data

ECLASS-6.0	27279219
ECLASS-6.1	27279219
ECLASS-7.0	27279219

ECLASS-8.0	27279219
ECLASS-9.0	27440108
ECLASS-10.1	27440111
ECLASS-11.1	27440111
ECLASS-12.0	27440111
ETIM-5.0	EC002585
customs tariff number	85369010
GTIN	4048879063296
Packaging unit	1

Electrical data | Supply

Operating voltage DC	24 V
Current operating per contact max.	4 A
Total current at 1 time current feed-in max.	8 A
Total current at 2 times current feed-in max.	16 A

Industrial communication

Number of signals per port	2
----------------------------	---

Installation

Connection cross section max.	1,5 mm ²
AWG number max.	16

Installation | Connection

Connection	Screw plug-in terminals
Mounting set	M12 x 1

Device protection | Electrical

Degree of protection (EN IEC 60529)	IP67
Additional condition protection degree	screwed, mounted

Device protection | Media

Flame resistance	flame retardant
------------------	-----------------

Mechanical data | Material data

Material housing	Plastic
------------------	---------

Mechanical data | Mounting data

Mounting method	Schraubgewinde
Height	125 mm
Width	50,2 mm
Depth	17 mm

Environmental characteristics | Climatic

Operating temperature min.	-20 °C
Operating temperature max.	80 °C

Connection type 2

Family construction form	Cap
No. of poles	21
Family construction form	M12
Gender	female
Color contact carrier	black
Coding	A
No. of poles	5
PIN 1	24 V DC
PIN 2	S 2
PIN 3	0 V
PIN 4	S 1
PIN 5	PE