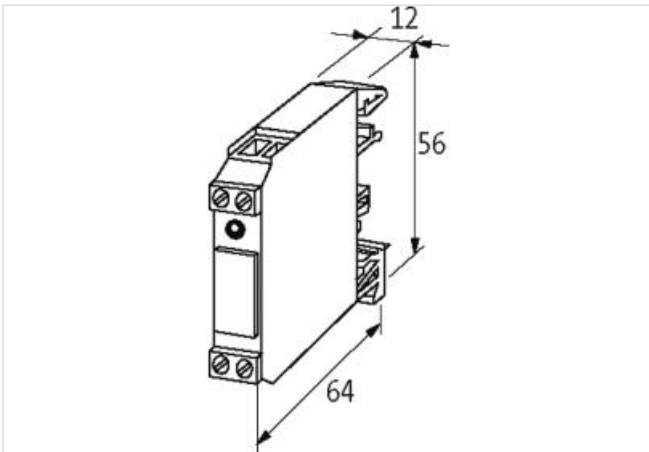
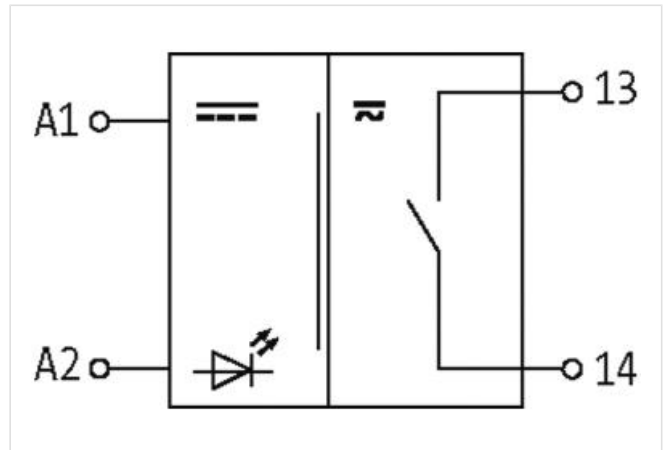


**RMM 11/24 OUTPUT RELAY**

IN: 24 VAC/DC - OUT: 250 VAC/DC / 5 A

1 relay; 1 NO contact  
 5 A  
 24 V AC/DC  
 Screw terminals

[Link to Product](#)**Illustration**

Product may differ from Image

**Commercial data**

ECLASS-6.0	27371001
ECLASS-6.1	27371601
ECLASS-7.0	27371601
ECLASS-8.0	27371601
ECLASS-9.0	27371601
ECLASS-10.1	27371601

ECLASS-11.1	27371601
ECLASS-12.0	27371601
ETIM-5.0	EC001437
customs tariff number	85364900
GTIN	4048879027496
Packaging unit	1

**Electrical data | Input**

Input voltage AC	24 V
Input voltage AC min.	19,2 V
Input voltage AC max.	30 V
Input voltage DC	24 V
Input voltage DC min.	19,2 V
Input voltage DC max.	30 V
Input current	15 mA

**Electrical data | Output**

Utilization category AC-15 (EN IEC 60947-5-1)	3 A @ 24 V, 3 A @ 110 V, 3 A @ 230 V
Utilization category DC-13 (EN IEC 60947-5-1)	1,5 A @ 24 V, 0,3 A @ 110 V, 0,15 A @ 230 V
Switching frequency max.	10 Hz
Power rating AC max.	1250 VA
Power rating DC max.	240 W
Switching voltage AC max.	250 V
Switching voltage DC max.	250 V
Switching current DC	100 mA
Switching current max.	5 A
Switching capacity AC-12 (EN IEC 60947-5-1)	5 A (24/110/230 V AC)

**Diagnostics**

Status indication LED	red
-----------------------	-----

**Device protection**

Condition lifetime	load-dependent
--------------------	----------------

**Device protection | Electrical**

Rated surge voltage	4 kV
Electrical lifetime	20000000 Cycles

**Device protection | Mechanical**

Mechanical endurance	20000000 Cycles
----------------------	-----------------

**Mechanical data**

Drop-out time max.	15 ms
Response time max.	10 ms
Bounce time max.	1,5 ms

**Mechanical data | Material data**

Material contact	Ag Ni 0.15 hv, Ag hv
------------------	----------------------

**Mechanical data | Mounting data**

Mounting method	geschnappt
Suitable for mounting type	Mounting rail TH35, G32, (EN 60715)
Height	56 mm
Width	12 mm
Depth	65 mm

**Environmental characteristics | Climatic**

Operating temperature min.	-20 °C
Operating temperature max.	50 °C

**Connection type 2**

Connection	Screw terminals SK
Family construction form	terminal
Gender	female
No. of poles	2
PIN 1	13
PIN 2	14
Connection	Screw terminals SK
Family construction form	terminal
Gender	female
No. of poles	2
PIN 1	A 1
PIN 2	A 2