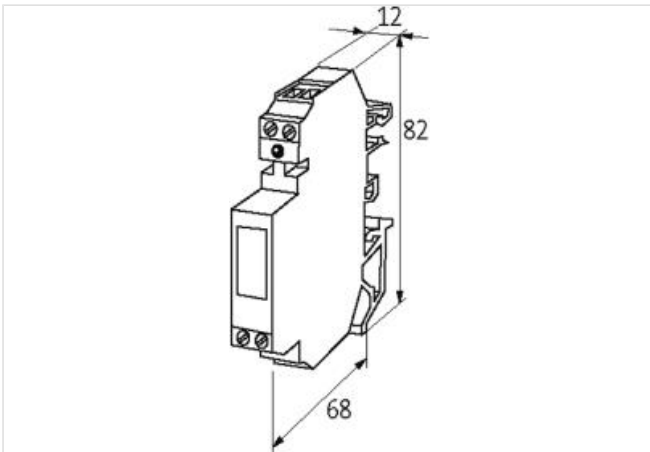
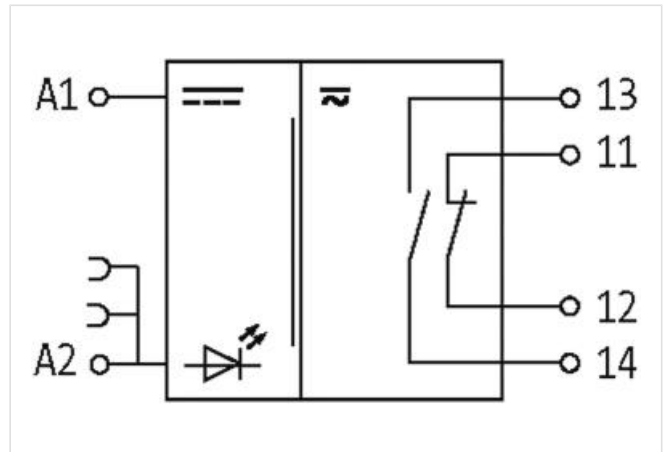


RMMD 1S+1V24VDC INPUT RELAY

IN: 24 VDC - OUT: 250 VAC/DC / 3 A

1 relay; 1 NO contact/1 NC contact
 3 A
 24 V DC
 Screw terminals

[Link to Product](#)**Illustration**

Product may differ from Image

**General product information**

Scope of delivery Jumper (Art-No. 90960)

Commercial data

ECLASS-6.0	27371601
ECLASS-6.1	27371601
ECLASS-7.0	27371601

ECLASS-8.0	27371601
ECLASS-9.0	27371601
ECLASS-10.1	27371601
ECLASS-11.1	27371601
ECLASS-12.0	27371601
ETIM-5.0	EC001437
customs tariff number	85364900
GTIN	4048879024846
Packaging unit	1

Electrical data | Input

Input voltage DC	24 V
Input voltage DC min.	17,5 V
Input voltage DC max.	30 V
Input current	14 mA

Electrical data | Output

Utilization category DC-13 (EN IEC 60947-5-1)	0,8 A @ 24 V, 0,01 A @ 230 V
Switching frequency max.	10 Hz
Power rating AC max.	500 VA
Power rating DC max.	180 W
Switching voltage AC max.	250 V
Switching voltage DC max.	250 V
Switching current DC	1 mA
Switching current max.	3 A
Switching capacity AC-12 (EN IEC 60947-5-1)	3 A (24 V AC); 2 A (230 V AC)
Switching capacity AC-15 (EN IEC 60947-5-1)	1 A (24 V AC); 0.1 A (230 V AC)

Diagnostics

Status indication LED	red
-----------------------	-----

Device protection

Condition lifetime	load-dependent
--------------------	----------------

Device protection | Electrical

Rated surge voltage	2,5 kV
Electrical lifetime	20000000 Cycles

Device protection | Mechanical

Mechanical endurance	20000000 Cycles
----------------------	-----------------

Mechanical data

Drop-out time max.	3 ms
Response time max.	6 ms
Bounce time max.	2 ms

Mechanical data | Material data

Material contact	Ag Ni 0.15 hv
------------------	---------------

Mechanical data | Mounting data

Mounting method	geschnappt
Suitable for mounting type	Mounting rail TH35, G32, (EN 60715)
Height	82 mm
Width	12 mm
Depth	68 mm

Environmental characteristics | Climatic

Operating temperature min.	-20 °C
Operating temperature max.	60 °C

Connection type 3

Connection	Screw terminals SK
Family construction form	terminal
Gender	female
No. of poles	2
PIN 1	11
PIN 2	13
Connection	Screw terminals SK
Family construction form	terminal
Gender	female
No. of poles	2
PIN 1	12
PIN 2	14
Connection	Screw terminals SK
Family construction form	terminal
Gender	female
No. of poles	2
PIN 1	+ A 1
PIN 2	- A 2