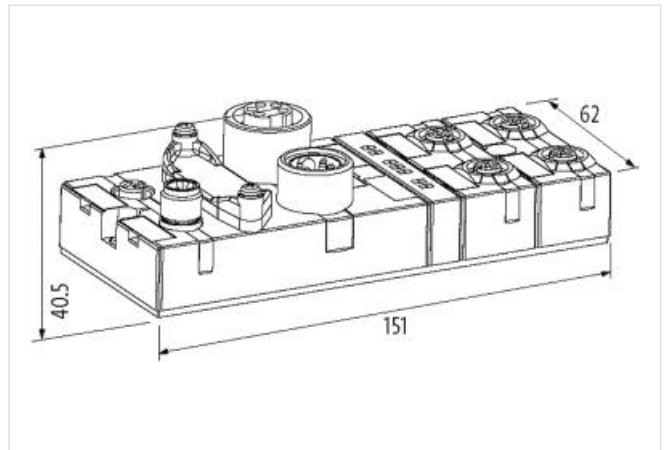


CUBE67+ BUSNODE

Profibus DP

Cube67+
PROFIBUS DPConnection cables are in the online shop under "Connection Technology".
Housing fully potted.[Link to Product](#)**Illustration**

Product may differ from Image

**Commercial data**

ECLASS-6.0	27242608
ECLASS-6.1	27242608
ECLASS-7.0	27242608
ECLASS-8.0	27242608
ECLASS-9.0	27242608
ECLASS-10.1	27242608
ECLASS-11.1	27242608
ECLASS-12.0	27242608
ETIM-5.0	EC001604
customs tariff number	85389099
GTIN	4048879048620
Packaging unit	1

Electrical data | Supply

Operating voltage DC	24 V
Current consumption max.	120 mA
Total current UA max.	8 A
Total current US max.	8 A

Industrial communication | Bus data

Address range outputs max.	244 Bytes
Address range inputs max.	244 Bytes

Address range min.	0
Address range max.	99
Address setting type	Rotary switch
Industrial communication IO-Link	
Number of IO-Link master ports max.	12
Diagnostics	
Diagnostic	No voltage, Under voltage
Diagnostic via BUS	per module and channel
Diagnostic via LED	per module and channel
Short circuit diagnosis	yes
LED display	Ethernet connection/data traffic
Overload diagnosis	yes
Device protection Electrical	
Degree of protection (EN IEC 60529)	IP67
Mechanical data	
Number extension modules max.	32
Mechanical data Mounting data	
Suitable for mounting type	2-hole screw mounting
Height	151 mm
Width	62 mm
Depth	40,5 mm
Environmental characteristics Climatic	
Operating temperature min.	0 °C
Operating temperature max.	55 °C
Storage temperature min.	-20 °C
Storage temperature max.	75 °C
Conformity	
Product standard	EN 61131-2
Connection type 5	
Connection type 1	Bus In
Connection type 2	Bus Out
Connection type 3	Internal system connection
Connection type 4	Power In
Connection type 5	Power Out
Family construction form	M12
Gender	male
Color contact carrier	black
Coding	B
No. of poles	5
PIN 1	5 V
PIN 2	Cable A (GN)
PIN 3	0 V
PIN 4	Cable B (RD)
PIN 5	n.c.
Family construction form	M12
Gender	female
Color contact carrier	black
Coding	B
No. of poles	5
PIN 1	5 V
PIN 2	Cable A (GN)

PIN 3	0 V
PIN 4	Cable B (RD)
PIN 5	n.c.
Family construction form	M12
Gender	female
Color contact carrier	black
Coding	A
No. of poles	6
PIN 1	24 V DC (UA)
PIN 2	24 V DC (US)
PIN 3	0 V
PIN 4	Bus internal
PIN 5	Bus internal
PIN 6	0 V
Family construction form	7/8"
Gender	male
Color contact carrier	black
No. of poles	5
PIN 1	0 V
PIN 2	0 V
PIN 3	PE
PIN 4	24 V DC (US)
PIN 5	24 V DC (UA)
Family construction form	7/8"
Gender	female
Color contact carrier	black
No. of poles	5
PIN 1	0 V
PIN 2	0 V
PIN 3	PE
PIN 4	24 V DC (US)
PIN 5	24 V DC (UA)