

SVS VALVE PLUG FORM A 18MM FIELD-WIREABLE

24...230V LED M16x1.5

Form A (18 mm) for pressure switch

24...230 V AC/DC

LED yellow (3)

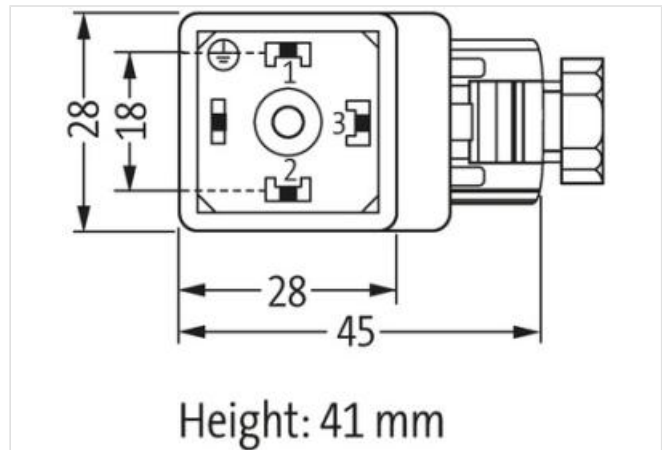
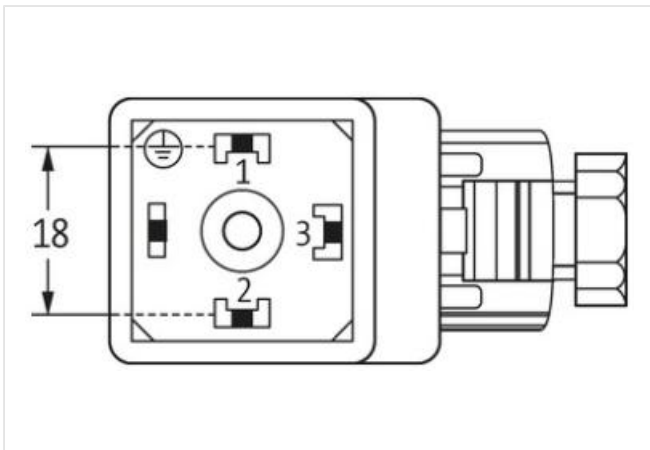
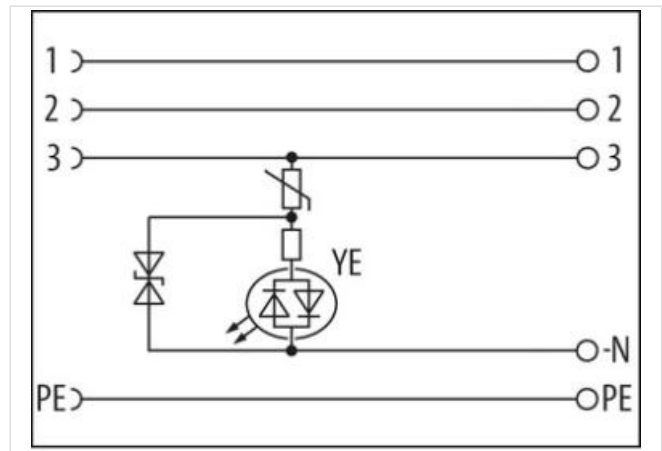
metric

Plastic housings with good resistance against chemicals and oils.

The resistance to aggressive media should be individually tested for your application. Further details on request.

[Link to Product](#)

Illustration



Product may differ from Image



Side 1

Degree of protection (EN IEC 60529)

IP65

Commercial data

ECLASS-6.0

27279221

ECLASS-7.0	27440104
ECLASS-8.0	27440104
ECLASS-9.0	27440102
ECLASS-10.1	27440105
ECLASS-11.1	27440105
ECLASS-12.0	27440105
ETIM-5.0	EC002062
customs tariff number	85366990
GTIN	4048879187466
Packaging unit	1

Electrical data | Supply

Operating voltage AC min.	24 V
Operating voltage AC max.	230 V
Operating voltage DC min.	24 V
Operating voltage DC max.	230 V
Current operating per contact max.	4 A

Diagnostics

Status indication LED	yellow
-----------------------	--------

Installation

Connection cross section max.	1,5 mm ²
-------------------------------	---------------------

Installation | Connection

Tightening torque	0,4 Nm
Mounting set	M16 x 1.5

Installation | Pin assignment

No. of poles	3 + PE
--------------	--------

Device protection | Electrical

Additional condition protection degree	inserted, screwed
Pollution Degree	2
Rated surge voltage	4 kV
Material group (IEC 60664-1)	III

Mechanical data | Mounting data

fastening screw	M3
Clamping range min.	5 mm
Clamping range max.	10 mm

Environmental characteristics | Climatic

Operating temperature min.	-20 °C
Operating temperature max.	60 °C

Important installation notes

Note on strain relief	Protect the connectors by suitable measures from mechanical loads, e.g. by the usage of cable ties.
Note on bending radius	Attention: Observe the permissible bending radii when laying cables, as the IP protection class can be endangered by excessive bending forces.