

MVP12, 4XM12, UNIVERSAL

Universal distr.box, pins 1:1 to term.

4-way UNIVERSAL

Spring clamp plug-in terminals

all 5 contacts of the M12 females separately carried on terminals

Replaces identical product (Art.No. 277303)

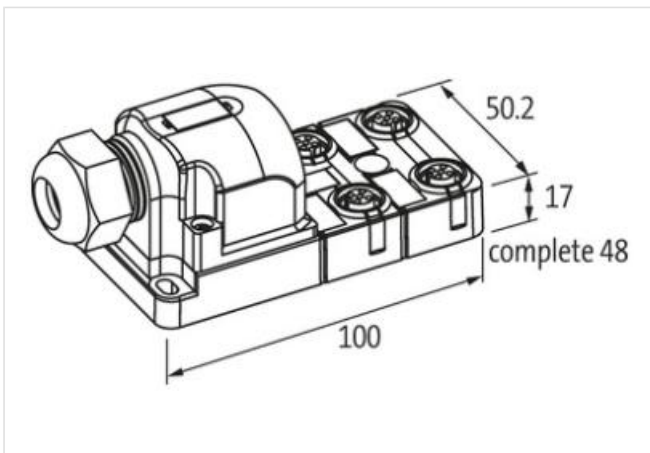
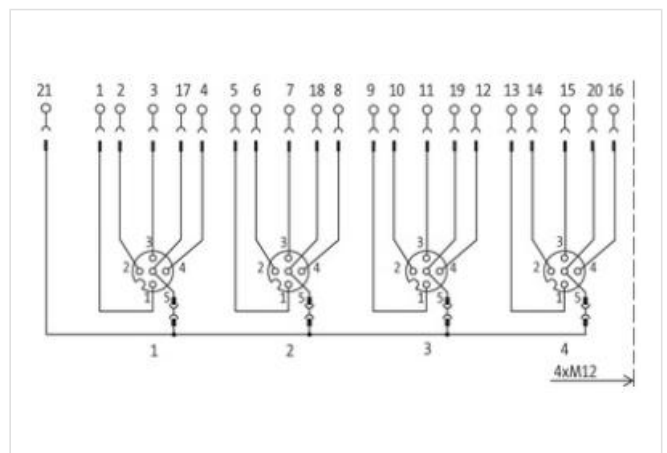
Separation contact 5 possible by removable plug links

Plastic housings with good resistance against chemicals and oils.

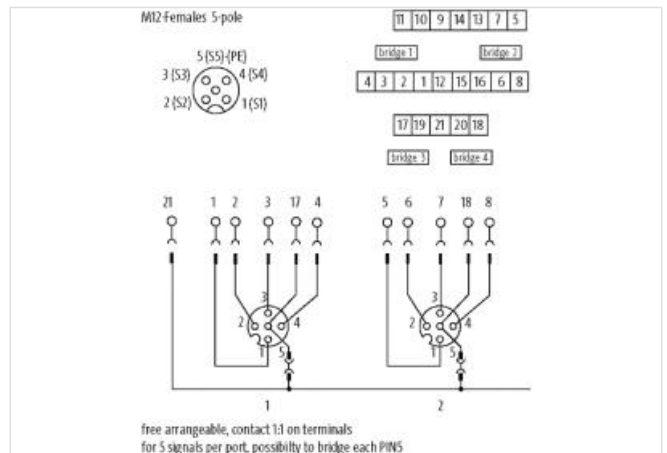
The resistance to aggressive media should be individually tested for your application. Further details on request.

[Link to Product](#)

Illustration



Product may differ from Image



Commercial data

ECLASS-6.0	27279219
ECLASS-6.1	27279219
ECLASS-7.0	27279219

ECLASS-8.0	27279219
ECLASS-9.0	27440108
ECLASS-10.1	27440111
ECLASS-11.1	27440111
ECLASS-12.0	27440111
ETIM-5.0	EC002585
customs tariff number	85369010
GTIN	4048879353366
Packaging unit	1

Electrical data | Supply

Operating voltage AC max.	42 V
Operating voltage DC max.	42 V
Current operating per contact max.	4 A
Total current max.	8 A

Installation

Connection cross section max.	1,5 mm ²
AWG number max.	16

Installation | Connection

Connection	Spring clamp terminals FK
------------	---------------------------

Device protection | Electrical

Degree of protection (EN IEC 60529)	IP65, IP67
-------------------------------------	------------

Device protection | Media

Flame resistance	flame retardant
------------------	-----------------

Mechanical data | Material data

Material housing	Plastic
------------------	---------

Environmental characteristics | Climatic

Operating temperature min.	-20 °C
Operating temperature max.	80 °C

Connection type 2

Family construction form	Cap
No. of poles	21
PIN 1	Bu 1 Pin 1
PIN 2	Bu 1 Pin 2
PIN 3	Bu 1 Pin 3
PIN 4	Bu 1 Pin 4
PIN 5	Bu 2 Pin 1
PIN 6	Bu 2 Pin 2
PIN 7	Bu 2 Pin 3
PIN 8	Bu 2 Pin 4
PIN 9	Bu 3 Pin 1
PIN 10	Bu 3 Pin 2
PIN 11	Bu 3 Pin 3
PIN 12	Bu 3 Pin 4
PIN 13	Bu 4 Pin 1
PIN 14	Bu 4 Pin 2
PIN 15	Bu 4 Pin 3
PIN 16	Bu 4 Pin 4
PIN 17	Bu 1 Pin 5
PIN 18	Bu 2 Pin 5
PIN 19	Bu 3 Pin 5
PIN 20	Bu 4 Pin 5

PIN 21	Br 1 - Br 4
Family construction form	M12
Gender	female
Color contact carrier	black
Coding	A
No. of poles	5