

### EXACT8, 10XM8, 3 POLE

Conn.M12 12 pole

10-way, 3-pole

M12 (12-pole)

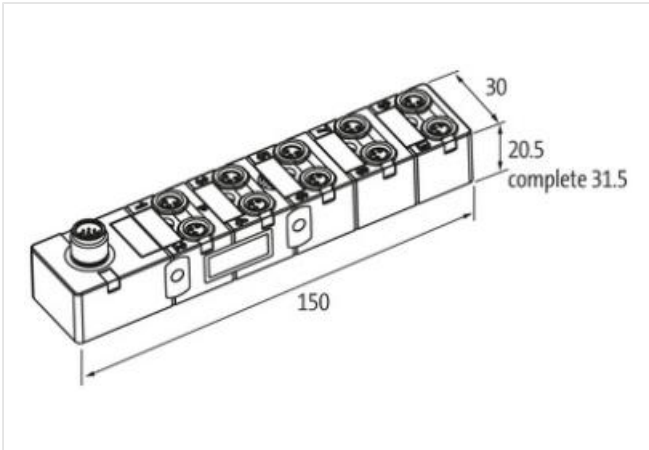
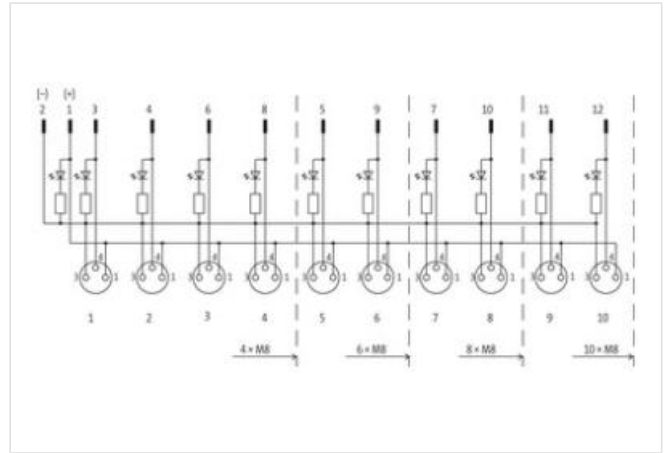
Inline face or side mounting

Plastic housings with good resistance against chemicals and oils.

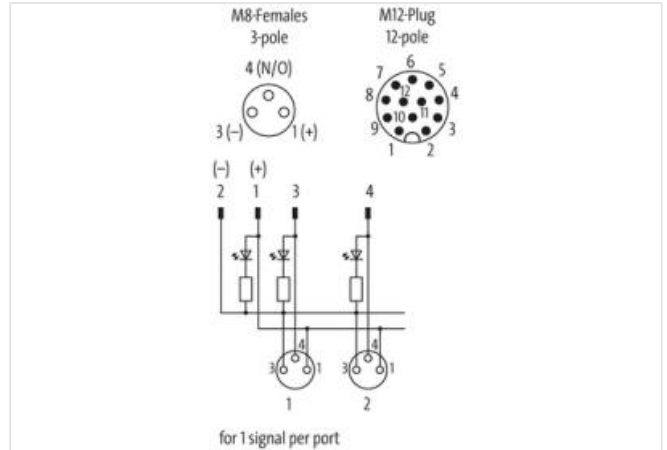
The resistance to aggressive media should be individually tested for your application. Further details on request.

#### Link to Product

##### Illustration



Product may differ from Image



##### Commercial data

|            |          |
|------------|----------|
| ECLASS-6.0 | 27279219 |
| ECLASS-6.1 | 27279219 |
| ECLASS-7.0 | 27279219 |
| ECLASS-8.0 | 27279219 |

|                       |               |
|-----------------------|---------------|
| ECLASS-9.0            | 27440108      |
| ECLASS-10.1           | 27440111      |
| ECLASS-11.1           | 27440111      |
| ECLASS-12.0           | 27440111      |
| ETIM-5.0              | EC002585      |
| customs tariff number | 85369010      |
| GTIN                  | 4048879056731 |
| Packaging unit        | 1             |

**Electrical data | Supply**

|                                    |       |
|------------------------------------|-------|
| Operating voltage DC               | 24 V  |
| Current operating per contact max. | 1,5 A |

**Device protection | Electrical**

|  |                  |
|--|------------------|
| Degree of protection (EN IEC 60529)    | IP67             |
| Additional condition protection degree | screwed, mounted |

**Device protection | Media**

|                  |                 |
|------------------|-----------------|
| Flame resistance | flame retardant |
|------------------|-----------------|

**Mechanical data | Material data**

|                  |         |
|------------------|---------|
| Material housing | Plastic |
|------------------|---------|

**Environmental characteristics | Climatic**

|  |                            |
|--|----------------------------|
| Operating temperature min.             | -20 °C                     |
| Operating temperature max.             | 70 °C                      |
| Additional condition temperature range | depending on cable quality |

**Connection type 2**

|                          |         |
|--------------------------|---------|
| Family construction form | M23     |
| Gender                   | male    |
| Color contact carrier    | black   |
| Coding                   | A       |
| No. of poles             | 12      |
| PIN 1                    | BN      |
| PIN 2                    | BU      |
| PIN 3                    | WH      |
| PIN 4                    | GN      |
| PIN 5                    | PK      |
| PIN 6                    | YE      |
| PIN 7                    | BK      |
| PIN 8                    | GY      |
| PIN 9                    | RD      |
| PIN 10                   | VT      |
| PIN 11                   | GY / PK |
| PIN 12                   | RD / BU |
| Family construction form | M8      |
| Gender                   | female  |
| Color contact carrier    | black   |
| Coding                   | A       |
| No. of poles             | 3       |
| PIN 1                    | 24 V DC |
| PIN 3                    | 0 V     |
| PIN 4                    | S       |