

**EXACT8, 4XM8, 4 POLE**

Conn.M12 12 pole

4-way, 4-pole

M12 (12-pole)

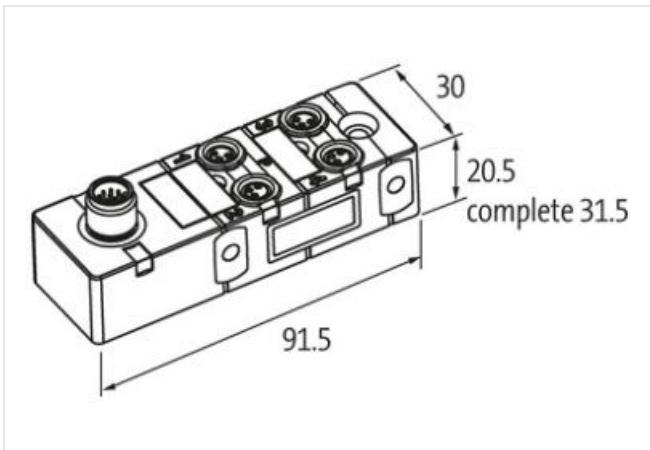
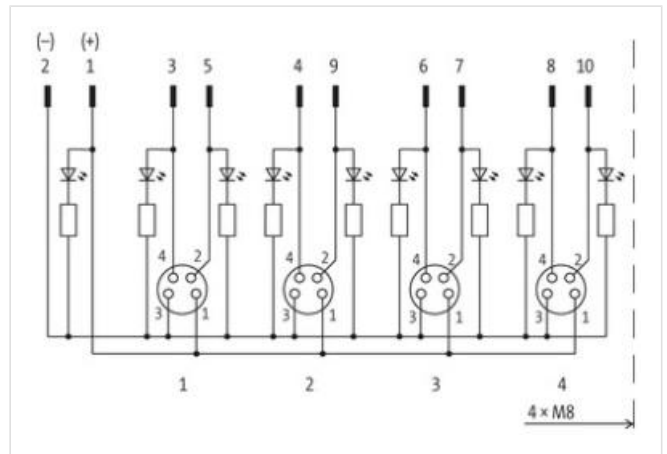
Inline face or side mounting

Plastic housings with good resistance against chemicals and oils.

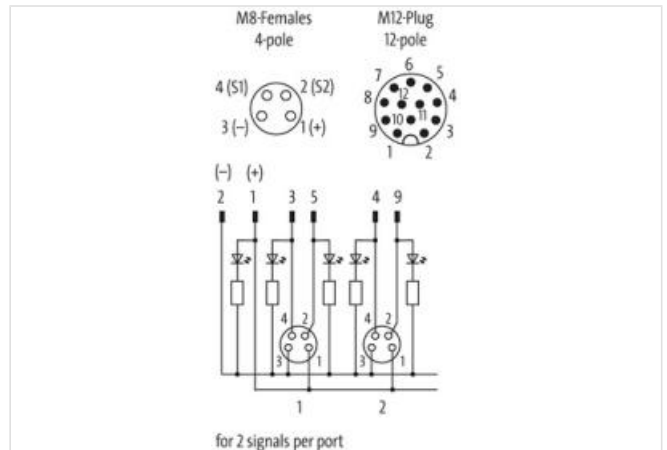
The resistance to aggressive media should be individually tested for your application. Further details on request.

[Link to Product](#)

**Illustration**



Product may differ from Image



**Commercial data**

ECLASS-6.0	27279219
ECLASS-6.1	27279219
ECLASS-7.0	27279219
ECLASS-8.0	27279219

ECLASS-9.0	27440108
ECLASS-10.1	27440111
ECLASS-11.1	27440111
ECLASS-12.0	27440111
ETIM-5.0	EC002585
customs tariff number	85369010
GTIN	4048879056090
Packaging unit	1

**Electrical data | Supply**

Operating voltage DC	24 V
Current operating per contact max.	1,5 A

**Device protection | Electrical**

Degree of protection (EN IEC 60529)	IP67
Additional condition protection degree	screwed, mounted

**Device protection | Media**

Flame resistance	flame retardant
------------------	-----------------

**Mechanical data | Material data**

Material housing	Plastic
------------------	---------

**Environmental characteristics | Climatic**

Operating temperature min.	-20 °C
Operating temperature max.	70 °C
Additional condition temperature range	depending on cable quality

**Connection type 1**

Family construction form	M12
Gender	male
Color contact carrier	black
Coding	A
No. of poles	12
PIN 1	BN
PIN 2	BU
PIN 3	WH
PIN 4	GN
PIN 5	PK
PIN 6	YE
PIN 7	BK
PIN 8	GY
PIN 9	RD
PIN 10	VT
PIN 11	GY / PK
PIN 12	RD / BU