

EXACT8, 6XM8, 3 POLE

Conn.M12 12 pole

6-way, 3-pole

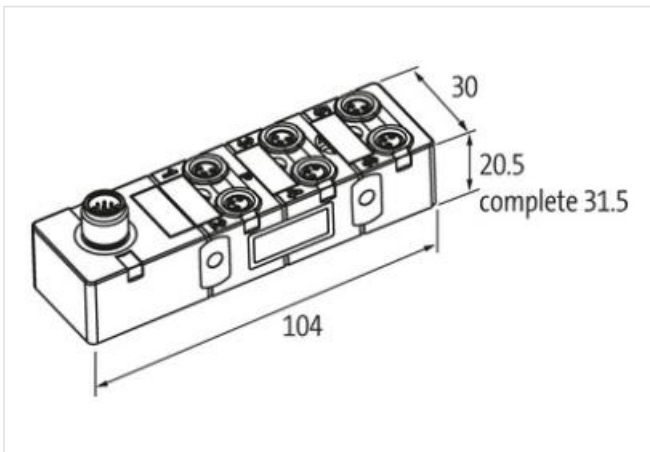
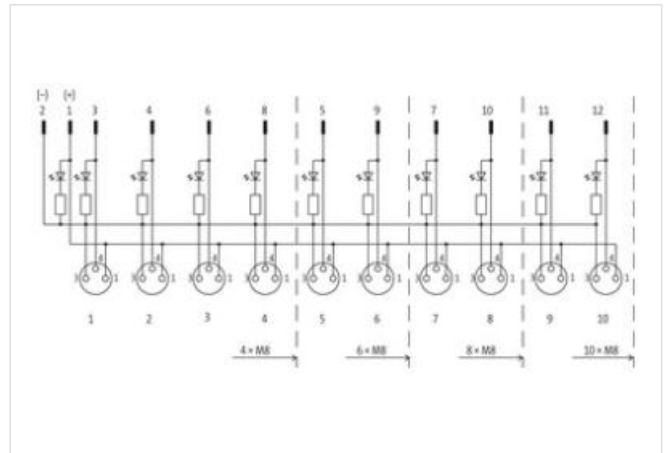
Inline face or side mounting

Plastic housings with good resistance against chemicals and oils.

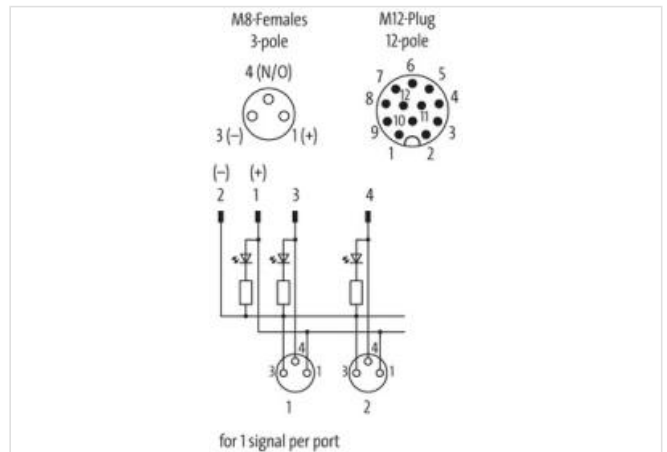
The resistance to aggressive media should be individually tested for your application. Further details on request.

Link to Product

Illustration



Product may differ from Image



Commercial data

ECLASS-6.0	27143423
ECLASS-6.1	27279219
ECLASS-7.0	27279219
ECLASS-8.0	27279219
ECLASS-9.0	27440111

ECLASS-10.1	27440111
ECLASS-11.1	27440111
ECLASS-12.0	27440111
ETIM-5.0	EC002585
customs tariff number	85369010
GTIN	4048879055024
Packaging unit	1

Electrical data | Supply

Operating voltage DC	24 V
Current operating per contact max.	1,5 A

Device protection | Electrical

Degree of protection (EN IEC 60529)	IP67
Additional condition protection degree	screwed, mounted

Device protection | Media

Flame resistance	flame retardant
------------------	-----------------

Mechanical data | Material data

Material housing	Plastic
------------------	---------

Environmental characteristics | Climatic

Operating temperature min.	-20 °C
Operating temperature max.	70 °C
Additional condition temperature range	depending on cable quality

Connection type 2

Family construction form	M12
Gender	male
Color contact carrier	black
Coding	A
No. of poles	12
PIN 1	24 V DC
PIN 2	0 V
PIN 3	S 1
PIN 4	S 2
PIN 5	S 3
PIN 6	S 4
PIN 7	S 5
PIN 8	S 6
PIN 9	S 7
PIN 10	S 8
PIN 11	S 9
PIN 12	S 10
Family construction form	M8
Gender	female
Color contact carrier	black
Coding	A
No. of poles	3
PIN 1	24 V DC
PIN 3	-
PIN 4	S