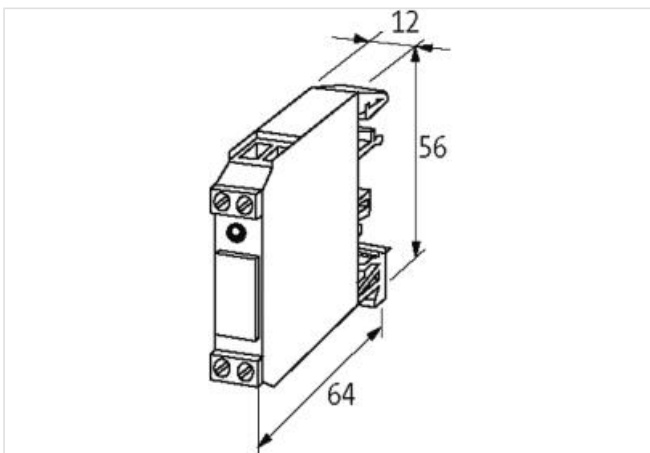
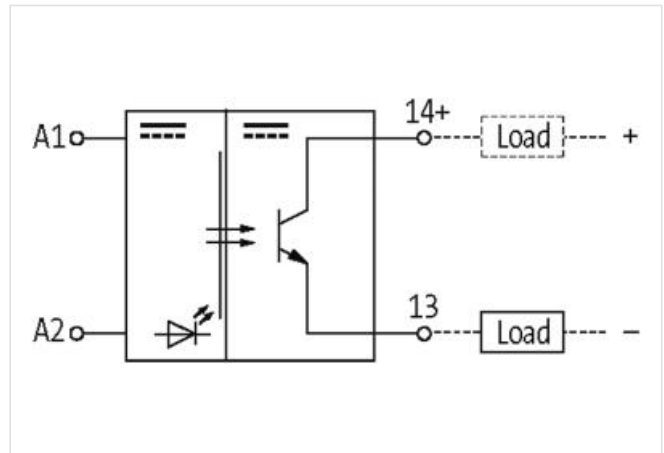


**AMMS 10-44/1 OPTO-COUPLER MODULE**

IN: 53 VDC - OUT: 53 VDC / 1,2 A

Transistor 1.2 A  
24 V DC[Link to Product](#)**Illustration**

Product may differ from Image

**Commercial data**

ECLASS-6.0	27371604
ECLASS-6.1	27371604
ECLASS-7.0	27371604
ECLASS-8.0	27371604
ECLASS-9.0	27371604
ECLASS-10.1	27371604
ECLASS-11.1	27371604
ECLASS-12.0	27371604

ETIM-5.0	EC001504
customs tariff number	85414900
GTIN	4048879028059
Packaging unit	1
<b>Electrical data   Input</b>	
Input voltage OFF DC min.	0 V
Input voltage OFF DC max.	3 V
Input voltage DC min.	10 V
Input voltage DC max.	53 V
Input current	6 mA
<b>Electrical data   Output</b>	
Switch off delay max.	700 µs
Quiescent current OFF max.	0,3 mA
Switching frequency inductive max.	30 Hz
Switching frequency ohmic max.	500 Hz
Voltage switching DC min.	4,5 V
Switching voltage DC max.	53 V
Switching current min.	1 mA
Switching current max.	1,2 A
Voltage drop DC max.	1,2 V
<b>Diagnostics</b>	
Status indication LED	red
<b>Device protection   Electrical</b>	
Rated insulation voltage	3750 V
<b>Device protection   Media</b>	
Flame resistance	flame retardant
<b>Mechanical data   Material data</b>	
Color housing	black
Material housing	Plastic
<b>Mechanical data   Mounting data</b>	
Mounting method	geschnappt
Suitable for mounting type	Mounting rail TH35, G32, (EN 60715)
Height	56 mm
Width	12 mm
Depth	64 mm
<b>Environmental characteristics   Climatic</b>	
Operating temperature min.	-20 °C
Operating temperature max.	60 °C
<b>Connection type 2</b>	
Connection type 1	Input
Connection type 2	Output
Connection	Screw terminals SK
Family construction form	terminal
Gender	female
No. of poles	2
PIN 1	A 1
PIN 2	A 2
Connection	Screw terminals SK
Family construction form	terminal
Gender	female
No. of poles	2

PIN 1	13
PIN 2	+ 14

---