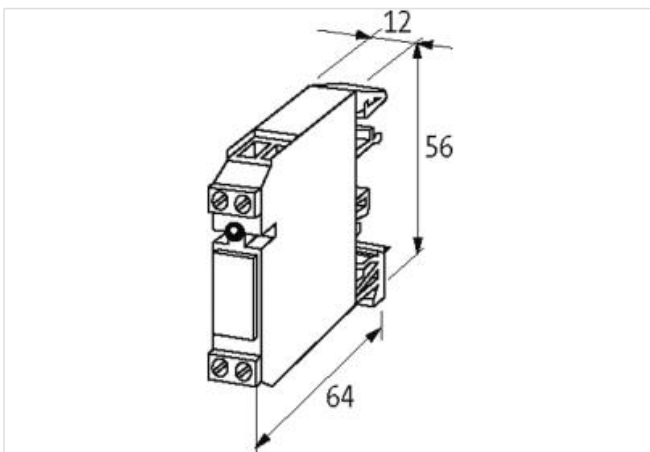
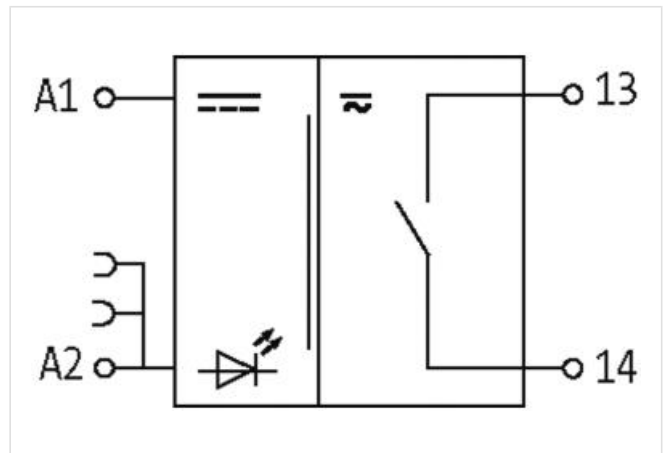


RMM 11/24VDC WITH GROUND BRIDGE OUTPUT RELAY

IN: 24 VAC/DC - OUT: 250 VAC/DC / 5 A

1 relay; 1 NO contact
 5 A
 24 V AC/DC
 with minus plug link
 Screw terminals

[Link to Product](#)**Illustration**

Product may differ from Image

**General product information**

Scope of delivery Jumper (Art-No. 90960)

Commercial data

ECLASS-6.0	27371001
ECLASS-6.1	27371601
ECLASS-7.0	27371601

ECLASS-8.0	27371601
ECLASS-9.0	27371601
ECLASS-10.1	27371601
ECLASS-11.1	27371601
ECLASS-12.0	27371601
ETIM-5.0	EC001437
customs tariff number	85364900
GTIN	4048879027342
Packaging unit	1

Electrical data | Input

Input voltage AC	24 V
Input voltage AC min.	19,2 V
Input voltage AC max.	30 V
Input voltage DC	24 V
Input voltage DC min.	19,2 V
Input voltage DC max.	30 V
Input current	15 mA

Electrical data | Output

Utilization category AC-15 (EN IEC 60947-5-1)	3 A @ 24 V, 3 A @ 110 V, 3 A @ 230 V
Utilization category DC-13 (EN IEC 60947-5-1)	1,5 A @ 24 V, 0,3 A @ 110 V, 0,15 A @ 230 V
Switching frequency max.	10 Hz
Power rating AC max.	1250 VA
Power rating DC max.	240 W
Switching voltage AC max.	250 V
Switching voltage DC max.	250 V
Switching current DC	100 mA
Switching current max.	5 A
Switching capacity AC-12 (EN IEC 60947-5-1)	5 A (24/110/230 V AC)

Diagnostics

Status indication LED	red
-----------------------	-----

Device protection

Condition lifetime	load-dependent
--------------------	----------------

Device protection | Electrical

Rated surge voltage	4 kV
Electrical lifetime	10000000 Cycles

Device protection | Mechanical

Mechanical endurance	10000000 Cycles
----------------------	-----------------

Mechanical data

Drop-out time max.	15 ms
Response time max.	10 ms
Bounce time max.	1,5 ms

Mechanical data | Material data

Material contact	Ag Ni 0.15 hv
------------------	---------------

Mechanical data | Mounting data

Mounting method	geschnappt
Suitable for mounting type	Mounting rail TH35, G32, (EN 60715)
Height	56 mm
Width	12 mm
Depth	65 mm

Environmental characteristics | Climatic

Operating temperature min.	-25 °C
Operating temperature max.	60 °C
Storage temperature min.	-40 °C
Storage temperature max.	80 °C

Connection type 2

Connection type 1	X1
Connection type 2	X2
Connection	Screw terminals SK
Family construction form	terminal
Gender	female
Color contact carrier	green
No. of poles	2
PIN 1	A 2
PIN 2	A 1
Connection	Screw terminals SK
Family construction form	terminal
Gender	female
Color contact carrier	green
No. of poles	2
PIN 1	13
PIN 2	14