

STEP3-PS/1AC/48DC/2.5/PT - Power supply unit



1285035

<https://www.phoenixcontact.com/de/produkte/1285035>

Please be informed that the data shown in this PDF document is generated from our online catalog. Please find the complete data in the user documentation. Our general terms of use for downloads are valid.



Primary-switched power supply unit, STEP POWER, Push-in connection, DIN rail or direct mounting, input: 1-phase, output: 48 V DC / 2.5 A, adjustable from 48 V DC ... 56 V DC, PoE application up to 120 W

Product description

STEP POWER power supplies for distribution boards. The STEP POWER power supplies with Push-in connection technology are the professional solution for intelligent building automation. The compact devices are economical, space-saving, and flexible in application.

Your advantages

- Energy savings with the highest level of efficiency in no-load and part-load operation (Efficiency Level VI)
- Space savings in the control cabinet due to the narrow design combined with increased performance (up to 100%)
- Approval for household purposes (EN 60335) allows use in domestic applications
- Quick and easy startup with tool-free Push-in connection technology at a 45° angle with double terminal points
- Flexible mounting: Snap onto a DIN rail or screw onto a level surface

Commercial data

Item number	1285035
Packing unit	1 pc
Minimum order quantity	1 pc
Sales key	H1 - Stromversorgungen
Product key	CMPH14
GTIN	4063151490744
Weight per piece (including packing)	320 g
Weight per piece (excluding packing)	255 g
Customs tariff number	85044095
Country of origin	VN

Technical data

Input data

AC operation

Supply system configuration	Star network (TN, TT, IT (PE))
Input voltage range	120 V AC ... 240 V AC \pm 10 % (120 W)
	95 V AC ... 120 V AC \pm 10 % (96 W)
Typical national grid voltage	120 V AC
	230 V AC
Voltage type of supply voltage	AC
Inrush current	typ. 35 A
Inrush current integral (I^2t)	typ. 0.03 A ² s
Frequency range (f_N)	50 Hz ... 60 Hz \pm 10 %
Mains buffering time	typ. 19 ms (120 V AC)
	typ. 20 ms (230 V AC)
Current consumption	1.11 A (120 V AC)
	0.56 A (240 V AC)
Protective circuit	Transient surge protection; Varistor
Switch-on time	typ. 2 s
Device mains fuse	4 A internal (device protection), slow-blow
Recommended breaker for input protection	6 A ... 16 A (Characteristics B, C, D, K)
Discharge current to PE	< 0.25 mA

DC operation

Input voltage range	125 V DC ... 250 V DC \pm 10 % (120 W)
	99 V DC ... 125 V DC \pm 10 % (96 W)
Voltage type of supply voltage	DC
Current consumption	1.05 A (125 V DC)
	0.51 A (250 V DC)

Output data

Efficiency	> 94 % (120 V AC)
	> 95.5 % (230 V AC)
Nominal output voltage	48 V DC
Setting range of the output voltage (U_{Set})	48 V DC ... 56 V DC (> 48 V DC, constant capacity restricted)
Nominal output current (I_N)	2.5 A (120 W)
	2 A (96 W)
Short-circuit-proof	yes
No-load proof	yes
Derating	> 50 °C ... 70 °C (2 % / K)
Crest factor	typ. 1,64 (120 V AC)
	typ. 1.69 (230 V AC)
Output power (P_N)	120 W

STEP3-PS/1AC/48DC/2.5/PT - Power supply unit



1285035

<https://www.phoenixcontact.com/de/produkte/1285035>

	96 W
Connection in parallel	yes, for increasing power and redundancy with diode
Connection in series	yes, for increased output voltage
Feedback voltage resistance	≤ 60 V DC
Protection against overvoltage at the output (OVP)	< 60 V DC
Residual ripple	typ. 100 mV _{PP}
Control deviation	< 0.5 % (Static load change 10 % ... 90 %) < 3 % (Dynamic load change 10 % ... 90 %, (10 Hz)) < 0.1 % (change in input voltage ±10 %)
Rise time	typ. 100 ms (U _{Out} = 10 % ... 90 %)
Minimum no-load power dissipation	< 0.21 W (120 V AC)
Maximum no-load power dissipation	< 0.21 W (230 V AC)
Minimum nominal load power dissipation	< 7.7 W (120 V AC)
Power loss nominal load max.	< 5.7 W (230 V AC)

Connection data

Input

Position	1.x
----------	-----

Connection technology

Position marking	1.1, 1.2 (L), 1.3, 1.4 (N)
------------------	----------------------------

Conductor connection

Connection method	Push-in connection
rigid	0.2 mm ² ... 2.5 mm ²
	1 mm ² (recommended)
flexible	0.2 mm ² ... 2.5 mm ²
	1 mm ² (recommended)
flexible with ferrule without plastic sleeve	0.5 mm ² ... 1.5 mm ²
	1 mm ² (recommended)
flexible with ferrule with plastic sleeve	0.2 mm ² ... 1 mm ²
	1 mm ² (recommended)
rigid (AWG)	24 ... 14 (Cu)
	17 (recommended)
Stripping length	10 mm (rigid/flexible/ferrule without plastic sleeve)
	10 mm (Ferrule with plastic sleeve)

Output

Position	2.x
----------	-----

Connection technology

Position marking	2.1, 2.2, 2.3, 2.4 (+), 2.5, 2.6, 2.7, 2.8 (-)
------------------	--

Conductor connection

Connection method	Push-in connection
rigid	0.2 mm ² ... 2.5 mm ²

STEP3-PS/1AC/48DC/2.5/PT - Power supply unit



1285035

<https://www.phoenixcontact.com/de/produkte/1285035>

	1 mm ² (recommended)
flexible	0.2 mm ² ... 2.5 mm ²
	1 mm ² (recommended)
flexible with ferrule without plastic sleeve	0.5 mm ² ... 1.5 mm ²
	1 mm ² (recommended)
flexible with ferrule with plastic sleeve	0.2 mm ² ... 1 mm ²
	1 mm ² (recommended)
rigid (AWG)	24 ... 14 (Cu)
	17 (recommended)
Stripping length	10 mm (rigid/flexible)
	10 mm (Ferrule)

Signaling

LED signaling

Types of signaling	LED DC OK – signal state operation ($U_N = 24 \text{ V DC}$, $I_{Out} = I_N$)
Function	Visual operating state display
Color	green
LED off	Supply voltage input AC not present (Off)
LED on (green), DC OK	$U_{Out} > 44 \text{ V DC}$ (on)

Electrical properties

Number of phases	1.00
------------------	------

Product properties

Product type	Power supply
Product family	STEP POWER
MTBF (IEC 61709, SN 29500)	> 1372000 h (25 °C)
	> 758000 h (40 °C)
	> 495000 h (50 °C)
Environmental protection directive	RoHS Directive 2011/65/EU
	WEEE
	Reach

Data management status

Article revision	00
------------------	----

Insulation characteristics

Protection class	II (in closed control cabinet)
Degree of pollution	2

Dimensions

Item dimensions

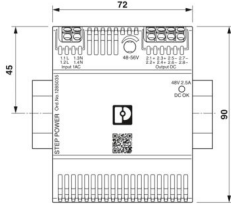
Width	72 mm
Height	90 mm

STEP3-PS/1AC/48DC/2.5/PT - Power supply unit



1285035

<https://www.phoenixcontact.com/de/produkte/1285035>

Depth	61 mm
	55 mm (Device depth (DIN rail mounting))
Dimensional drawing	
Horizontal pitch	4 Div. (DIN 43880)

Installation dimensions

Installation distance right/left	0 mm / 0 mm
Installation distance top/bottom	30 mm / 30 mm

Mounting

Mounting type	DIN rail or direct mounting
Assembly note	alignable: 0 mm horizontally, 30 mm vertically
Mounting position	horizontal DIN rail NS 35, EN 60715
With protective coating	No

Material specifications

Housing material	Plastic
Housing material	Polycarbonate
Foot latch material	Polyamid

Environmental and real-life conditions

Ambient conditions

Degree of protection	IP20
Ambient temperature (operation)	-10 °C ... 70 °C (Derating: > 50 °C; 2 %/K)
Ambient temperature (storage/transport)	-40 °C ... 85 °C
Ambient temperature (start-up type tested)	-25 °C
Maximum altitude	≤ 5000 m (> 2000 m, Derating: 10 %/1000 m)
Max. permissible relative humidity (operation)	≤ 95 % (at 25 °C, non-condensing)
Shock (operation)	18 ms, 30g, per spatial direction (IEC 60068-2-27)
Vibration (operation)	< 15 Hz, amplitude ±2.5 mm (IEC 60068-2-6) 15 Hz ... 150 Hz, 2.3g, 90 min.

Standards and regulations

Overvoltage category

EN 61010-1	II (≤ 5000 m)
------------	---------------

Overvoltage category

EN 62477-1	III (≤ 2000 m)
------------	----------------

STEP3-PS/1AC/48DC/2.5/PT - Power supply unit



1285035

<https://www.phoenixcontact.com/de/produkte/1285035>

Electrical safety

Standard designation	Electrical safety
Standards/specifications	IEC 61010-1 (SELV)

Protective extra-low voltage

Standard designation	Protective extra-low voltage
Standards/specifications	IEC 61010-1 (SELV)
	IEC 61010-2-201 (PELV)

Safe isolation

Standard designation	Safe isolation
Standards/specifications	IEC 61558-2-16

Low-voltage power supplies, DC output

Standard designation	Low-voltage power supplies, DC output
Standards/specifications	EN 61204-3

Safety requirements for electrical equipment for measurement, control, and laboratory use

Standard designation	Safety requirements for electrical equipment for measurement, control, and laboratory use
Standards/specifications	IEC 61010-1

Household and similar electrical appliances - Safety

Standard designation	Safety of electrical devices for household use and similar purposes
Standards/specifications	DIN EN 60335-1
Standard designation	Power over Ethernet
Standards/specifications	IEEE 802.3 (145.4.1 insulation)

Approvals

UL

Identification	UL/C-UL Listed UL 61010-1
----------------	---------------------------

UL

Identification	UL/C-UL Listed UL 61010-2-201
----------------	-------------------------------

UL

Identification	UL/C-UL Listed ANSI/UL 121201 Class I, Division 2, Groups A, B, C, D (Hazardous Location)
----------------	---

EMC data

Low Voltage Directive	Conformance with Low Voltage Directive 2014/35/EC
Interference emission	Interference emission in accordance with EN 61000-6-3 (residential and commercial) and EN 61000-6-4 (industrial)
Noise immunity	EN 61000-6-2:2005
Electromagnetic compatibility	Conformance with EMC Directive 2014/30/EU
Conducted noise emission	EN 55016
	EN 61000-6-3 (Class B)

STEP3-PS/1AC/48DC/2.5/PT - Power supply unit



1285035

<https://www.phoenixcontact.com/de/produkte/1285035>

Noise emission	EN 55016
	EN 61000-6-3 (Class B)
Harmonic currents	
Standards/regulations	EN 61000-3-2
	EN 61000-3-2 (Class A)
Flicker	
Standards/regulations	EN 61000-3-3
Frequency range	0 kHz ... 2 kHz
Electrostatic discharge	
Standards/regulations	EN 61000-4-2
Electrostatic discharge	
Contact discharge	6 kV (Test Level 3)
Discharge in air	8 kV (Test Level 3)
Comments	Criterion A
Electromagnetic HF field	
Standards/regulations	EN 61000-4-3
Electromagnetic HF field	
Frequency range	80 MHz ... 1 GHz
Test field strength	10 V/m (Test Level 3)
Frequency range	1 GHz ... 6 GHz
Test field strength	10 V/m (Test Level 3)
Comments	Criterion A
Fast transients (burst)	
Standards/regulations	EN 61000-4-4
Fast transients (burst)	
Input	asymmetrical 4 kV (Test Level 4)
Output	asymmetrical 2 kV (Test Level 3)
Comments	Criterion A
Surge voltage load (surge)	
Standards/regulations	EN 61000-4-5
Surge voltage load (surge)	
Input	symmetrical 1 kV (Test Level 3)
	asymmetrical 2 kV (Test Level 3)
Output	symmetrical 0.5 kV (Test Level 2)
	asymmetrical 1 kV (Test Level 2)
Comments	Criterion B
Conducted interference	
Standards/regulations	EN 61000-4-6

STEP3-PS/1AC/48DC/2.5/PT - Power supply unit



1285035

<https://www.phoenixcontact.com/de/produkte/1285035>

Conducted interference

Frequency range	0.15 MHz ... 80 MHz
Comments	Criterion A
Voltage	10 V (Test Level 3)

Voltage dips

Standards/regulations	EN 61000-4-11
Voltage	230 V AC
Frequency	50 Hz
Voltage dip	70 %
Number of periods	25 periods
Additional text	Class 3
Comments	Criterion A
Voltage dip	40 %
Number of periods	10 periods
Additional text	Class 3
Comments	Criterion B
Voltage dip	0 %
Number of periods	1 period
Additional text	Class 3
Comments	Criterion A

Criteria

Criterion A	Normal operating behavior within the specified limits.
Criterion B	Temporary impairment to operational behavior that is corrected by the device itself.
Criterion C	Temporary adverse effects on the operating behavior, which the device corrects automatically or which can be restored by actuating the operating elements.

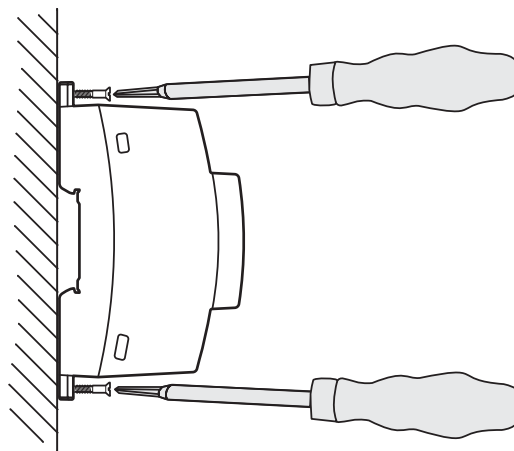
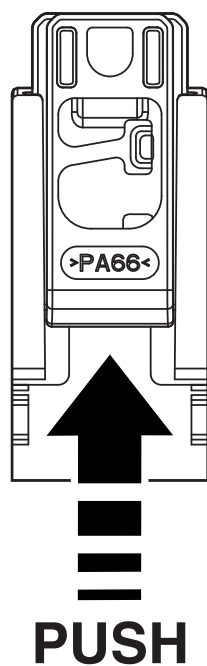
STEP3-PS/1AC/48DC/2.5/PT - Power supply unit

1285035

<https://www.phoenixcontact.com/de/produkte/1285035>

Drawings

Schematic diagram



Mounting option

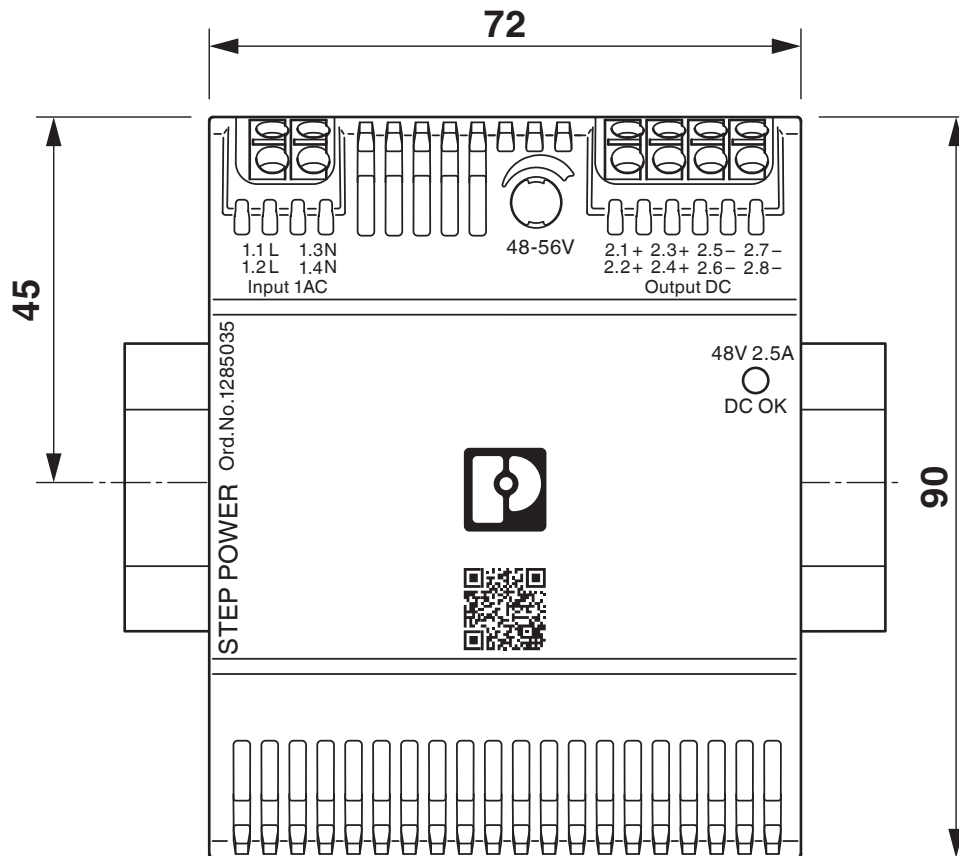
STEP3-PS/1AC/48DC/2.5/PT - Power supply unit



1285035

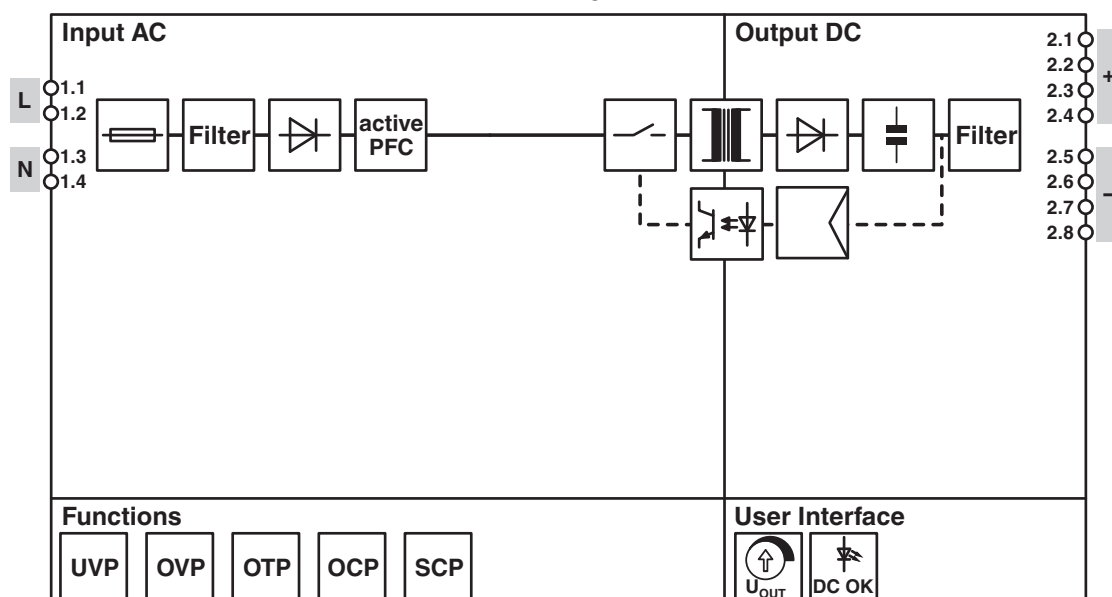
<https://www.phoenixcontact.com/de/produkte/1285035>

Dimensional drawing



Device dimensions (dimensions in mm)

Block diagram



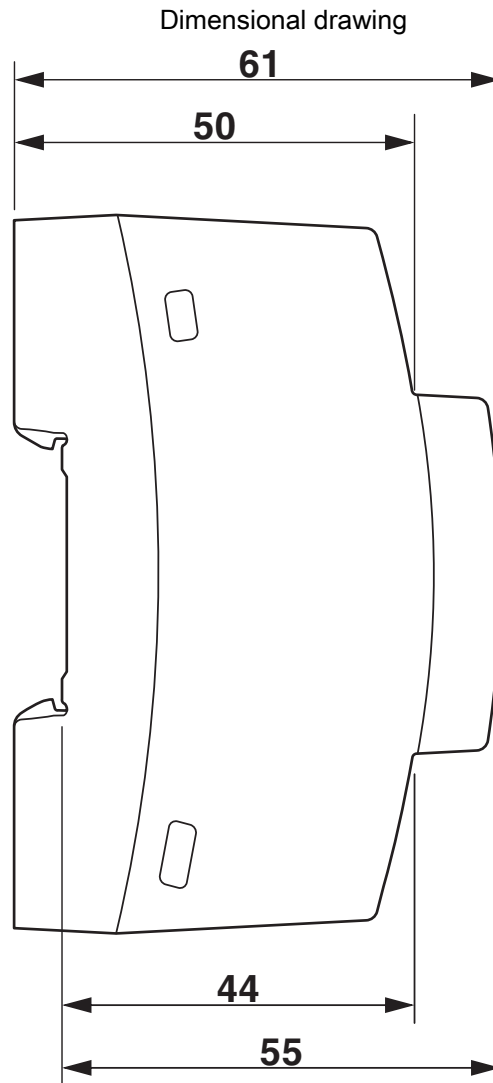
Block diagram

STEP3-PS/1AC/48DC/2.5/PT - Power supply unit



1285035

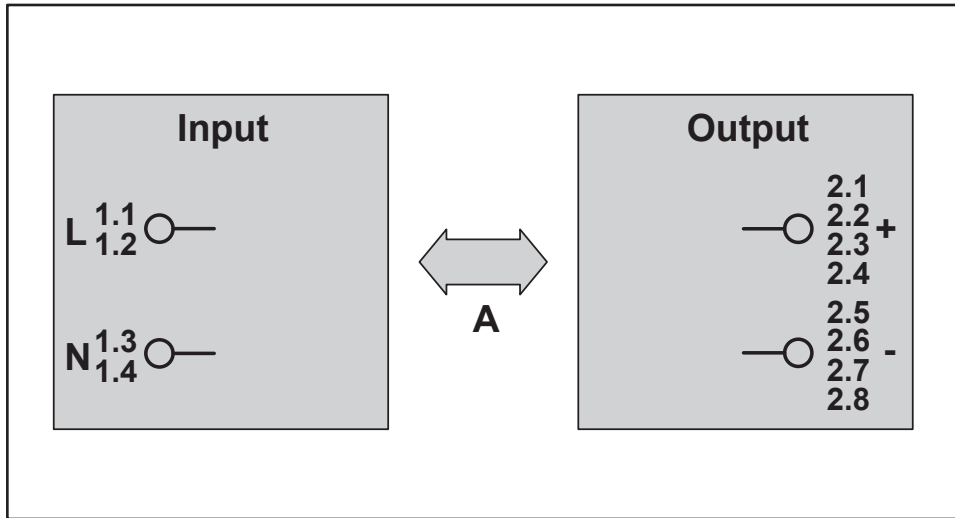
<https://www.phoenixcontact.com/de/produkte/1285035>



Device dimensions (dimensions in mm)

Schematic diagram

Housing



Test sections, insulation voltage

STEP3-PS/1AC/48DC/2.5/PT - Power supply unit



1285035

<https://www.phoenixcontact.com/de/produkte/1285035>

Approvals

To download certificates, visit the product detail page: <https://www.phoenixcontact.com/de/produkte/1285035>



IECEE CB Scheme

Approval ID: SI-10227



cULus Listed

Approval ID: E123528-20230227



cULus Listed

Approval ID: E199827-20230314

STEP3-PS/1AC/48DC/2.5/PT - Power supply unit



1285035

<https://www.phoenixcontact.com/de/produkte/1285035>

Classifications

ECLASS

ECLASS-11.0	27040701
ECLASS-13.0	27040701

ETIM

ETIM 9.0	EC002540
----------	----------

STEP3-PS/1AC/48DC/2.5/PT - Power supply unit



1285035

<https://www.phoenixcontact.com/de/produkte/1285035>

Environmental product compliance

EU RoHS

Fulfills EU RoHS substance requirements	Yes
Exemption	6(c), 7(c)-I

China RoHS

Environment friendly use period (EFUP)	EFUP-25
	An article-related China RoHS declaration table can be found in the download area for the respective article under "Manufacturer declaration". For all articles with EFUP-E, no China RoHS declaration table issued and required.

EU REACH SVHC

REACH candidate substance (CAS No.)	Lead(CAS: 7439-92-1)
-------------------------------------	----------------------

STEP3-PS/1AC/48DC/2.5/PT - Power supply unit



1285035

<https://www.phoenixcontact.com/de/produkte/1285035>

Accessories

POTI SEALING PLUG - Closing cap

1175957

<https://www.phoenixcontact.com/de/produkte/1175957>



Sealing plug for protection against manipulation (adjustment of the DC output voltage) by sealing off the potentiometer opening

FL SWITCH 1104-4POE REG - Industrial Ethernet Switch

1473642

<https://www.phoenixcontact.com/de/produkte/1473642>



Unmanaged Switch 1000 REG, 4 RJ45 ports 10/100/1000 Mbps, REG design in accordance with DIN 43880

Phoenix Contact 2024 © - all rights reserved

<https://www.phoenixcontact.com>

PHOENIX CONTACT Deutschland GmbH

Flachsmarktstraße 8

D-32825 Blomberg

+49 52 35/3-1 20 00

info@phoenixcontact.de