

Holder - EV-GBAC-PARK - 1624142

Please be informed that the data shown in this PDF Document is generated from our Online Catalog. Please find the complete data in the user's documentation. Our General Terms of Use for Downloads are valid (<http://download.phoenixcontact.com>)



Retainer for Vehicle Connector as parking position at charging stations (EVSE), GB/T, GB/T 20234.2

Article description

Retainer for Vehicle Connector as parking position at charging stations for E-Mobility (EVSE)

Your advantages

- Production in accordance with ISO TS 16949
- Material data available in the IMDS (International Material Data System of the automotive industry)

Key commercial data

package_quantity	1
GTIN	4055626241586

Technical data

Product definition

Product type	Retainer for Vehicle Connector as parking position at charging stations (EVSE)
Standards/regulations	GB/T 20234.2
Charging standard	GB/T
Charging mode	Mode 3
Type of charging current	AC

Dimensions

Height	76.6 mm
Width	76.6 mm
Depth	40 mm
Bore dimensions	60 mm x 60 mm

Ambient conditions

Ambient temperature (operation)	-30 °C ... 50 °C
Ambient temperature (storage/transport)	-40 °C ... 80 °C
Degree of protection	IP54

Mechanical properties

Vehicle Connector fixing	With actuation lever
Removal of the Vehicle Connector	Lever actuation and removal

Holder - EV-GBAC-PARK - 1624142

Technical data

Mechanical properties

Detection of the Vehicle Connector	On request
------------------------------------	------------

Mounting

Possible mounting positions	Front mounting
Restrictions to mounting position	Only 0 to 45 degree frontal inclination possible, see figure
Mounting hole diameter	7.00 mm (Hexagonal fixing)

Design

Housing color	black
Customer variations	On request

Material

Material	Plastic
----------	---------

Environmental Product Compliance

China RoHS	Environmentally friendly use period: unlimited = EFUP-e
China RoHS	No hazardous substances above threshold values

Classifications

eCl@ss

eCl@ss 4.0	272607xx
eCl@ss 4.1	27260701
eCl@ss 5.0	27260701
eCl@ss 5.1	27059110
eCl@ss 6.0	27279220
eCl@ss 7.0	27061801
eCl@ss 8.0	27449001
eCl@ss 9.0	27144792

ETIM

ETIM 2.0	EC000241
ETIM 3.0	EC002061
ETIM 4.0	EC002061
ETIM 5.0	EC002839
ETIM 6.0	EC002839

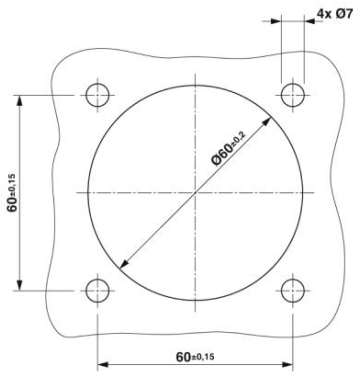
UNSPSC

UNSPSC 6.01	30211923
UNSPSC 7.0901	39121522
UNSPSC 11	39121522
UNSPSC 12.01	39121522
UNSPSC 13.2	39121522

Drawings

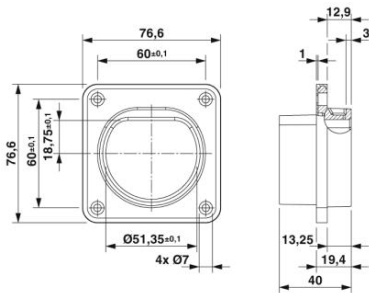
Holder - EV-GBAC-PARK - 1624142

Drilling diagram



Hole image

Dimensional drawing



Dimensional drawing

Phoenix Contact 2016 © - all rights reserved
<http://www.phoenixcontact.com>