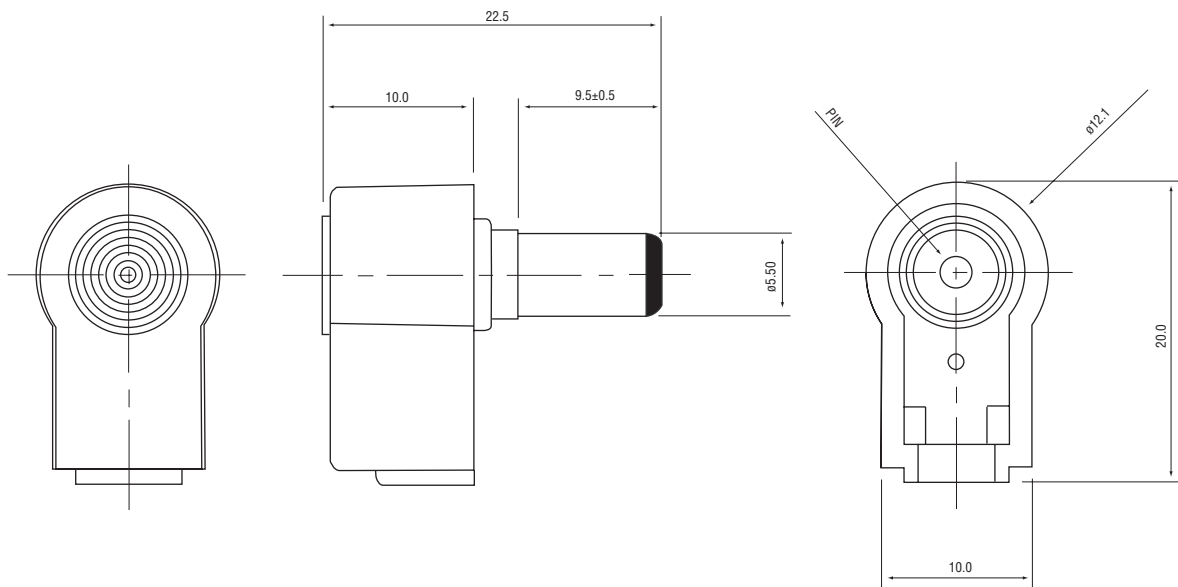
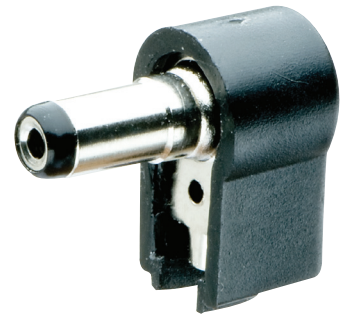


## Specifications:

No.	Description
1	Rating: DC12V 1Amp
2	ø2.5*ø5.5mm DC Plug, Right Angled Type Assembly
3	<b>Material:</b>
	Body: PE, Black
	Plug: Nickel-plated, Brass
	Insulator: Delrin



Order code	20-1060	20-1062
Pin	ø2.1	ø2.5