



remote operating mechanism 5ST3 COM with communication and ARD; 100-240 V AC; 2 MW; for CB, RCCB, RC units, RCBO, on-off switch; please consider wireless approval! list of countries: see certificates

Model	
product brand name	SENTRON
product designation	remote operating mechanism 5ST3 COM, ARD
design of the product	Mountable
display version LED	Yes
design of the product factory mounted	No
electrical endurance (operating cycles) typical	10 000
overvoltage category	III (AS+FC II)
guideline via radio-controlled system	2014/53/EU
frequency with radio transmission minimum	2 400 MHz
frequency with radio transmission maximum	2 483.5 MHz
status display of the measured data	manual ON/OFF, tripping, temperature, operating cycles, operating hours, warnings, ARD status, slide status; ARD adjustable; switching command
Voltage	
insulation voltage rated value	250 V
surge voltage resistance rated value	4 kV
Supply voltage	
operating voltage	
• rated value	230 V
• at AC rated value minimum	100 V
• at AC rated value maximum	240 V
protection class IP	IP20
Dissipation	
power loss [V·A] during standby	1.6 W
Control current	
type of voltage of control voltage	AC
Product details	
product feature interlock	Yes
product component	
• fault signal contact	Yes
• auxiliary switch	Yes
number of fault signal contacts	1
number of NC contacts	0
number of NO contacts	0
number of CO contacts	2
design of the auxiliary switch	45VA, 0.2A, AC 230V
product extension can be mounted	Universal
product extension	remote operating mechanism ARD COM
type of fault signal contact	45VA, 0.2A, AC 230V

number of remote reset per minute	4
number of attempts for automatic resetting (standard)	3
number of attempts for automatic resetting (adjustable)	3
product function test function for fault current trip	No

Communication

protocol is supported	wired XOR wireless
-----------------------	--------------------

Connections

wire length in the control circuit	1 500 m
connectable conductor cross-section	
• minimum	0.5 mm ²
• maximum	1.5 mm ²
AWG number as coded connectable conductor cross section	
• minimum	30
• maximum	14
tightening torque with screw-type terminals	
• minimum	0.2 N·m
• maximum	0 N·m

Mechanical Design

height	90 mm
width	36 mm
depth	72 mm
number of modular width units	2
Net Weight	230 g

Environmental conditions

standard	IEC63024
ambient temperature during operation	
• minimum	-40 °C
• maximum	70 °C
ambient temperature during storage minimum	-40 °C

Approvals Certificates

Environment	General Product Approval
-------------	--------------------------

[Environmental Con-
firmations](#)

[Environmental Con-
firmations](#)



[Miscellaneous](#)



[Confirmation](#)

General Product Ap- proval	Radio Equipment Type Approval Certificate	other	Dangerous goods
-------------------------------	---	-------	-----------------



[Miscellaneous](#)

[Miscellaneous](#)

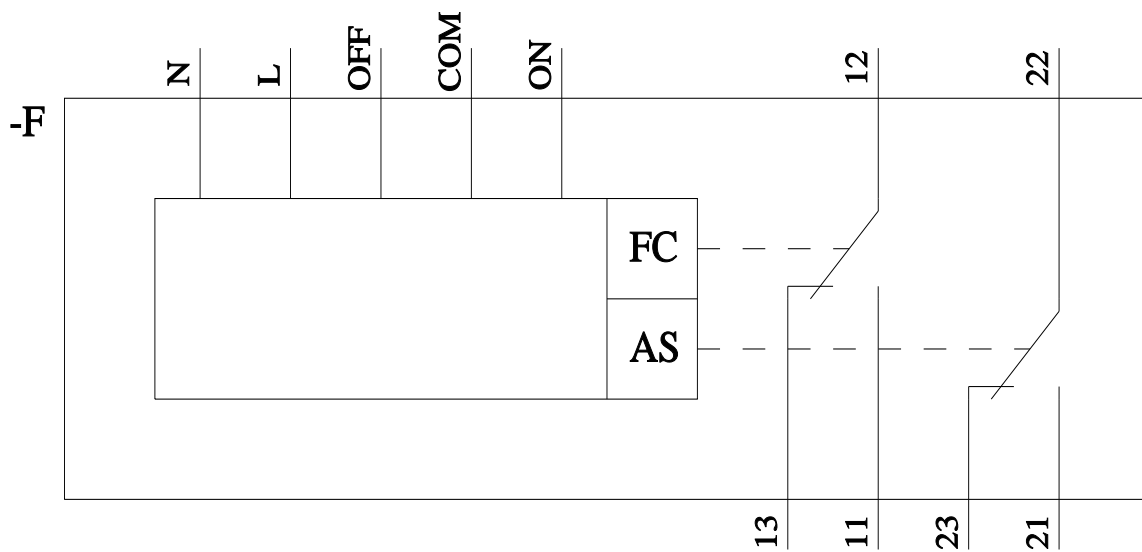
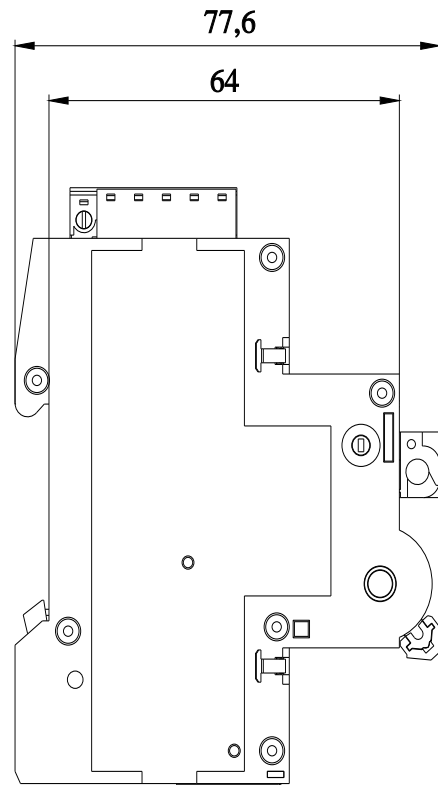
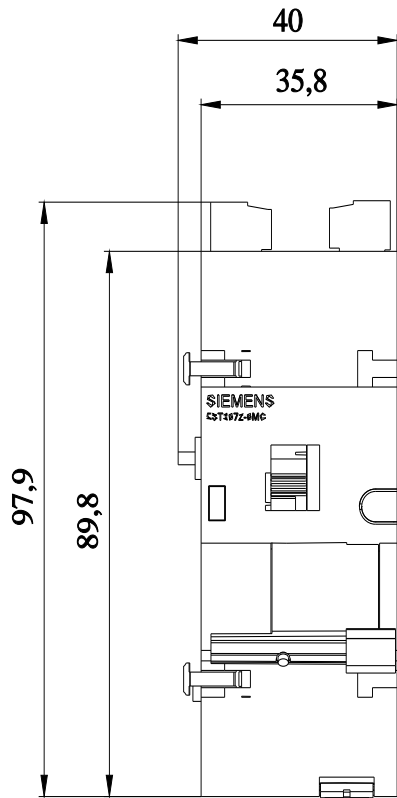
[Confirmation](#)

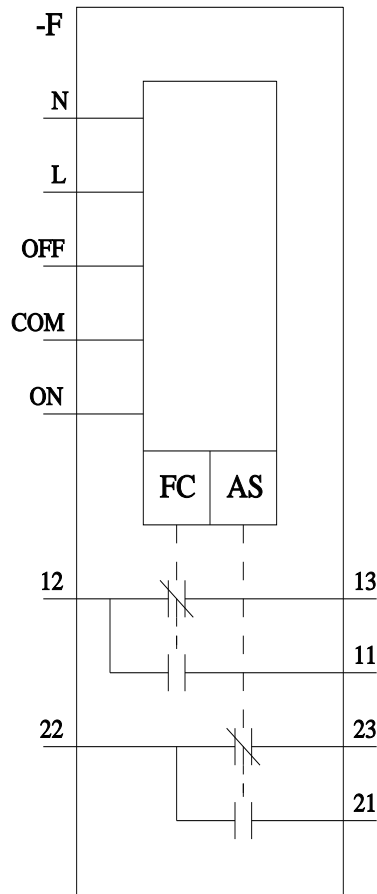


[Transport Information](#)

Further information

- Information on the packaging
<https://support.industry.siemens.com/cs/ww/en/view/109813875>
- Information for data generation and storage
<https://support.industry.siemens.com/cs/ww/en/view/109995012>
- Information- and Downloadcenter (Catalogs, Brochures,...)
<https://www.siemens.com/lowvoltage/catalogs>
- Industry Mall (Online ordering system)
<https://mall.industry.siemens.com/mall/en/en/Catalog/product?mlfb=5ST3072-0MC>
- Service&Support (Manuals, Certificates, Characteristics, FAQs,...)
<https://support.industry.siemens.com/cs/ww/en/ps/5ST3072-0MC>
- Image database (product images, 2D dimension drawings, 3D models, device circuit diagrams, ...)
https://www.automation.siemens.com/bilddb/cax_en.aspx?mlfb=5ST3072-0MC
- CAX-Online-Generator
<https://www.siemens.com/cax>
- Tender specifications
<https://www.siemens.com/specifications>





last modified:

5/5/2026 

