



Sigma | Sigma SC

TE Internal #: 1624053-2

Sigma SC, High Frequency & RF Inductors, Radio Frequency, Through Hole - Solder, Ammo Packed, 7 x 2.8 mm, 10 Passive Component Tolerance

[View on TE.com >](#)

Passive Components > Inductors > High Frequency & RF Inductors



Inductor Type: **Radio Frequency**

Termination Method to Printed Circuit Board: **Through Hole - Solder**

Packaging Method: **Ammo Packed**

Passive Component Dimensions: **7 x 2.8 mm**

Passive Component Tolerance: **10 %**

Features

Product Type Features

Inductor Type	Radio Frequency
Element Type	Wire Wound

Electrical Characteristics

Self Resonant Frequency	.3 GHz
Passive Component Tolerance	10 %
Inductance	.56 μ H
Current Rating (Max)	595 mA
DC Resistance	.5 Ω

Body Features

Passive Component Lead Type	Axial-Leaded
-----------------------------	--------------

Termination Features

Termination Method to Printed Circuit Board	Through Hole - Solder
---	-----------------------

Dimensions

Passive Component Dimensions	7 x 2.8 mm
------------------------------	------------

Usage Conditions

Operating Temperature Range	-55 – 100 °C
-----------------------------	--------------

Packaging Features

--	--



Packaging Method	Ammo Packed
------------------	-------------

Other

Inductor Quality Factor	30
-------------------------	----

Product Compliance

[For compliance documentation, visit the product page on TE.com>](#)

EU RoHS Directive 2011/65/EU	Compliant
EU ELV Directive 2000/53/EC	Compliant
China RoHS 2 Directive MIIT Order No 32, 2016	No Restricted Materials Above Threshold
EU REACH Regulation (EC) No. 1907/2006	Current ECHA Candidate List: JAN 2021 (211) Candidate List Declared Against: JUN 2020 (209) SVHC > Threshold: Not Yet Reviewed
Halogen Content	Not Low Halogen - contains Br or Cl > 900 ppm.
Solder Process Capability	Wave solder capable to 265°C

Product Compliance Disclaimer

This information is provided based on reasonable inquiry of our suppliers and represents our current actual knowledge based on the information they provided. This information is subject to change. The part numbers that TE has identified as EU RoHS compliant have a maximum concentration of 0.1% by weight in homogenous materials for lead, hexavalent chromium, mercury, PBB, PBDE, DBP, BBP, DEHP, DIBP, and 0.01% for cadmium, or qualify for an exemption to these limits as defined in the Annexes of Directive 2011/65/EU (RoHS2). Finished electrical and electronic equipment products will be CE marked as required by Directive 2011/65/EU. Components may not be CE marked. Additionally, the part numbers that TE has identified as EU ELV compliant have a maximum concentration of 0.1% by weight in homogenous materials for lead, hexavalent chromium, and mercury, and 0.01% for cadmium, or qualify for an exemption to these limits as defined in the Annexes of Directive 2000/53/EC (ELV). Regarding the REACH Regulation, the information TE provides on SVHC in articles for this part number is based on the latest European Chemicals Agency (ECHA) 'Guidance on requirements for substances in articles' posted at this URL: <https://echa.europa.eu/guidance-documents/guidance-on-reach>

Compatible Parts



TE Part # 1624009-2
SC30-10-2513-10 1UH AMMO 1000



TE Part # 1623937-3
SC10-10-0525-10 10UH AMMO 1000



TE Part # 1624001-3
SC30-10-2537-10 100UH AMMO 1000



TE Part # 1624023-2
SC30-10-2519-10 3.3UH AMMO 1000



TE Part # 1624019-2
SC30-10-2531-10 33UH AMMO 1000

Also in the Series | Sigma SC



High Frequency & RF Inductors(69)



LC Connectors(3)



Printable Tubing(9)



SC Connectors(1)

Customers Also Bought



TE Part #102312-2
Universal Headers: Ejector Latch



TE Part #1-406541-1
MJ,INV,1X1,6PNL G,..100"ST,SN



TE Part #1622718-1
LR2 1% 24K



TE Part #1624049-2
SC30-10-2506-10 0.27UH AMMO 1000



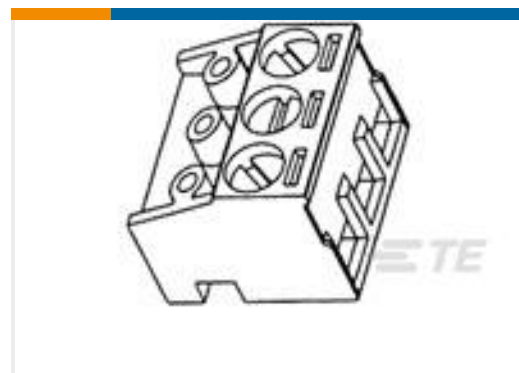
TE Part #1461247-1
STD OEG Miniature PCB OJ/OJE Pow Relays



TE Part #ZPF000000000018789
FDBA 50H 8-3A-PN-K



TE Part #1-1986720-2
STR PLUG SPRING TYPE RH 12P, 3.81 mm



TE Part #1546018-4
4 POS TERMI-BLOK PLUG 90 &180



TE Part #1622682-1
LR2 1% 12K



TE Part #1622764-1
LR2 1% 56K



Documents

CAD Files

3D PDF

3D

Customer View Model

[ENG_CVM_CVM_1624053-2_BA.2d_dxf.zip](#)

English

Customer View Model

[ENG_CVM_CVM_1624053-2_BA.3d_igs.zip](#)

English

Customer View Model

[ENG_CVM_CVM_1624053-2_BA.3d_stp.zip](#)

English

By downloading the CAD file I accept and agree to the [Terms and Conditions](#) of use.

Datasheets & Catalog Pages

[1309350_PASSIVE_COMPONENT](#)

English

[Axial Leaded Power Inductors - Type SC10, SC15, SC30 Series - Tyco Electronics Passives](#)

English