

173681-1 ✓ ACTIVE

AMP | Multilock Connector System

TE Internal #: 173681-1

Multilock Connector System, Automotive Terminals, Receptacle,
Tab Width 1 mm [.039 in], Tab Thickness .025 in [.64 mm]

[View on TE.com >](#)



Terminals & Splices > Automotive Terminals > MULTILOCK, RECEPTACLE AND TAB



Terminal & Splice Type: **Receptacle**

Mating Tab Width: **1 mm [.039 in]**

Mating Tab Thickness: **.64 mm [.025 in]**

Terminal Transmits: **0 – 24 A (Low Power)**

Wire Size: **.3 – .5 mm²**

[All MULTILOCK, RECEPTACLE AND TAB \(144\)](#)

Features

Product Type Features

Receptacle Style	180°
Sealable	No
Primary Locking Feature	Clean Body

Contact Features

Typical Current Rating	5 A
Crimp Type	F-Crimp
Terminal & Splice Type	Receptacle
Mating Tab Width	1 mm [.039 in]
Mating Tab Thickness	.64 mm [.025 in]
Automotive Terminal Interface Plating	Tin (Sn)
Contact Termination Area Plating Material	Tin (Sn)

Termination Features

Automotive Terminal Termination Method	Crimp
--	-------

Dimensions

Wire Size	.3 – .5 mm ²
Wire Size Search	19 AWG, 20 AWG, 21 AWG



Wire Insulation Diameter	1.8 – 2 mm [.071 – .079 in]
--------------------------	-----------------------------

Usage Conditions

Operating Temperature (Max)	80 °C, 85 °C, 90 °C, 100 °C, 105 °C [176 °F] [185 °F][194 °F][212 °F][221 °F]
Operating Temperature Range	-30 – 105 °C [-22 – 221 °F]

Packaging Features

Packaging Method	Package
Packaging Quantity	5000

Other

Terminal Transmits	0 – 24 A (Low Power)
--------------------	----------------------

Product Compliance

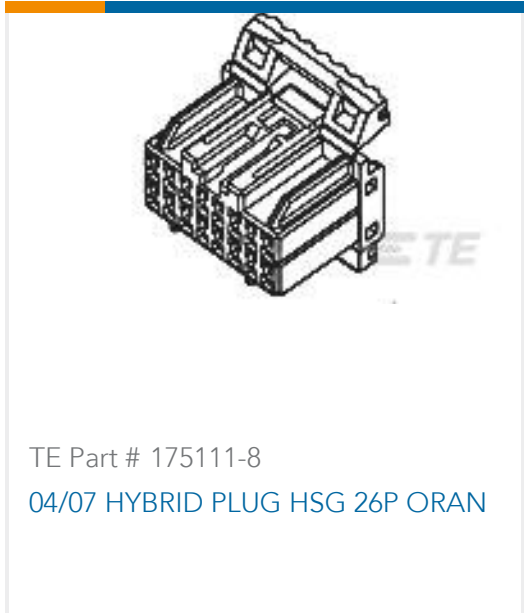
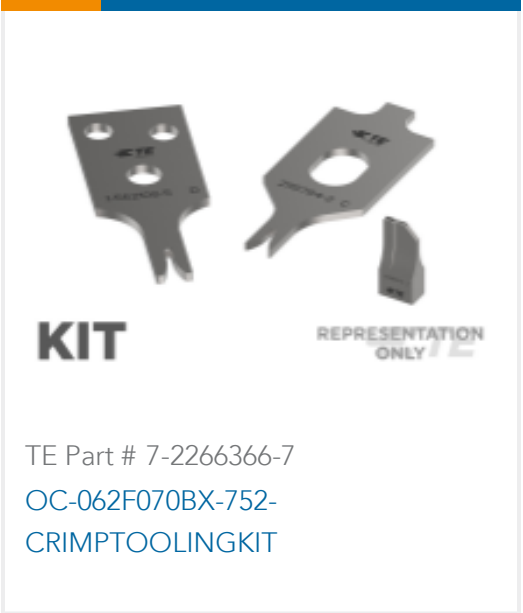
[For compliance documentation, visit the product page on TE.com>](#)

EU RoHS Directive 2011/65/EU	Compliant
EU ELV Directive 2000/53/EC	Compliant
China RoHS 2 Directive MIIT Order No 32, 2016	No Restricted Materials Above Threshold
EU REACH Regulation (EC) No. 1907/2006	Current ECHA Candidate List: JAN 2021 (211) Candidate List Declared Against: JAN 2021 (211) Does not contain REACH SVHC
Halogen Content	Low Halogen - Br, Cl, F, I < 900 ppm per homogenous material. Also BFR/CFR/PVC Free
Solder Process Capability	Not applicable for solder process capability

Product Compliance Disclaimer

This information is provided based on reasonable inquiry of our suppliers and represents our current actual knowledge based on the information they provided. This information is subject to change. The part numbers that TE has identified as EU RoHS compliant have a maximum concentration of 0.1% by weight in homogenous materials for lead, hexavalent chromium, mercury, PBB, PBDE, DBP, BBP, DEHP, DIBP, and 0.01% for cadmium, or qualify for an exemption to these limits as defined in the Annexes of Directive 2011/65/EU (RoHS2). Finished electrical and electronic equipment products will be CE marked as required by Directive 2011/65/EU. Components may not be CE marked. Additionally, the part numbers that TE has identified as EU ELV compliant have a maximum concentration of 0.1% by weight in homogenous materials for lead, hexavalent chromium, and mercury, and 0.01% for cadmium, or qualify for an exemption to these limits as defined in the Annexes of Directive 2000/53/EC (ELV). Regarding the REACH Regulation, the information TE provides on SVHC in articles for this part number is based on the latest European Chemicals Agency (ECHA) 'Guidance on requirements for substances in articles' posted at this URL: <https://echa.europa.eu/guidance-documents/guidance-on-reach>

Compatible Parts



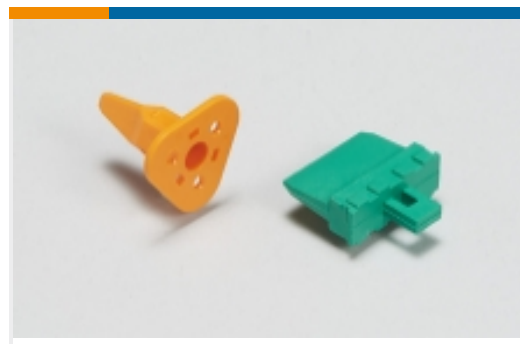
Also in the Series | **Multilock Connector System**



Automotive Connector Caps & Covers (16)



Automotive Connector EMC Shielding (1)



Automotive Connector Locks & Position Assurance(2)



Automotive Headers(138)



Automotive Housings(576)



Automotive Seals & Cavity Plugs(2)



Automotive Terminals(142)

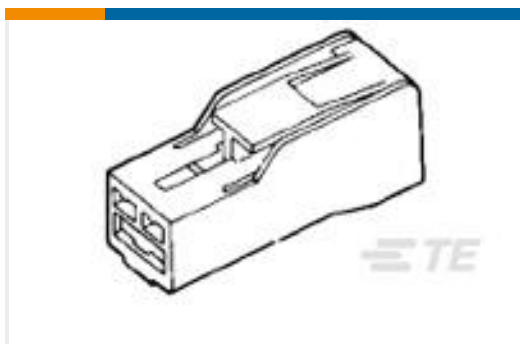


Insertion & Extraction Tools(6)



Other Automotive Connector Accessories(9)

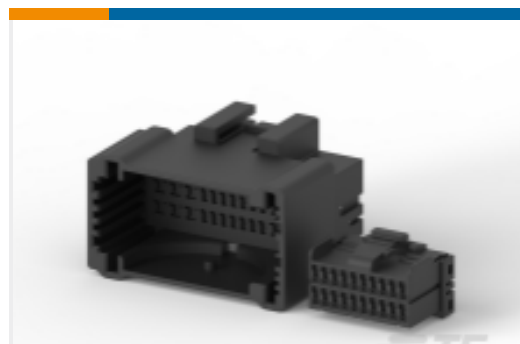
Customers Also Bought



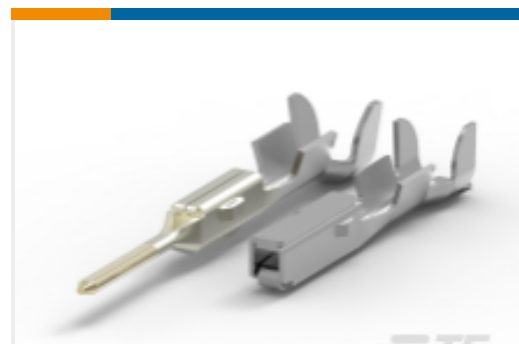
TE Part #172320-2
POSITIVE LOCK 250 (6.3 MM)
HOUSING



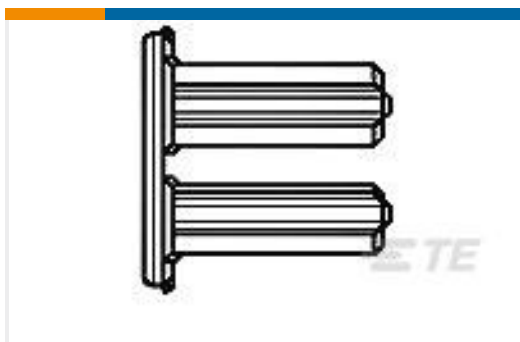
TE Part #1418882-1
LEAVYSEAL BACKSHELLS



TE Part #174044-2
MULTILOCK, CONNECTOR HOUSING



TE Part #173682-1
MULTILOCK, RECEPTACLE AND TAB



TE Part #967635-1
2.0 KONT



TE Part #1394872-1
SEALING PLUG 1,5MM



TE Part #1394871-1
MQS DICHTSTOPFEN



TE Part #1564880-1
GET 0.64,FEMALE TERMINAL 0.13M

Documents



Product Drawings

040 MLC REC CONTACT

English

CAD Files

Customer View Model

[ENG_CVM_173681-1_E3.3d_igs.zip](#)

English

Customer View Model

[ENG_CVM_173681-1_E3.3d_stp.zip](#)

English

Customer View Model

[ENG_CVM_173681-1_E3.2d_dxf.zip](#)

English

3D PDF

English

By downloading the CAD file I accept and agree to the [Terms and Conditions](#) of use.

Datasheets & Catalog Pages

MULTILOCK Connector System

English

Product Specifications

Application Specification

English

Crimping .040 Series, Receptacle Contact

Japanese

Application Specification

Japanese

Product Environmental Compliance

[MD_173681-1_013120182344_dmtec](#)

English

[MD_173681-1_013120182344_dmtec](#)

English

Instruction Sheets

HYBRID I/O CONNECTOR

English

Customer Manual (non U.S.)

English

HYBRID I/O CONNECTOR

English

Customer Manual (non U.S.)

English

Customer Manual (non U.S.)



Japanese

[.040 Series, Multilock I/O Connector, Mark II](#)

Japanese

[Customer Manual \(non U.S.\)](#)

Japanese

[.040 Series Multilock I/O Connector Mark II](#)

Japanese