



DEUTSCH | DEUTSCH DT

TE Internal #: DT06-4S-CP01

DEUTSCH DT, Housing for Female Terminals, Wire-to-Wire, 4 Position, 4.45mm [.175in] Centerline, Sealable, Black, Wire & Cable

[View on TE.com >](#)

Connectors > Automotive Connectors > Connector Housings > DEUTSCH DT Series Housings & Connectors



Connector & Housing Type: **Housing for Female Terminals**

Mating Pin Diameter: **1.59 mm [ .063 in ]**

Connector System: **Wire-to-Wire**

Number of Positions: **4**

Centerline (Pitch): **4.45 mm [ .175 in ]**

[All DEUTSCH DT Series Housings & Connectors \(424\)](#)

## Features

### Product Type Features

|                                   |                              |
|-----------------------------------|------------------------------|
| Connector & Housing Type          | Housing for Female Terminals |
| Connector System                  | Wire-to-Wire                 |
| Sealable                          | Yes                          |
| Hybrid Connector                  | No                           |
| Primary Locking Feature           | Integrated in Housing        |
| Connector & Contact Terminates To | Wire & Cable                 |

### Configuration Features

|                       |            |
|-----------------------|------------|
| Blank Cavity Position | 1, 2, 3, 4 |
| Number of Positions   | 4          |
| Number of Rows        | 2          |

### Electrical Characteristics

|                              |                  |
|------------------------------|------------------|
| Operating Voltage            | 250 VAC          |
| Nominal Voltage Architecture | 12 V, 24 V, 48 V |



### Body Features

|                       |       |
|-----------------------|-------|
| Cable Exit Angle      | 180°  |
| Body Material         | PA GF |
| Primary Product Color | Black |

### Contact Features

|                              |                  |
|------------------------------|------------------|
| Mating Pin Diameter          | 1.59 mm[.063 in] |
| Contact Current Rating (Max) | 13 A             |

### Mechanical Attachment

|                             |                  |
|-----------------------------|------------------|
| Mounting Feature            | Without          |
| Terminal Position Assurance | Yes              |
| Strain Relief               | Add By Accessory |
| Mating Alignment Type       | With             |

### Housing Features

|                    |                  |
|--------------------|------------------|
| Centerline (Pitch) | 4.45 mm[.175 in] |
|--------------------|------------------|

### Dimensions

|                    |                    |
|--------------------|--------------------|
| Product Width      | 20.83 mm[.82 in]   |
| Product Length     | 33.73 mm[1.328 in] |
| Product Height     | 19.58 mm[.771 in]  |
| Row-to-Row Spacing | 9.12 mm[.359 in]   |

### Usage Conditions

|                             |                            |
|-----------------------------|----------------------------|
| Operating Temperature (Max) | 125 °C[257 °F]             |
| Operating Temperature Range | -55 – 125 °C[-67 – 257 °F] |

### Operation/Application

|                     |                |
|---------------------|----------------|
| Circuit Application | Power & Signal |
|---------------------|----------------|

### Industry Standards

|                        |                                    |
|------------------------|------------------------------------|
| Agency/Standard        | SAE J2030                          |
| Degree of Protection   | IP68, IP6K9K                       |
| UL Flammability Rating | 12mm Flame Test per Standard UL-94 |

### Packaging Features

|                    |      |
|--------------------|------|
| Packaging Quantity | 1000 |
| Packaging Method   | Box  |



Other

|                                      |     |
|--------------------------------------|-----|
| Serviceable                          | Yes |
| Connector Position Assurance Capable | No  |

Product Compliance

[For compliance documentation, visit the product page on TE.com>](#)

|                                               |                                                                                                                                         |
|-----------------------------------------------|-----------------------------------------------------------------------------------------------------------------------------------------|
| EU RoHS Directive 2011/65/EU                  | Compliant                                                                                                                               |
| EU ELV Directive 2000/53/EC                   | Compliant                                                                                                                               |
| China RoHS 2 Directive MIIT Order No 32, 2016 | No Restricted Materials Above Threshold                                                                                                 |
| EU REACH Regulation (EC) No. 1907/2006        | Current ECHA Candidate List: JAN 2021 (211)<br>Candidate List Declared Against: JAN 2018 (181)<br>SVHC > Threshold:<br>Not Yet Reviewed |
| Halogen Content                               | Not Low Halogen - contains Br or Cl > 900 ppm.                                                                                          |
| Solder Process Capability                     | Not reviewed for solder process capability                                                                                              |

Product Compliance Disclaimer

This information is provided based on reasonable inquiry of our suppliers and represents our current actual knowledge based on the information they provided. This information is subject to change. The part numbers that TE has identified as EU RoHS compliant have a maximum concentration of 0.1% by weight in homogenous materials for lead, hexavalent chromium, mercury, PBB, PBDE, DBP, BBP, DEHP, DIBP, and 0.01% for cadmium, or qualify for an exemption to these limits as defined in the Annexes of Directive 2011/65/EU (RoHS2). Finished electrical and electronic equipment products will be CE marked as required by Directive 2011/65/EU. Components may not be CE marked. Additionally, the part numbers that TE has identified as EU ELV compliant have a maximum concentration of 0.1% by weight in homogenous materials for lead, hexavalent chromium, and mercury, and 0.01% for cadmium, or qualify for an exemption to these limits as defined in the Annexes of Directive 2000/53/EC (ELV). Regarding the REACH Regulation, the information TE provides on SVHC in articles for this part number is based on the latest European Chemicals Agency (ECHA) 'Guidance on requirements for substances in articles' posted at this URL: <https://echa.europa.eu/guidance-documents/guidance-on-reach>

Compatible Parts

TE Part # CAT-D487-H342  
DEUTSCH DT HEADERS

TE Part # CAT-D487-CH8172  
DEUTSCH DT Series Housings & Connectors

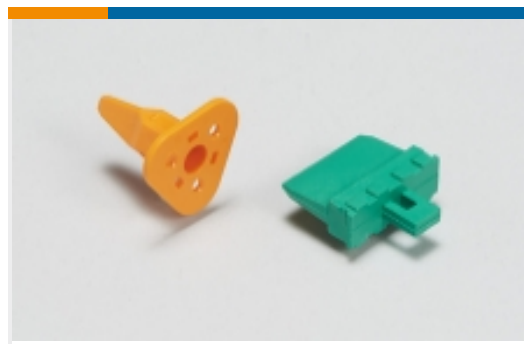
TE Part # CAT-D487-P729  
DEUTSCH DT DUST CAPS

TE Part # 10219538-00  
NSG-75/DOG2-JXZ-I-JCB

Also in the Series | **DEUTSCH DT**



Automotive Connector Caps & Covers (71)



Automotive Connector Locks & Position Assurance(62)



Automotive Headers(83)



Automotive Housings(563)



Automotive Seals & Cavity Plugs(4)



Insertion & Extraction Tools(3)

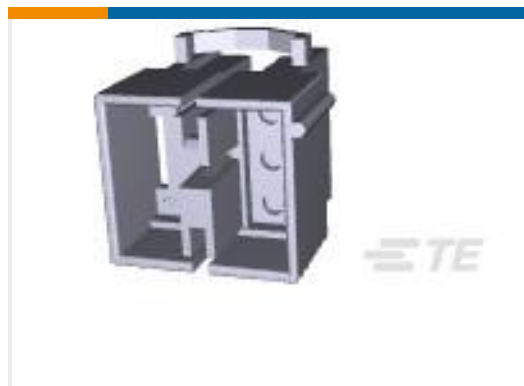


Other Automotive Connector Accessories(14)

## Customers Also Bought



TE Part #165142  
PIDG FORMED WIRE PINS



TE Part #1-480340-0  
06P CMNL CAP HSG F/H NATL



TE Part #1825603-1  
BP1532004=Boot,Pushbutton



TE Part #1011-026-0205  
DEUTSCH DT MOUNTING CLIPS



TE Part #1062-16-1244  
DEUTSCH STAMPED & FORMED CONTACTS



TE Part #165143  
PG WIRE PIN 22-16



TE Part #1991231-1  
EMC CRIMP SLEEVE. IPT 16-50mms



TE Part #2141809-4  
CONTACT KIT, BODY AND SPRING,



TE Part #2321775-9  
4POS,MATE-AX,HDR ASSY,90DEG, COD Z



TE Part #SRK-PC-080-35-601  
PIN, SOLID, SIZE M8, 35mm2, AG

## Documents



### Product Drawings

[PLG, 4P, BLK, BLOCKED, SEAL RET](#)

English

---

### CAD Files

[3D PDF](#)

3D

Customer View Model

[ENG\\_CVM\\_CVM\\_DT06-4S-CP01\\_1.2d\\_dxf.zip](#)

English

Customer View Model

[ENG\\_CVM\\_CVM\\_DT06-4S-CP01\\_1.3d\\_igs.zip](#)

English

Customer View Model

[ENG\\_CVM\\_CVM\\_DT06-4S-CP01\\_1.3d\\_stp.zip](#)

English

By downloading the CAD file I accept and agree to the [Terms and Conditions](#) of use.

---

### Datasheets & Catalog Pages

[ICT Terminals and Connectors Catalogue](#)

English

[DEUTSCH DT Enhanced Seal Retention Connectors](#)

English

[CONNECTOR SELECTOR](#)

English

---

### Product Specifications

[Application Specification](#)

English