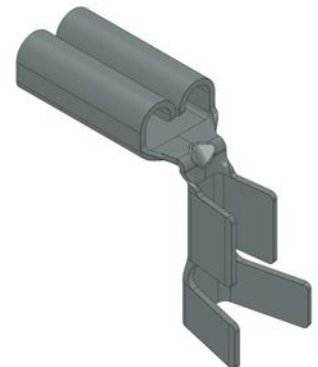


# PRODUCT DATA SHEET

3766w.67

Flat receptacles uninsulated – 3766 W Ms sn 2.8x0.5/1



## Product Overview

SKU	3766w.67
Part description	Flat receptacles uninsulated
Part designation	3766 W Ms sn 2.8x0.5/1

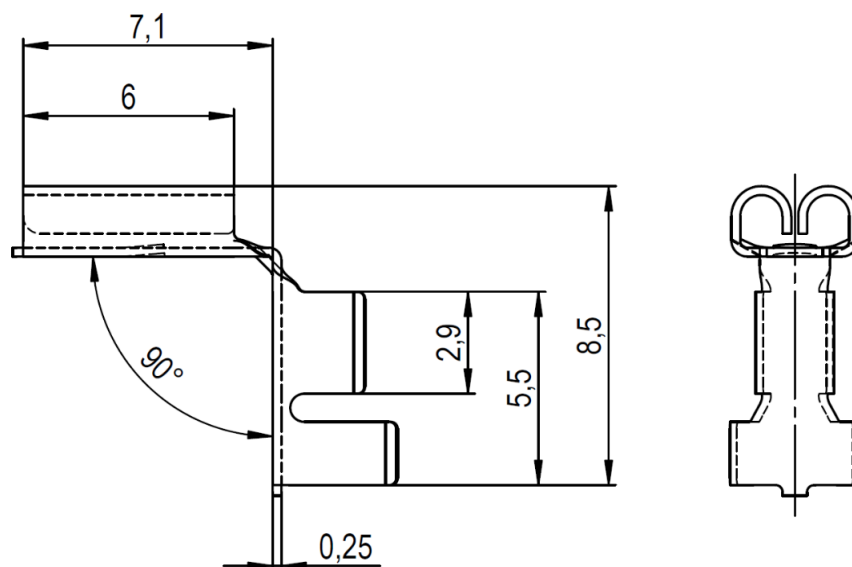
### Material

Component	Brass
Surface	pure tin-plated

### Technical Details

Net weight kg/1000	0.230
Conductor cross-section	0.5 – 1.0mm <sup>2</sup> / AWG 20 – 18
Plug-in size	2.80 x 0.50mm

## Dimensions



© 2022 | Vogt AG Verbindungstechnik

The general conditions of sale of Vogt AG apply to this product. See [www.vogt.ch/downloads](http://www.vogt.ch/downloads).

This data sheet is regularly revised but is not subject to any change service.

This article is a freely available article according to the above specification. The availability of certificates according to EN 10204, others acceptance test certificates or material compliance and customer-specific part submission warrant, are to be requested by the customer and, if available, can be obtained for a fee.

You can find more information on the free available product conformities at [www.vogt.ch/downloads](http://www.vogt.ch/downloads).

Form checked and approved special field: 17.02.2022 haatob  
Form created: 17.02.2022 haatob

PDS\_3766w.67\_EN\_V1.docx  
Content created: 17.04.24 karlea / Version: 01

Page 1 / 1  
PM-FO-03 / Version: 00

Vogt AG Verbindungstechnik  
+41 62 285 75 75

Duschletenstrasse 2 – 4  
info@vogt.ch

4654 Lostorf / Switzerland  
[www.vogt.ch](http://www.vogt.ch)