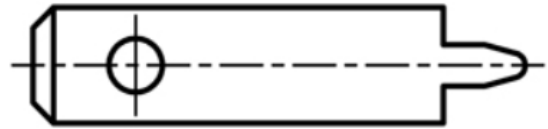


PRODUCT DATA SHEET

3779s.68

P.C.B. mounting tab – 3779 S Ms sn 2.8x0.8



Product Overview

SKU	3779s.68
Part description	P.C.B. mounting tab
Part designation	3779 S Ms sn 2.8x0.8

Material

Component	Brass (CuZn37)
Surface	2-5 µm Ni + 4-7 µm Sn (pure tin-plated)

Technical Details

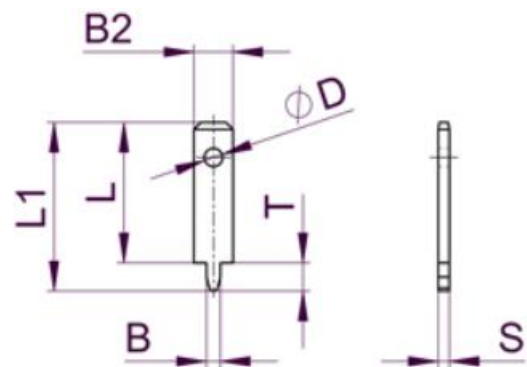
Net weight kg/1000	0.180
--------------------	-------

Marking

RoHS	compliant
------	-----------

Dimensions

For hole ø [mm]	1.1
øD [mm]	1.3
B [mm]	1
B1 [mm]	2.8
L [mm]	10
L1 [mm]	12
S [mm]	0.8
T [mm]	2



PRODUCT DATA SHEET

Material composition – base material

CuZn37		
Main components		
Shortcut	Designation	Proportion [%]
Cu	Copper	62.0 - 64.0
Zn	Zinc	rest
Permitted admixtures		
Shortcut	Designation	Proportion [%]
Ni	Nickel	0.3
Fe	Iron	0.1
Pb	Lead	0.1
Sn	Tin	0.1
Al	Aluminum	0.05
other		0.1

© 2020 / Vogt AG Verbindungstechnik

This leaflet is for general information about the base material only and is not subject to revision.

The data given are no warranty that the product is of a specified quality and they can not replace customer's own test and expert advice regarding the application of the manufactured component.