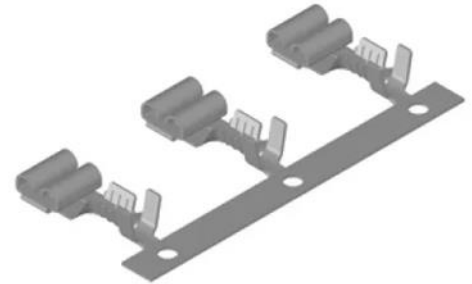


# PRODUCT DATA SHEET

38061.27

Flat receptacles uninsulated – 38061 Bz sn 4.8x0.8/1



## Product Overview

SKU	38061.27
Part description	Flat receptacles uninsulated
Part designation	38061 Bz sn 4.8x0.8/1
Packaging Unit on role	3500 pieces

### Material

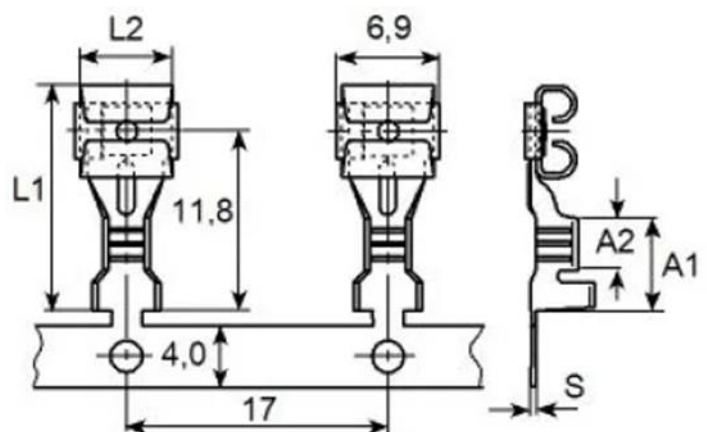
Component	Bronze
Surface	pure tin-plated

### Technical Details

Net weight kg/1000	1.250
Conductor cross-section	0.5 – 1.0mm <sup>2</sup> / AWG 20 – 18
Plug-in size	4.80 x 0.80mm

### Dimensions

A1 [mm]	6.00
A2 [mm]	3.40
L1 [mm]	14.60
L2 [mm]	6.00
L3 [mm]	3.00
S [mm]	0.35



© 2022 | Vogt AG Verbindungstechnik

The general conditions of sale of Vogt AG apply to this product. See [www.vogt.ch/downloads](http://www.vogt.ch/downloads).

This data sheet is regularly revised but is not subject to any change service.

This article is a freely available article according to the above specification. The availability of certificates according to EN 10204, others acceptance test certificates or material compliance and customer-specific part submission warrant, are to be requested by the customer and, if available, can be obtained for a fee.

You can find more information on the free available product conformities at [www.vogt.ch/downloads](http://www.vogt.ch/downloads).

Form checked and approved special field: 17.02.2022 haatob

Form created: 17.02.2022 haatob

PDS\_38061.27\_EN\_V1.docx

Content created: 18.04.24 karlea / Version: 01

Page 1 / 1

PM-FO-03 / Version: 00