

PRODUCT DATA SHEET

38371a.67

Flat receptacle – 3837/1 A Ms sn 6.3x0.8/1.5



Product Overview

| | |
|------------------|----------------------------|
| SKU | 38371a.67 |
| Part description | Flat receptacle |
| Part designation | 3837/1 A Ms sn 6.3x0.8/1.5 |

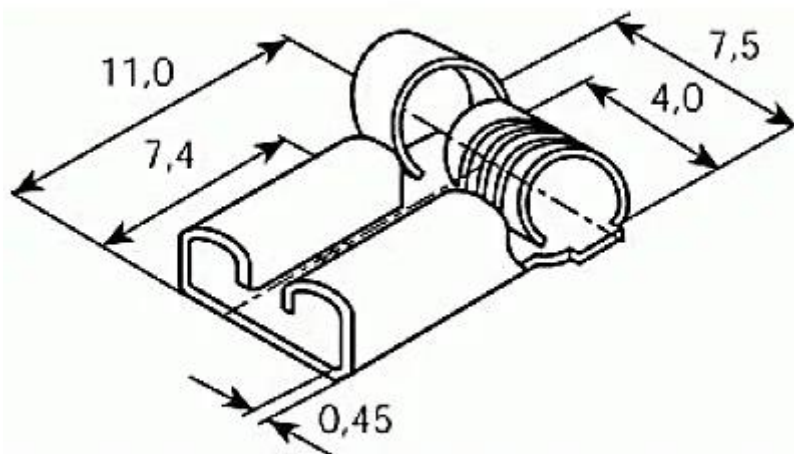
Material

| | |
|-----------|-----------------|
| Component | Brass |
| Surface | pure tin-plated |

Technical Details

| | |
|-------------------------|---------------------------------------|
| Net weight kg/1000 | 0.795 |
| Conductor cross-section | 0.5 – 1.5 mm ² / 20-16 AWG |
| Plug-in size | 6.30 x 0.80 |

Dimensions



© 2022 | Vogt AG Verbindungstechnik

The general conditions of sale of Vogt AG apply to this product. See www.vogt.ch/downloads.

This data sheet is regularly revised but is not subject to any change service.

This article is a freely available article according to the above specification. The availability of certificates according to EN 10204, others acceptance test certificates or material compliance and customer-specific part submission warrant, are to be requested by the customer and, if available, can be obtained for a fee.

You can find more information on the free available product conformities at www.vogt.ch/downloads.