

# PRODUCT DATA SHEET

3867hn.68

Flat receptacles weldable – 3867 HN Ms sn 6.3x0.8



## Product Overview

SKU	3867hn.68
Part description	Flat receptacles weldable
Part designation	3867 HN Ms sn 6.3x0.8

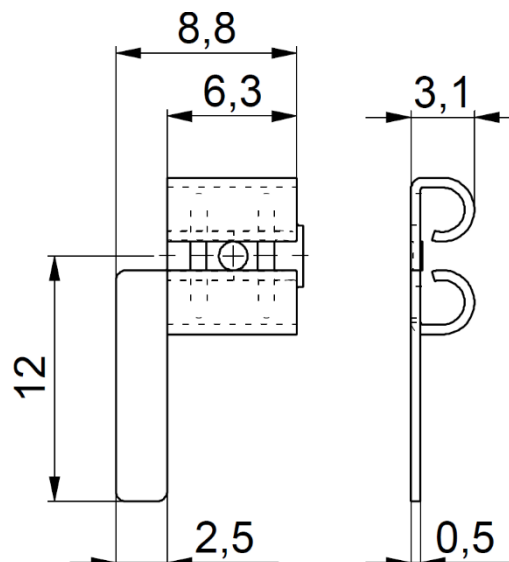
### Material

Component	Brass
Surface	tin-plated

### Technical Details

Net weight kg/1000	0.544
Plug-in size	6.30 x 0.80mm
Suitable for PCB Area	0.60 x 2.60mm
Maximum current rating	20A

### Dimensions



© 2022 | Vogt AG Verbindungstechnik

The general conditions of sale of Vogt AG apply to this product. See [www.vogt.ch/downloads](http://www.vogt.ch/downloads).

This data sheet is regularly revised but is not subject to any change service.

This article is a freely available article according to the above specification. The availability of certificates according to EN 10204, others acceptance test certificates or material compliance and customer-specific part submission warrant, are to be requested by the customer and, if available, can be obtained for a fee.

You can find more information on the free available product conformities at [www.vogt.ch/downloads](http://www.vogt.ch/downloads).

Form checked and approved special field: 17.02.2022 haatob

Form created: 17.02.2022 haatob

PDS\_3867hn.68\_EN\_V1.docx

Content created: 17.04.24 karlea / Version: 01

Page 1 / 1

PM-FO-03 / Version: 00