

# PRODUCT DATA SHEET

3867u.68

Flat receptacles solderable – 3867 U Ms sn 6.3x0.8



## Product Overview

SKU	3867u.68
Part description	Flat receptacles solderable
Part designation	3867 U Ms sn 6.3x0.8

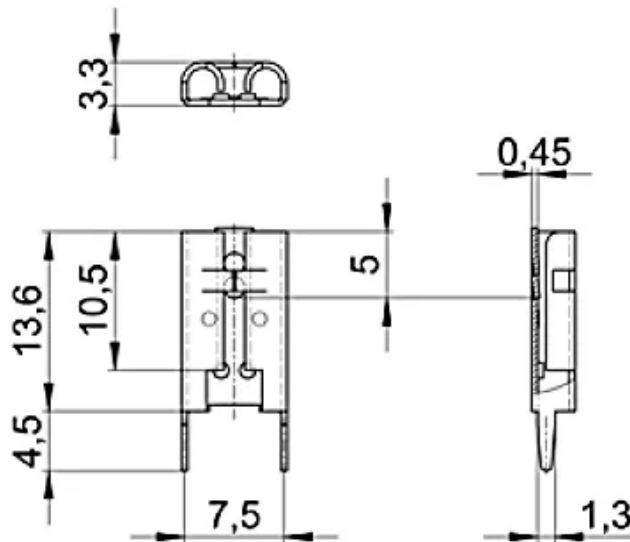
### Material

Component	Brass
Surface	pure tin-plated

### Technical Details

Net weight kg/1000	1.021
Max. current carrying capacity	12A

### Dimensions



© 2022 | Vogt AG Verbindungstechnik

The general conditions of sale of Vogt AG apply to this product. See [www.vogt.ch/downloads](http://www.vogt.ch/downloads).

This data sheet is regularly revised but is not subject to any change service.

This article is a freely available article according to the above specification. The availability of certificates according to EN 10204, others acceptance test certificates or material compliance and customer-specific part submission warrant, are to be requested by the customer and, if available, can be obtained for a fee.

You can find more information on the free available product conformities at [www.vogt.ch/downloads](http://www.vogt.ch/downloads).