

Technical data sheet

Actuator sensor interface · USB-panel connector

USB 3.1 C panel connector for front installation PG21, shielded
Female Type C / Female Type C / 180° / 1:1



Identification

Type USB-3.1 C/C F/F 180° PC
Part No. [493120](#)

Product version

Datasheet version 00

Use/Application/Properties

Application • Service interface for control cabinets and control panels
Properties • Very compact and durable design
• Transparent hinged lid, locks in place when opened
• High protection class IP69
• Straight connector 180°
• Installation depth approx. 70 mm
• Can be sealed with a lead seal
• Can be labeled with a description plate

General

Design USB 3.1 C
Form male 1 USB-C female
Form male 2 USB-C female
Degree of pollution 3
Insulation resistance >100 MΩ
Contact resistance <30 mΩ
Degree of protection IP65/67/68/69 in closed and IP20 in inserted position
Housing material PC, ABS
Contact material CuSn, gold-plated

United Kingdom: LÜTZE Ltd.

Unit 3, Sandy Hill Park
Sandy Way, Amington • GB-Tamworth, Staffs B77 4DU
Tel. +44 (0)1827 31333-0
www.lutze.com • sales.gb@lutze.co.uk

Germany: Friedrich Lütze GmbH

Postfach 12 24 (PLZ 71366) • Bruckwiesenstraße 17-19 • D-71384 Weinstadt
Tel. +49 (0)7151 6053-0
www.luetze.de • info@luetze.de

19.06.2024 • Subject to technical modification

Part No. [493120](#) • Datasheet version: 00

page 1 of 4



SYSTEMATIC TECHNOLOGY

Technical data sheet

Actuator sensor interface · USB-panel connector

Mounting	Front installation
Installation depth	approx.70 mm
Operation temperature range	-10 °C ... +60 °C
Storage temperature range	-20 °C ... +80 °C
Dimensions (w × h × d)	31.0 mm × 38.2 mm × 44.5 mm
Mechanical service life	≥1500 insertion cycles
Weight/unit	0.026 kg
PU (units)	1

Technical data

Rated voltage U_N	AC/DC 5 V
Max. Power	100 W
Operating voltage max.	20 V
Rated current	Max. 5 A
Pole number	24
Transfer rate	10 Gbit/s
Contact type	1 : 1

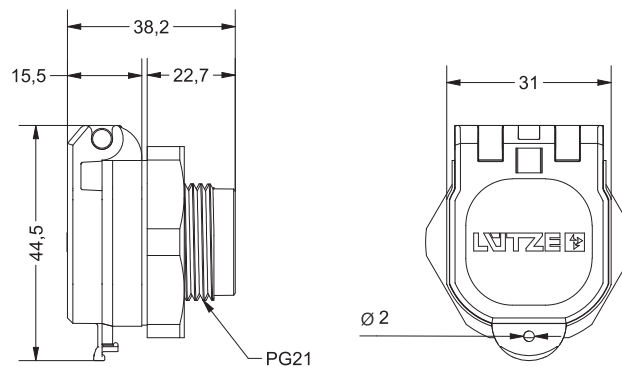
Equipment/Spare parts

Accessories

Not included in the delivery:

Labelling sign 5×5 mm, white: Part.-No. 716431 | LOCC-Box-BZW 7-6431 |
PU: 1 unit (200 tabs)

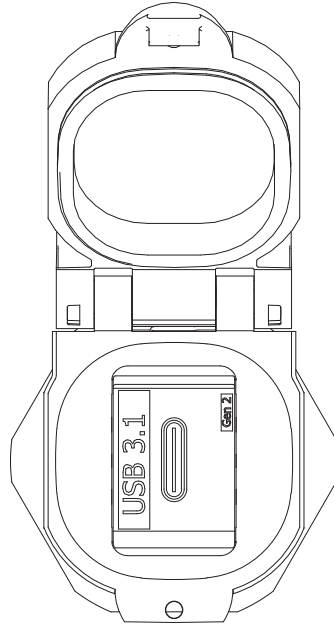
Dimensions



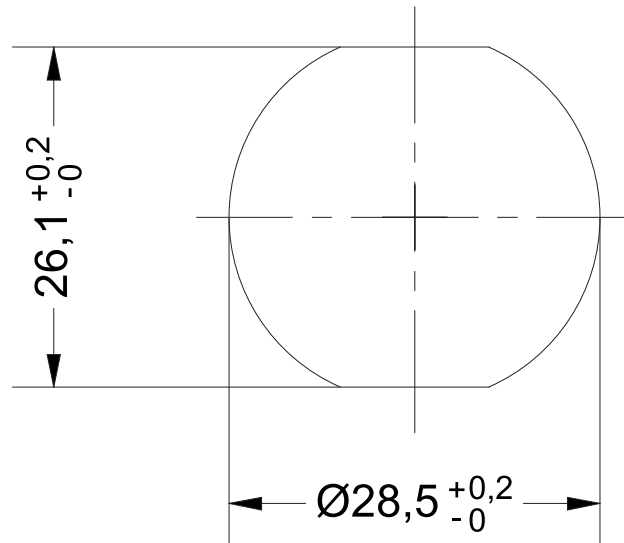
Technical data sheet

Actuator sensor interface · USB-panel connector

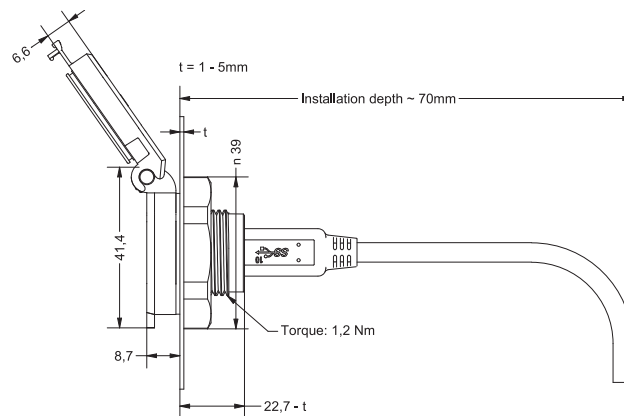
Front view



Mounting diagram



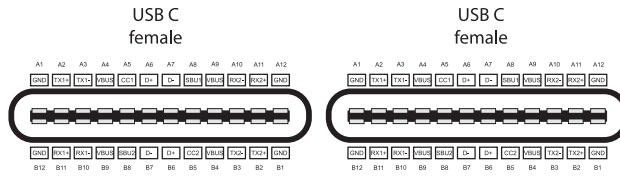
Mounting diagram



Technical data sheet

Actuator sensor interface · USB-panel connector

Pin layout



Circuit diagram

