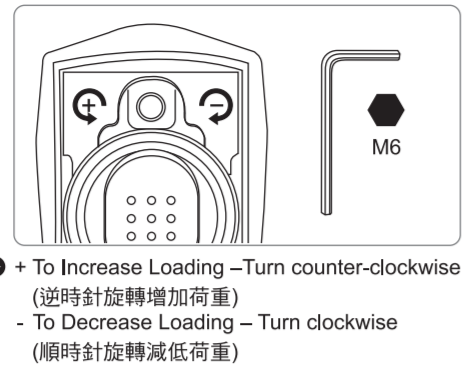
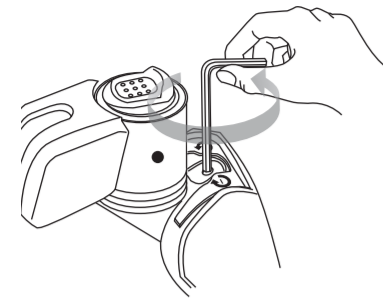


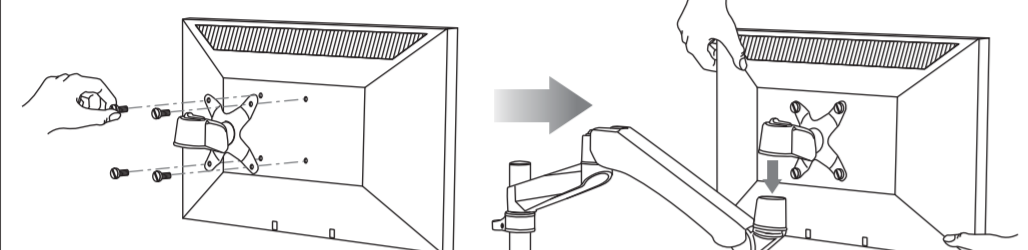
3 Installation Monitors (安裝螢幕)



- To Increase Loading – Turn counter-clockwise (逆時針旋轉增加荷重)
- To Decrease Loading – Turn clockwise (順時針旋轉減低荷重)

• Cautions (注意)

Before putting monitor onto the arm, please notice the weight of monitor. Our system is set at 3.5Kg that means the arm can sustain weight from 2.5-4.5Kg. If the monitor's weight is more than 4.5Kg or less than 2.5Kg, please use M6 wrench to adjust the loading.
(安裝螢幕前，請先查看螢幕重量。本系統出廠前，設定為承重2.5Kg-4.5Kg的螢幕，如螢幕重量在此範圍內，直接安裝即可，若重量超過4.5Kg或低於2.5Kg，請使用M6六角板手調整或調鬆致合適承重。)



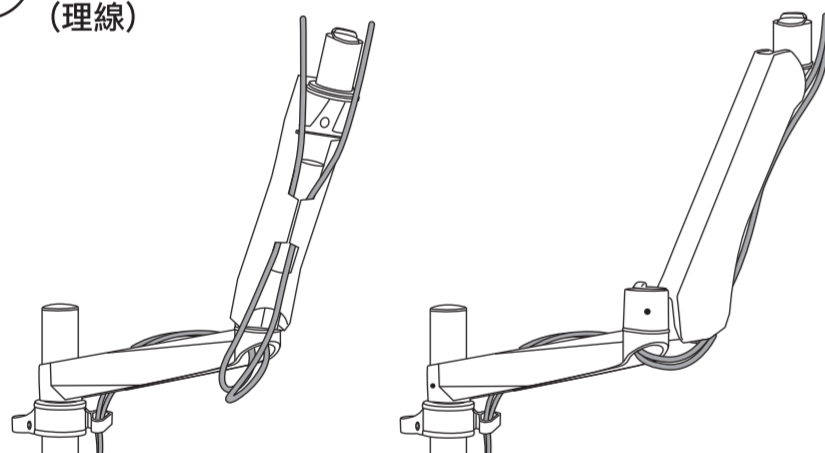
- Use M3 wrench to tighten or loosen swing feeling. (用M3六角板手調整或放鬆旋轉的感覺)



- Increase Tension- Turn Clockwise (順時針旋轉增加荷重)
- Decrease Tension-Turn Counter-Clockwise (逆時針旋轉減低荷重)

- If monitor does not stay in place or movement is stiff, please use wrench to increase or decrease tension until motion is equal. (調整螢幕俯角或仰角時，如感覺太緊或太鬆，請使用M3六角板手調整。)

5 Route Cables (理線)

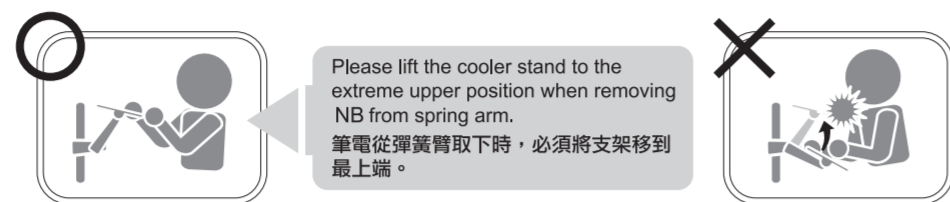


Supplied Parts and Hardware (包裝內部品及五金件)

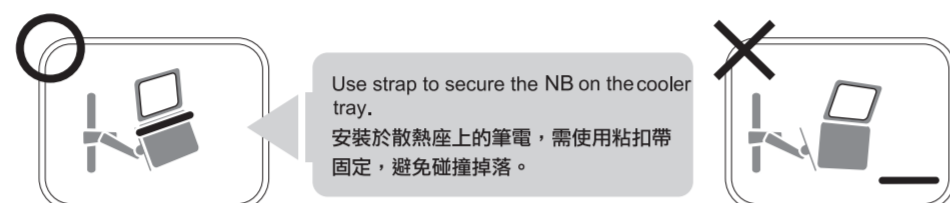
Parts 零件	Model 型號	EMN5044	
Aluminum Pole (鋁管)		•	Spring Arm(懸臂)
Wall Mount x 2 (牆座 x 2)		•	Swivel Arm (延伸臂)
M3 Wrench (M3六角板手)	M3	•	Monitor Mount (螢幕固定座)
M6 Wrench (M6六角板手)	M6	•	Hand Screw x 4 (手旋螺絲 x 4)
Ancore x 4 Screw x 4 (壁虎 x 4 螺釘 x 4)		•	Fast Release Cable Manager (快拆理線環)

4 Noticed (注意事項)

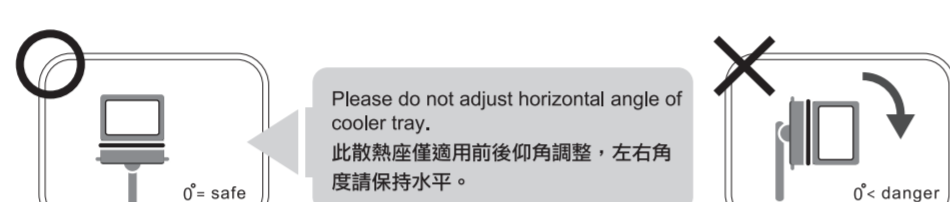
To avoid unexpected body injury or facility damage due to incorrect installation, please pay attention to the description of the user's manual.
避免因錯誤的使用方式，導致不必要的傷害或損失，組裝前請注意以下說明。



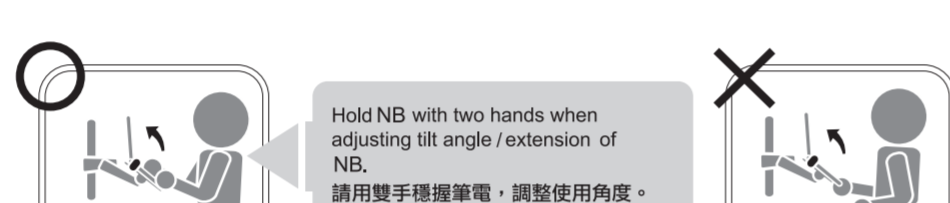
Please lift the cooler stand to the extreme upper position when removing NB from spring arm.
筆電從彈簧臂取下時，必須將支架移到最上端。



Use strap to secure the NB on the cooler tray.
安裝於散熱座上的筆電，需使用粘扣帶固定，避免碰撞掉落。



Please do not adjust horizontal angle of cooler tray.
此散熱座僅適用前後仰角調整，左右角度請保持水平。



Hold NB with two hands when adjusting tilt angle / extension of NB.
請用雙手穩握筆電，調整使用角度。

保固條款 (Scope of Guarantee)

- 客戶滿意是我們努力追求的目標，為維持提供客戶最完善的售後服務及關於消費者的權利，請仔細閱讀說明書內的資訊。
 - 為提高服務效率，請在維修保固及檢貨時提供購買發票或本保證書。
 - 在購買商品時，請務必填寫購買日期並加蓋店章，如有記載遺漏，會造成在保證期限內無法免費維修。
 - 如超過保固期，消費者必須負擔零件及維修服務費。
 - 請按說明書內之規格限制，正常使用本產品，如使用者使用超過產品規格之承受重量，造成產品受損故障，雖在保固期內，將不負責維修或消費者必須負擔零件及維修服務費。
- Consumer's satisfaction with our products is the goal that we have been heading for. To assure the best after-sale service to consumers and ensure consumer's rights, please read carefully the information stated in the instruction manual.
 - To enhance our service efficiency, please provide purchase invoice or warranty card if request for product maintenance or merchandise exchange.
 - The actual date of purchase and affixed seal by distributor on warranty card is required. Free after-sale service will not be guaranteed even under warranty period should any incomplete purchase information.
 - The costs of components and maintenance will be at consumer's expense should the product is invalid for warranty period.
 - Please refer to specification limitation specified in the instruction manual for correct usage. Even under the warranty period, this warranty does not cover the problems or damage resulting from the loading weight that exceeds the specification specified in the instruction manual; and the costs of components and maintenance will be at consumer's expense.

Warning:

Please lift arm up to highest position while removing the monitor. The monitor arm could bounce upward to cause personal injury when the weight of monitor is removed.

卸下螢幕時，請將支架移到最上端，因為維持平衡的螢幕重量被移除時，支架會反彈，可能會造成傷害。



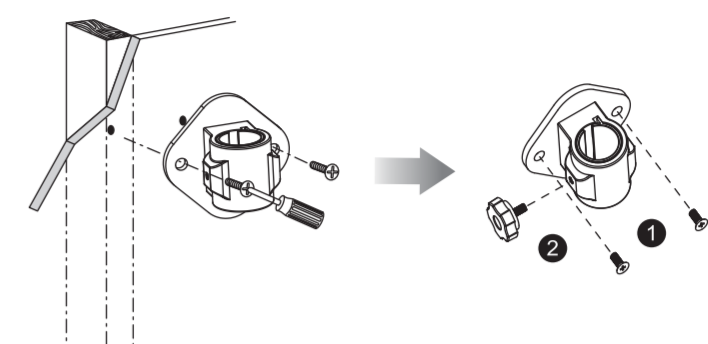
LCD ARM SYSTEM USER'S MANUAL
(螢幕支架使用手冊)

Warranty effective since 保固期間購買日	Year 年	Month 月	Day 日起
Seal by Distributor 販售店章			
※ Please read carefully warranty details stated in the instruction manual. 請詳閱說明書內保固條款說明			

1 Noticed (注意事項)

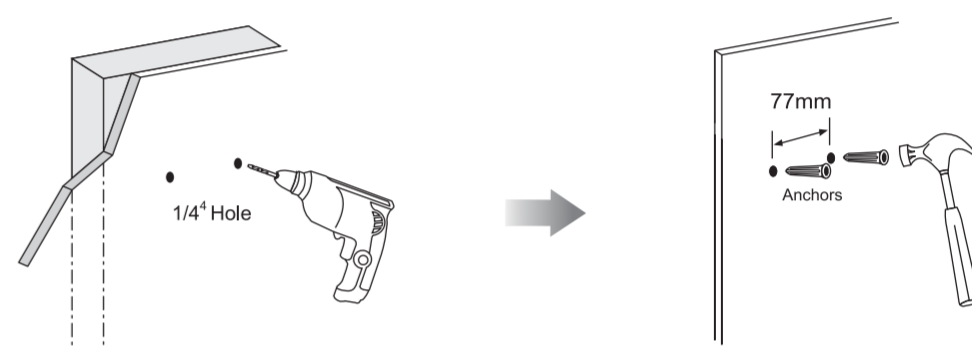
Wall Mount(壁掛型)

Wood (木質牆)



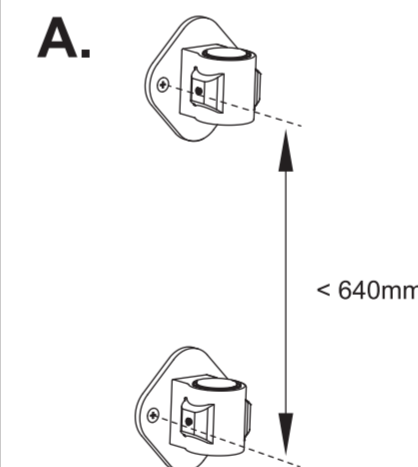
Fix the mount on the wall and fasten with hand screw
固定於牆面後 ① 再鎖上手旋螺絲 ②

Concrete(水泥壁)

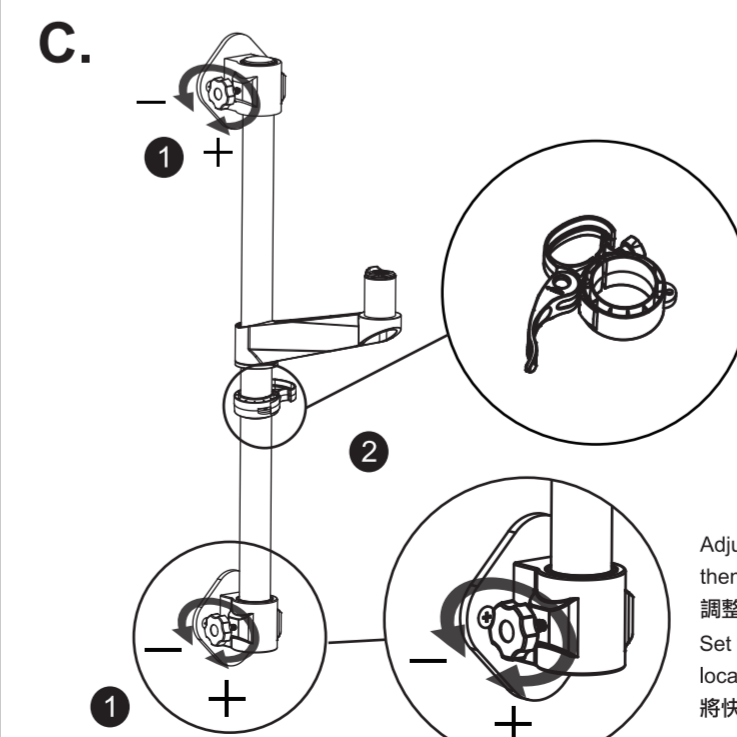


Nail the anchors into the holes
先將塑膠壁虎固定於牆上

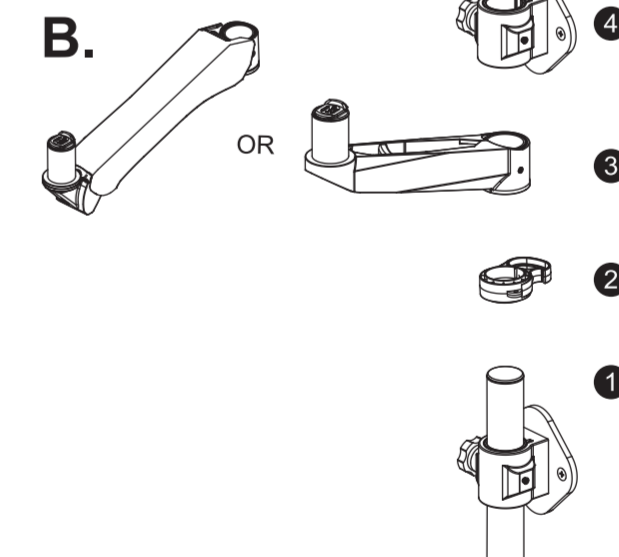
2 Installation Method of Mount Type (夾座安裝方法)



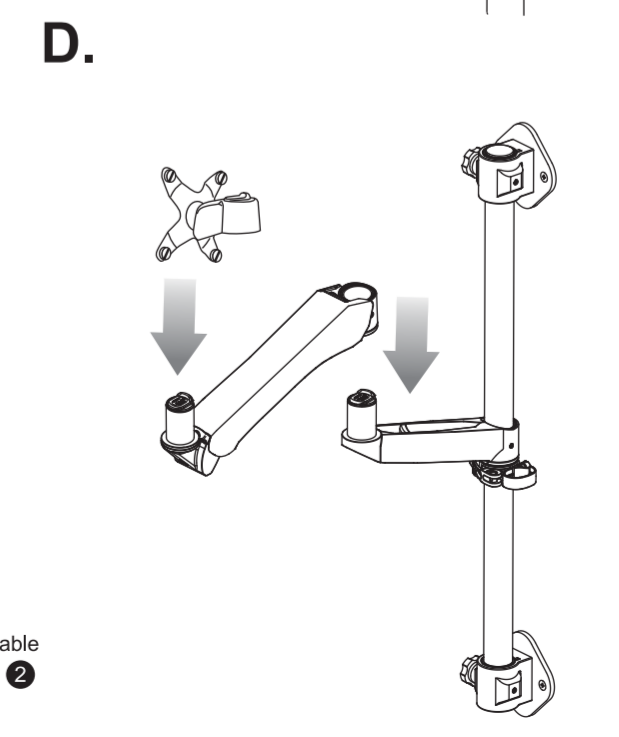
Keep the distance between the center of top and bottom mounting screws no exceeding 640mm.
請確認上下兩件之螺絲中心距離不超過640mm



Adjust the pole to proper position then tighten with hand screw. ①
調整鋁管位置鎖緊手旋螺絲 ①
Set the standard cable manager at suitable location then tighten it with the wrench. ②
將快拆理線環調整位置並固定 ②



Insert the pole upward through ① then place ② and ③ on the pole in sequence. At last, push the pole through ④ in final position before tightening.
將鋁管由下至上穿過固定牆面上的 ① 其次將配件 ② ③ 依序由上至下穿入鋁管 再將鋁管由下至上推穿過至固定件 ④



Assemble spring arm and holder set with swivel arm together
將組配好的 spring arm & holder 與 swivel 結合