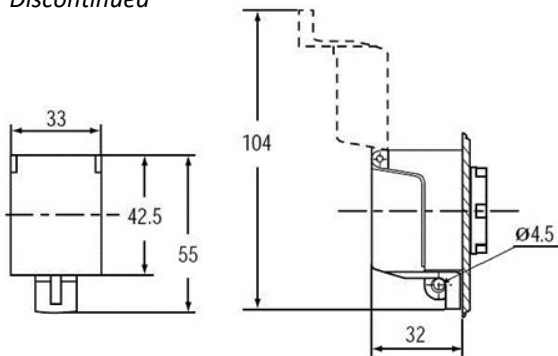


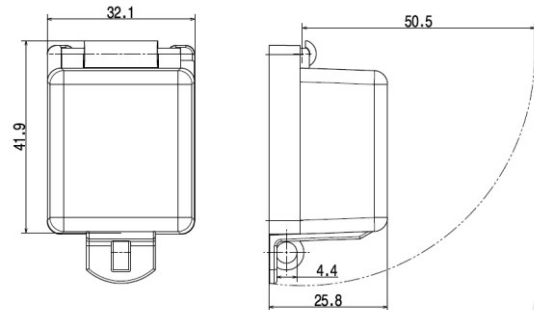
► PADLOCKABLE SHROUD

Dimensions

Discontinued



New



Dimension	Discontinued	New
Length (mm) (cover/cover + ankle)	42,5/55	41,9/50,5
Width (mm)	33	32,1
Height(mm)	32	25,8

Suitable for use with:	Discontinued version	New version
Flush Push button (Non illum+ illum)	YES	YES
Projecting Push button (Non illum+ illum)	YES	YES
Selector switch with handle (Non illum+ illum)	YES	YES
Selector switch with lever (Non illum+ illum)	NO	NO
Key selector switch(without key)	YES	NO
Double and Triple touch	NO	NO
Mushroom heads	NO	NO
Knob	YES	YES
BAM (Flush/Projecting)	YES	NO
USB/Buzzer	YES	NO
Potentiometer	YES	NO

► PADLOCKABLE SHROUD

Technical characteristics

	Data	Standards
► Protection index	IP69K Type 4x IK06	IEC 60529 NEMA Standards IEC 62262
► Operating temperature	Minimum : -25°C Maximum : +70°C	
► Storage Temperature	Minimum : -40°C Maximum : +70°C	
► Materials	Base: PA66 30% FG loaded Cover: PC	
► Certifications and conformity	CB test (IEC 60947-5-1); CE; CCC; UL and BV Compliant with RoHs and Reach	
► Packaging	Minimum Order Quantity = 5	
► Weight	9g	
► Guarantee	10 years guarantee	

Dimensions

