

KEITHLEY

Model 2701 Ethernet-Based DMM / Data Acquisition System

Service Manual

A GREATER MEASURE OF CONFIDENCE

WARRANTY

Keithley Instruments, Inc. warrants this product to be free from defects in material and workmanship for a period of 3 years from date of shipment.

Keithley Instruments, Inc. warrants the following items for 90 days from the date of shipment: probes, cables, rechargeable batteries, diskettes, and documentation.

During the warranty period, we will, at our option, either repair or replace any product that proves to be defective.

To exercise this warranty, write or call your local Keithley representative, or contact Keithley headquarters in Cleveland, Ohio. You will be given prompt assistance and return instructions. Send the product, transportation prepaid, to the indicated service facility. Repairs will be made and the product returned, transportation prepaid. Repaired or replaced products are warranted for the balance of the original warranty period, or at least 90 days.

LIMITATION OF WARRANTY

This warranty does not apply to defects resulting from product modification without Keithley's express written consent, or misuse of any product or part. This warranty also does not apply to fuses, software, non-rechargeable batteries, damage from battery leakage, or problems arising from normal wear or failure to follow instructions.

THIS WARRANTY IS IN LIEU OF ALL OTHER WARRANTIES, EXPRESSED OR IMPLIED, INCLUDING ANY IMPLIED WARRANTY OF MERCHANTABILITY OR FITNESS FOR A PARTICULAR USE. THE REMEDIES PROVIDED HEREIN ARE BUYER'S SOLE AND EXCLUSIVE REMEDIES.

NEITHER KEITHLEY INSTRUMENTS, INC. NOR ANY OF ITS EMPLOYEES SHALL BE LIABLE FOR ANY DIRECT, INDIRECT, SPECIAL, INCIDENTAL OR CONSEQUENTIAL DAMAGES ARISING OUT OF THE USE OF ITS INSTRUMENTS AND SOFTWARE EVEN IF KEITHLEY INSTRUMENTS, INC., HAS BEEN ADVISED IN ADVANCE OF THE POSSIBILITY OF SUCH DAMAGES. SUCH EXCLUDED DAMAGES SHALL INCLUDE, BUT ARE NOT LIMITED TO: COSTS OF REMOVAL AND INSTALLATION, LOSSES SUSTAINED AS THE RESULT OF INJURY TO ANY PERSON, OR DAMAGE TO PROPERTY.

KEITHLEY

Keithley Instruments, Inc.

28775 Aurora Road • Cleveland, Ohio 44139 • 440-248-0400 • Fax: 440-248-6168
1-888-KEITHLEY (534-8453) • www.keithley.com

Sales Offices:	BELGIUM:	Bergensesteenweg 709 • B-1600 Sint-Pieters-Leeuw • 02-363 00 40 • Fax: 02/363 00 64
	CHINA:	Yuan Chen Xin Building, Room 705 • 12 Yumin Road, Dewai, Madian • Beijing 100029 • 8610-6202-2886 • Fax: 8610-6202-2892
	FINLAND:	Tietäjantie 2 • 02130 Espoo • Phone: 09-54 75 08 10 • Fax: 09-25 10 51 00
	FRANCE:	3, allée des Garays • 91127 Palaiseau Cédex • 01-64 53 20 20 • Fax: 01-60 11 77 26
	GERMANY:	Landsberger Strasse 65 • 82110 Germering • 089/84 93 07-40 • Fax: 089/84 93 07-34
	GREAT BRITAIN:	Unit 2 Commerce Park, Brunel Road • Theale • Berkshire RG7 4AB • 0118 929 7500 • Fax: 0118 929 7519
	INDIA:	Flat 2B, Willocrissa • 14, Rest House Crescent • Bangalore 560 001 • 91-80-509-1320/21 • Fax: 91-80-509-1322
	ITALY:	Viale San Gimignano, 38 • 20146 Milano • 02-48 39 16 01 • Fax: 02-48 30 22 74
	JAPAN:	New Pier Takeshiba North Tower 13F • 11-1, Kaigan 1-chome • Minato-ku, Tokyo 105-0022 • 81-3-5733-7555 • Fax: 81-3-5733-7556
	KOREA:	2FL., URI Building • 2-14 Yangjae-Dong • Seocho-Gu, Seoul 137-888 • 82-2-574-7778 • Fax: 82-2-574-7838
	NETHERLANDS:	Postbus 559 • 4200 AN Gorinchem • 0183-635333 • Fax: 0183-630821
	SWEDEN:	c/o Regus Business Centre • Frosundaviks Allé 15, 4tr • 169 70 Solna • 08-509 04 679 • Fax: 08-655 26 10
	SWITZERLAND:	Kriesbachstrasse 4 • 8600 Dübendorf • 01-821 94 44 • Fax: 01-820 30 81
	TAIWAN:	1FL., 85 Po Ai Street • Hsinchu, Taiwan, R.O.C. • 886-3-572-9077 • Fax: 886-3-572-9031

Model 2701 Ethernet-Based DMM / Data Acquisition System Service Manual

©2002, Keithley Instruments, Inc.
All rights reserved.
Cleveland, Ohio, U.S.A.
First Printing, June 2002
Document Number: 2701-902-01 Rev. A

Manual Print History

The print history shown below lists the printing dates of all Revisions and Addenda created for this manual. The Revision Level letter increases alphabetically as the manual undergoes subsequent updates. Addenda, which are released between Revisions, contain important change information that the user should incorporate immediately into the manual. Addenda are numbered sequentially. When a new Revision is created, all Addenda associated with the previous Revision of the manual are incorporated into the new Revision of the manual. Each new Revision includes a revised copy of this print history page.

Revision A (Document Number 2701-902-01) June 2002

The following safety precautions should be observed before using this product and any associated instrumentation. Although some instruments and accessories would normally be used with non-hazardous voltages, there are situations where hazardous conditions may be present.

This product is intended for use by qualified personnel who recognize shock hazards and are familiar with the safety precautions required to avoid possible injury. Read and follow all installation, operation, and maintenance information carefully before using the product. Refer to the manual for complete product specifications.

If the product is used in a manner not specified, the protection provided by the product may be impaired.

The types of product users are:

Responsible body is the individual or group responsible for the use and maintenance of equipment, for ensuring that the equipment is operated within its specifications and operating limits, and for ensuring that operators are adequately trained.

Operators use the product for its intended function. They must be trained in electrical safety procedures and proper use of the instrument. They must be protected from electric shock and contact with hazardous live circuits.

Maintenance personnel perform routine procedures on the product to keep it operating properly, for example, setting the line voltage or replacing consumable materials. Maintenance procedures are described in the manual. The procedures explicitly state if the operator may perform them. Otherwise, they should be performed only by service personnel.

Service personnel are trained to work on live circuits, and perform safe installations and repairs of products. Only properly trained service personnel may perform installation and service procedures.

Keithley products are designed for use with electrical signals that are rated Installation Category I and Installation Category II, as described in the International Electrotechnical Commission (IEC) Standard IEC 60664. Most measurement, control, and data I/O signals are Installation Category I and must not be directly connected to mains voltage or to voltage sources with high transient over-voltages. Installation Category II connections require protection for high transient over-voltages often associated with local AC mains connections. Assume all measurement, control, and data I/O connections are for connection to Category I sources unless otherwise marked or described in the Manual.

Exercise extreme caution when a shock hazard is present. Lethal voltage may be present on cable connector jacks or test fixtures. The American National Standards Institute (ANSI) states that a shock hazard exists when voltage levels greater than 30V RMS, 42.4V peak, or 60VDC are present. **A good safety practice is to expect that hazardous voltage is present in any unknown circuit before measuring.**

Operators of this product must be protected from electric shock at all times. The responsible body must ensure that operators are prevented access and/or insulated from every connection point. In some cases, connections must be exposed to potential human contact. Product operators in these circumstances must be trained to protect themselves from the risk of electric shock. If the circuit is capable of operating at or above 1000 volts, **no conductive part of the circuit may be exposed.**

Do not connect switching cards directly to unlimited power circuits. They are intended to be used with impedance limited sources. NEVER connect switching cards directly to AC mains. When connecting sources to switching cards, install protective devices to limit fault current and voltage to the card.

Before operating an instrument, make sure the line cord is connected to a properly grounded power receptacle. Inspect the connecting cables, test leads, and jumpers for possible wear, cracks, or breaks before each use.

When installing equipment where access to the main power cord is restricted, such as rack mounting, a separate main input power disconnect device must be provided, in close proximity to the equipment and within easy reach of the operator.

For maximum safety, do not touch the product, test cables, or any other instruments while power is applied to the circuit under test. ALWAYS remove power from the entire test system and discharge any capacitors before: connecting or disconnecting ca-

bles or jumpers, installing or removing switching cards, or making internal changes, such as installing or removing jumpers.

Do not touch any object that could provide a current path to the common side of the circuit under test or power line (earth) ground. Always make measurements with dry hands while standing on a dry, insulated surface capable of withstanding the voltage being measured.



The instrument and accessories must be used in accordance with its specifications and operating instructions or the safety of the equipment may be impaired.


Do not exceed the maximum signal levels of the instruments and accessories, as defined in the specifications and operating information, and as shown on the instrument or test fixture panels, or switching card.


When fuses are used in a product, replace with same type and rating for continued protection against fire hazard.

Chassis connections must only be used as shield connections for measuring circuits, NOT as safety earth ground connections.

If you are using a test fixture, keep the lid closed while power is applied to the device under test. Safe operation requires the use of a lid interlock.

If  or  is present, connect it to safety earth ground using the wire recommended in the user documentation.

The  symbol on an instrument indicates that the user should refer to the operating instructions located in the manual.

The  symbol on an instrument shows that it can source or measure 1000 volts or more, including the combined effect of normal and common mode voltages. Use standard safety precautions to avoid personal contact with these voltages.

The **WARNING** heading in a manual explains dangers that might result in personal injury or death. Always read the associated information very carefully before performing the indicated procedure.

The **CAUTION** heading in a manual explains hazards that could damage the instrument. Such damage may invalidate the warranty.

Instrumentation and accessories shall not be connected to humans.

Before performing any maintenance, disconnect the line cord and all test cables.

To maintain protection from electric shock and fire, replacement components in mains circuits, including the power transformer, test leads, and input jacks, must be purchased from Keithley Instruments. Standard fuses, with applicable national safety approvals, may be used if the rating and type are the same. Other components that are not safety related may be purchased from other suppliers as long as they are equivalent to the original component. (Note that selected parts should be purchased only through Keithley Instruments to maintain accuracy and functionality of the product.) If you are unsure about the applicability of a replacement component, call a Keithley Instruments office for information.

To clean an instrument, use a damp cloth or mild, water based cleaner. Clean the exterior of the instrument only. Do not apply cleaner directly to the instrument or allow liquids to enter or spill on the instrument. Products that consist of a circuit board with no case or chassis (e.g., data acquisition board for installation into a computer) should never require cleaning if handled according to instructions. If the board becomes contaminated and operation is affected, the board should be returned to the factory for proper cleaning/servicing.

Table of Contents

1	Performance Verification	
	Introduction	1-2
	Verification test requirements	1-3
	Environmental conditions	1-3
	Warm-up period	1-3
	Line power	1-3
	Recommended test equipment	1-4
	Verification limits	1-5
	Example reading limit calculation	1-5
	Calculating resistance reading limits	1-5
	Restoring factory defaults	1-5
	Performing the verification test procedures	1-6
	Verification test summary	1-6
	Test considerations	1-7
	Model 2701 verification	1-8
	Verifying DC voltage	1-8
	Verifying AC voltage	1-10
	Verifying DC current	1-12
	Verifying AC current	1-13
	Verifying resistance	1-14
	Verifying temperature	1-16
	Verifying frequency	1-18
	Model 7700 verification	1-18
	Verifying DC voltage	1-18
	Verifying AC voltage	1-20
	Verifying DC current	1-22
	Verifying AC current	1-24
	Verifying resistance	1-25
	Verifying temperature	1-28
	Verifying frequency	1-31
	Verifying ratio and average	1-32
2	Calibration	
	Introduction	2-2
	Environmental conditions	2-2
	Warm-up period	2-2
	Line power	2-2
	Calibration considerations	2-3
	Calibration code	2-4
	Front panel calibration code	2-4
	Remote calibration code	2-4

Comprehensive calibration	2-5
Calibration cycle	2-5
Recommended equipment	2-5
Aborting calibration	2-6
Front panel calibration	2-6
Remote calibration	2-13
Manufacturing calibration	2-19
Recommended test equipment	2-19
Calibration card preparation	2-19
Unlocking manufacturing calibration	2-19
Measuring function generator signal amplitude	2-20
Front panel manufacturing calibration	2-20
Remote manufacturing calibration	2-21
Model 7700 calibration	2-22
Recommended test equipment	2-22
Calibration card connections	2-22
Model 7700 calibration	2-22

3 Routine Maintenance

Introduction	3-2
Setting the line voltage and replacing the line fuse	3-2
Replacing the front terminal AMPS fuse	3-4
Replacing Model 7700 plug-in module amps fuses	3-5
Replacing non-volatile RAM battery	3-6
Plug-in module relay closure count	3-7
Closure count commands	3-7
Reading relay closure count	3-7
Resetting relay closure count	3-8
Setting count update interval	3-8

4 Troubleshooting

Introduction	4-2
Repair considerations	4-2
Power-on self-tests	4-3
RAM and EPROM tests	4-3
Flash memory tests	4-3
Front panel tests	4-4
KEY test	4-4
DISP test	4-4
Principles of operation	4-5
Power supply	4-5
Display board	4-6
Digital circuitry	4-8
Analog circuitry	4-10

Troubleshooting	4-13
Display board checks	4-13
Power supply checks	4-13
Digital circuitry checks	4-14
Analog signal switching states	4-14

5 Disassembly

Introduction	5-2
Handling and cleaning	5-2
Handling PC boards	5-2
Solder repairs	5-2
Static sensitive devices	5-3
Assembly drawings	5-3
Disassembly procedures	5-4
Case cover removal	5-4
Motherboard removal	5-4
Card cage removal	5-5
Front panel disassembly	5-5
Removing power components	5-6
Instrument reassembly	5-7
Input terminal wire connections	5-7
Power module wire connections	5-7

6 Replaceable Parts

Introduction	6-2
Parts lists	6-2
Ordering information	6-2
Factory service	6-2
Component layouts	6-2

A Specifications

Accuracy calculations	A-2
Calculating DC characteristics accuracy	A-2
Calculating AC characteristics accuracy	A-2
Calculating dBm characteristics accuracy	A-3
Calculating dB characteristics accuracy	A-4
Additional derating factors	A-4
Optimizing measurement accuracy	A-5
DC voltage, DC current, and resistance:	A-5
AC voltage and AC current:	A-5
Temperature:	A-5

Optimizing measurement speed	A-5
DC voltage, DC current, and resistance:	A-5
AC voltage and AC current:	A-5
Temperature:	A-5

B Calibration Reference

Introduction	B-2
Command summary	B-2
Miscellaneous calibration commands	B-4
:CODE	B-4
:COUNT?	B-4
:INIT	B-5
:LOCK	B-5
:LOCK?	B-6
:SAVE	B-6
:DATE	B-7
:NDUE	B-7
:DATA?	B-8
DC calibration commands	B-9
:STEP1	B-9
:STEP2	B-10
:STEP3	B-10
:STEP4	B-10
:STEP5	B-11
:STEP6	B-11
:STEP7	B-11
:STEP8	B-12
:STEP9	B-12
:STEP10	B-12
:STEP11	B-13
:STEP12	B-13
AC calibration commands	B-14
:AC:STEP<n>	B-15
Manufacturing calibration commands	B-16
:AC:STEP<14 15>	B-16
:DC:STEP0	B-16

Model 7700 calibration commands	B-17
:CODE	B-18
:COUNT?	B-18
:DATE?	B-19
:INIT	B-19
:LOCK	B-20
:LOCK?	B-20
:RCOUNT	B-20
:SAVE	B-21
:STEP0	B-21
Remote error reporting	B-22
Error summary	B-22
Error queue	B-24
Status byte EAV (Error Available) bit	B-24
Detecting calibration step completion	B-24

List of Illustrations

1	Performance Verification	
Figure 1-1	Connections for Model 2701 DC volts verification	1-8
Figure 1-2	Connections for Model 2701 AC volts verification	1-10
Figure 1-3	Connections for Model 2701 DC current verification	1-12
Figure 1-4	Connections for Model 2701 AC current verification	1-13
Figure 1-5	Connections for Model 2701 resistance verification (100Ω to 10MΩ ranges)	1-14
Figure 1-6	Connections for Model 2701 resistance verification (100MΩ range)	1-15
Figure 1-7	Connections for Model 2701 frequency verification	1-18
Figure 1-8	Connections for Model 7700 DC volts verification	1-19
Figure 1-9	Connections for Model 7700 AC volts verification	1-20
Figure 1-10	Connections for Model 7700 DC current verification	1-22
Figure 1-11	Connections for Model 7700 AC current verification	1-24
Figure 1-12	Connections for Model 7700 resistance verification (100Ω to 10MΩ ranges)	1-25
Figure 1-13	Connections for Model 7700 resistance verification (100MΩ range)	1-27
Figure 1-14	Connections for Model 7700 thermocouple temperature verification	1-29
Figure 1-15	Connections for Model 7700 frequency verification	1-31
Figure 1-16	Connections for Model 7700 ratio and average verification	1-32
2	Calibration	
Figure 2-1	Low thermal short connections	2-7
Figure 2-2	Connections for DC volts and ohms calibration	2-8
Figure 2-3	Connections for DC and AC amps calibration	2-10
Figure 2-4	Connections for AC volts calibration	2-11
Figure 2-5	Function generator connections for manufacturing calibration	2-20
3	Routine Maintenance	
Figure 3-1	Power module	3-3
Figure 3-2	Front terminal AMPS fuse	3-4
Figure 3-3	Model 7700 amps fuses	3-5
4	Troubleshooting	
Figure 4-1	Power supply block diagram	4-5
Figure 4-2	Digital circuitry block diagram	4-7
Figure 4-3	Analog circuitry block diagram	4-11
Figure 4-4	Ohms open-lead sense detection block diagram	4-12

List of Tables

1	Performance Verification	
Table 1-1	Recommended verification equipment	1-4
Table 1-2	DCV reading limits	1-9
Table 1-3	ACV reading limits	1-11
Table 1-4	DCI limits	1-12
Table 1-5	ACI limits	1-13
Table 1-6	Limits for resistance verification	1-15
Table 1-7	Thermocouple temperature verification reading limits	1-16
Table 1-8	Four-wire RTD temperature verification reading limits	1-17
Table 1-9	Plug-in module DCV reading limits	1-19
Table 1-10	Plug-in module ACV reading limits	1-21
Table 1-11	Plug-in module DCI limits	1-23
Table 1-12	Plug-in module ACI limits	1-24
Table 1-13	Limits for plug-in module resistance verification	1-26
Table 1-14	Model 7700 thermocouple temperature verification reading limits	1-29
Table 1-15	Plug-in module four-wire RTD temperature verification reading limits	1-30
2	Calibration	
Table 2-1	Recommended equipment for comprehensive calibration	2-5
Table 2-2	Comprehensive calibration procedures	2-7
Table 2-3	DC volts calibration summary	2-9
Table 2-4	Ohms calibration summary	2-9
Table 2-5	DC current calibration summary	2-10
Table 2-6	AC voltage calibration summary	2-11
Table 2-7	AC current calibration summary	2-12
Table 2-8	DC voltage calibration programming steps	2-15
Table 2-9	Resistance calibration programming steps	2-15
Table 2-10	DC current calibration programming steps	2-16
Table 2-11	AC voltage calibration programming steps	2-17
Table 2-12	AC current calibration programming steps	2-18
Table 2-13	Recommended equipment for manufacturing calibration ...	2-19
Table 2-14	Recommended equipment for Model 7700 calibration	2-22
3	Routine Maintenance	
Table 3-1	Power line fuse	3-3
Table 3-2	Closure count commands	3-7

4

Troubleshooting

Table 4-1	Flash memory failure modes	4-3
Table 4-2	Power supply components	4-6
Table 4-3	Display board checks	4-13
Table 4-4	Power supply checks	4-13
Table 4-5	Digital circuitry checks	4-14
Table 4-6	DCV signal switching	4-14
Table 4-8	$\Omega 2$ signal switching	4-15
Table 4-7	ACV and FREQ signal switching	4-15
Table 4-10	$\Omega 2/\Omega 4$ reference switching	4-16
Table 4-11	DCA signal switching	4-16
Table 4-9	$\Omega 4$ signal switching	4-16
Table 4-13	DCV signal multiplexing and gain	4-17
Table 4-14	ACV and ACA signal multiplexing and gain	4-17
Table 4-12	ACA signal switching	4-17
Table 4-16	$\Omega 2$ signal multiplexing and gain	4-18
Table 4-17	$\Omega 4$ signal multiplexing and gain	4-18
Table 4-15	DCA signal multiplexing and gain	4-18
Table 4-18	Switching device locations	4-19

5

Disassembly

Table 5-1	Input terminal wire colors	5-7
Table 5-2	Power module wire colors	5-7

6

Replaceable Parts

Table 6-1	Model 2701 motherboard parts list	6-3
Table 6-2	Model 2701 display board parts list	6-11
Table 6-3	Model 2701 backplane board parts list	6-11
Table 6-4	Model 2701 miscellaneous parts list	6-12
Table 6-5	Model 7700 parts list	6-13

B

Calibration Reference

Table B-1	Remote calibration command summary	B-2
Table B-2	DC calibration commands	B-9
Table B-3	AC calibration commands	B-14
Table B-4	Model 7700 calibration commands	B-17
Table B-5	Calibration error summary	B-22

Performance Verification

Introduction

Use the procedures in this section to verify that Model 2701 Ethernet Multimeter/Data Acquisition System accuracy is within the limits stated in the instrument's one-year accuracy specifications. You can perform these verification procedures:

- Upon receiving the instrument, make sure it was not damaged during shipment and the unit meets factory specifications.
- If the instrument's accuracy is questionable.
- Following calibration.

WARNING The information in this section is intended only for qualified service personnel. Do not attempt these procedures unless you are qualified to do so.

NOTE *If the instrument is still under warranty and its performance is outside specified limits, contact your Keithley representative or the factory to determine the correct course of action. If the unit is not under warranty and it fails to meet specified limits, refer to the calibration procedures in [Section 2](#).*

There are two general verification procedures in this section:

- **Model 2701 verification** — Covers procedures to verify measurement accuracy of the Model 2701 using the front panel terminals.
- **Model 7700 verification** — Discusses procedures to verify accuracy of measurement made through the Model 7700 20-Channel Multiplexer. Note that the same general procedures can be used to verify measurement accuracy of other Model 2701 plug-in modules that have similar functions. For specific information about the individual modules, refer to the appropriate appendices in the Model 2701 User's Manual.

Verification test requirements

Be sure that you perform the verification tests:

- Under the proper environmental conditions.
- After the specified warm-up period.
- Using the correct line voltage.
- Using the proper calibration equipment.
- Using the specified reading limits.

Environmental conditions

Conduct your performance verification procedures in a test environment that has:

- An ambient temperature of 18° to 28°C (65° to 82°F).
- A relative humidity of less than 80% unless otherwise noted.

Warm-up period

Allow the Model 2701 to warm up for at least two hours before conducting the verification procedures.

If the instrument has been subjected to temperature extremes (those outside the ranges stated above), allow additional time for the instrument's internal temperature to stabilize. Typically, allow one extra hour to stabilize a unit that is 10°C (18°F) outside the specified temperature range.

Also, allow the test equipment to warm up for the minimum time specified by the manufacturer.

Line power

The Model 2701 requires a line voltage of 100V/120V/220V/240V $\pm 10\%$ and a line frequency of 45Hz to 66Hz or 360Hz to 440Hz. Note that the line frequency is automatically sensed at power-up, but the line voltage must be manually set to either 100V/120V or 220V/240V as described in [Section 3](#).

Recommended test equipment

Table 1-1 summarizes recommended verification equipment. You can use alternate equipment as long as that equipment has specifications at least as good as those listed in Table 1-1. Keep in mind, however, that calibrator uncertainty will add to the uncertainty of each measurement.

Table 1-1
Recommended verification equipment

<i>Fluke 5700A Calibrator:</i>				
DC voltage	AC voltage (1kHz, 50kHz)	DC current	AC current (1kHz)	Resistance
100mV \pm 14ppm 1.0V \pm 7ppm 10V \pm 5ppm 100V \pm 7ppm 1000V \pm 9ppm	100mV \pm 200ppm 1.0V \pm 82ppm 10V \pm 82ppm 100V \pm 90ppm 700V \pm 85ppm	20mA \pm 60ppm 100mA \pm 70ppm 1A \pm 110ppm 2.2A \pm 94ppm	1A \pm 690ppm 2.2A \pm 682ppm	100 Ω \pm 17ppm 1k Ω \pm 12ppm 10k Ω \pm 11ppm 100k Ω \pm 13ppm 1M Ω \pm 18ppm 10M Ω \pm 37ppm 100M Ω \pm 120ppm
Fluke 5725A Amplifier: AC Voltage, 50kHz, 700V, \pm 375ppm DC Current, 3A, \pm 500ppm AC Current, 1kHz, 3A, \pm 457ppm				
Stanford Research Systems DS345 Function Generator: 1V RMS 1kHz, \pm 5ppm				
General Radio 1433-T Precision Decade Resistance Box: 10 Ω to 400 Ω , \pm 0.02%				
Miscellaneous Equipment: Double banana plug to double banana plug shielded cables (2) BNC to double banana plug shielded cable				

NOTE: The Fluke 5725A amplifier is necessary only if you wish to verify the 750V AC range at 50kHz and 3A AC and DC current ranges at 3A. Verification at 220V, 50kHz, and 2.2A on the current ranges using only the 5700A calibrator is adequate for most applications.

Verification limits

The verification limits stated in this section have been calculated using only the Model 2701 one-year accuracy specifications, and they do not include test equipment uncertainty. If a particular measurement falls slightly outside the allowable range, recalculate new limits based on both Model 2701 specifications and pertinent calibration equipment specifications.

Example reading limit calculation

The following is an example of how reading limits have been calculated. Assume you are testing the 10V DC range using a 10V input value. Using the Model 2701 one-year accuracy specification for 10V DC of \pm (30ppm of reading + 5ppm of range), the calculated limits are:

$$\text{Reading limits} = 10V \pm [(10V \times 30\text{ppm}) + (10V \times 5\text{ppm})]$$

$$\text{Reading limits} = 10V \pm (0.0003 + 0.00005)$$

$$\text{Reading limits} = 10V \pm 0.00035V$$

$$\text{Reading limits} = 9.99965V \text{ to } 10.00035V$$

Calculating resistance reading limits

Resistance reading limits must be recalculated based on the actual calibration resistance values supplied by the equipment manufacturer. Calculations are performed in the same manner as shown in the preceding example, except, of course, that you should use the actual calibration resistance values instead of the nominal values when performing your calculations.

For example, assume that you are testing the 10k Ω range using an actual 10.03k Ω calibration resistance value. Using Model 2701 one-year 10k Ω range accuracy of \pm (100ppm of reading + 6ppm of range), the calculated reading limits are:

$$\text{Reading limits} = 10.03\text{k}\Omega \pm [(10.03\text{k}\Omega \times 100\text{ppm}) + (10\text{k}\Omega \times 6\text{ppm})]$$

$$\text{Reading limits} = 10.02894\text{k}\Omega \text{ to } 10.03106\text{k}\Omega$$

Restoring factory defaults

Before performing the verification procedures, restore the instrument to its factory defaults as follows:

1. Press **SHIFT** and then **SETUP**. The instrument will display the following prompt:
RESTORE: FACT.
2. Using either range key, select **FACT**, then restore the factory default conditions by pressing **ENTER**.

Performing the verification test procedures

Verification test summary

Verification tests can be performed either through the Model 2701 front panel terminals or through plug-in modules. This section contains the following procedures:

- **Model 2701 verification** — Use this procedure to test Model 2701 accuracy through the front panel terminals.
- **Model 7700 verification** — Use this procedure to test accuracy through any of the available plug-in modules with the same functions as the Model 7700 20-Channel Multiplexer Card.

Model 2701 tests

Model 2701 verification test procedures include:

- DC volts
- AC volts
- DC current
- AC current
- Resistance
- Temperature
- Frequency

Model 7700 tests

Model 7700 verification test procedures include:

- DC volts
- AC volts
- DC current
- AC current
- Resistance
- Temperature
- Frequency
- Ratio and average

Test considerations

When performing the verification procedures:

- Be sure to restore factory defaults as outlined above.
- Make sure that the equipment is properly warmed up and connected to the correct input terminals. Also, make sure that the INPUTS switch is in the correct position.
- Do not use autoranging for any verification tests, because autorange hysteresis may cause the Model 2701 to be on an incorrect range. For each test signal, you must manually set the correct range for the Model 2701 using the range keys.
- Make sure the calibrator is in operate before you verify each measurement.
- Always let the source signal settle before taking a reading.

WARNING Observe the following safety precautions when performing these tests:

- Some of the procedures in this section may expose you to dangerous voltages. Use standard safety precautions when such dangerous voltages are encountered to avoid personal injury or death caused by electric shock.
- For the front panel terminals only, the maximum common-mode voltage (voltage between INPUT LO and chassis ground) is 500V peak. Exceeding this value may cause a breakdown in insulation, creating a shock hazard.
- For the plug-in modules, the maximum common-mode voltage (voltage between any plug-in module terminal and chassis ground) is 300V DC or 300V RMS. Exceeding this value may cause a breakdown in insulation, creating a shock hazard.
- When using the front panel terminals simultaneously with plug-in modules, all cable insulation voltage ratings must equal or exceed the maximum voltage applied to either the front panel terminals or the plug-in module terminals.

Model 2701 verification

Perform these tests to verify accuracy using the Model 2701 front panel terminals.

Verifying DC voltage

Check DC voltage accuracy by applying accurate voltages from the DC voltage calibrator to the Model 2701 INPUT jacks and verifying that the displayed readings fall within specified limits.

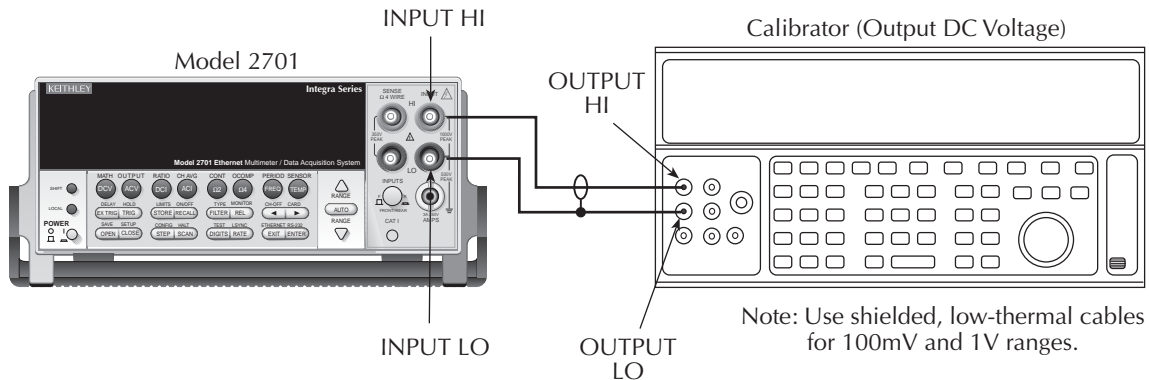
CAUTION Do not exceed 1000V peak between front terminals INPUT HI and INPUT LO because instrument damage may occur.

Follow these steps to verify DC voltage accuracy:

1. Connect the Model 2701 HI and LO INPUT jacks to the DC voltage calibrator as shown in Figure 1-1. Make sure the INPUTS switch is set to the FRONT position.

NOTE Use shielded, low-thermal connections when testing the 100mV and 1V ranges to avoid errors caused by noise or thermal effects. Connect the shield to the calibrator's output LO terminal.

Figure 1-1
Connections for Model 2701 DC volts verification



2. Select the DC volts function by pressing the **DCV** key and set the Model 2701 to the 100mV range.
3. Set the calibrator output to 0.00000mV DC and allow the reading to settle.
4. Enable the Model 2701 REL mode. Leave REL enabled for the remainder of the DC volts verification tests.
5. Source positive and negative and full-scale voltages for each of the ranges listed in [Table 1-2](#). For each voltage setting, be sure that the reading is within stated limits.

Table 1-2*DCV reading limits*

Range	Applied DC voltage*	Reading limits (1 year, 18° to 28°C)
100mV	100.0000mV	99.9935 to 100.0065mV
1V	1.000000V	0.999963 to 1.000037V
10V	10.00000V	9.99965 to 10.00035V
100V	100.0000V	99.9946 to 100.0054V
1000V	1000.000V	999.941 to 1000.059V

*Source positive and negative values for each range.

Verifying AC voltage

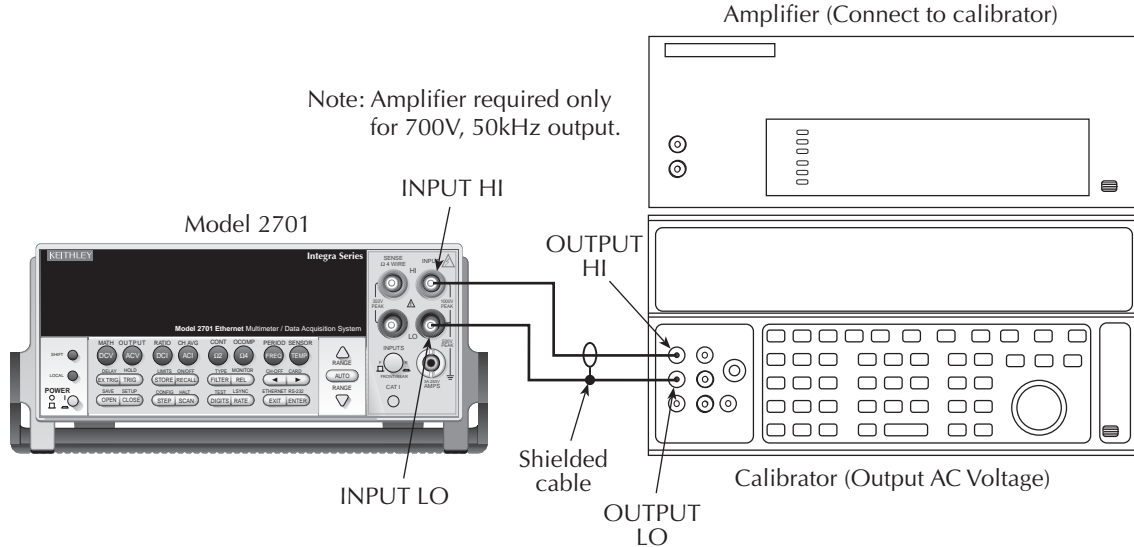
Check AC voltage accuracy by applying accurate AC voltages at specific frequencies from the AC voltage calibrator to the Model 2701 inputs and verifying that the displayed readings fall within specified ranges.

CAUTION Do not exceed 1000V peak between front terminals INPUT HI and INPUT LO, or $8 \times 10^7 \text{ V} \cdot \text{Hz}$ input, because instrument damage may occur.

Follow these steps to verify AC voltage accuracy:

1. Connect the Model 2701 HI and LO INPUT jacks to the AC voltage calibrator as shown in Figure 1-2. Be sure the INPUTS switch is in the FRONT position.

Figure 1-2
Connections for Model 2701 AC volts verification



2. Select the AC volts function by pressing the ACV key.
3. Set the Model 2701 for the 100mV range; make sure that REL is disabled.
4. Source 1kHz and 50kHz AC voltages for each of the ranges summarized in [Table 1-3](#) and make sure that the respective Model 2701 readings fall within stated limits.

Table 1-3*ACV reading limits*

ACV range	Applied AC voltage	1kHz reading limits (1 year, 18°C to 28°C)	50kHz reading limits (1 year, 18°C to 28°C)
100mV	100.0000mV	99.910 to 100.090mV	99.830 to 100.170mV
1V	1.000000V	0.99910 to 1.00090V	0.99830 to 1.00170V
10V	10.00000V	9.9910 to 10.0090V	9.98300 to 10.0170V
100V	100.0000V	99.910 to 100.090V	99.830 to 100.170V
750V	700.000V*	699.36 to 700.64V	698.79 to 701.21V

* If the 5725A amplifier is not available, change the 700V @ 50kHz step to 220V @ 50kHz. Reading limits for 220V @ 50kHz = 219.36 to 220.64V.

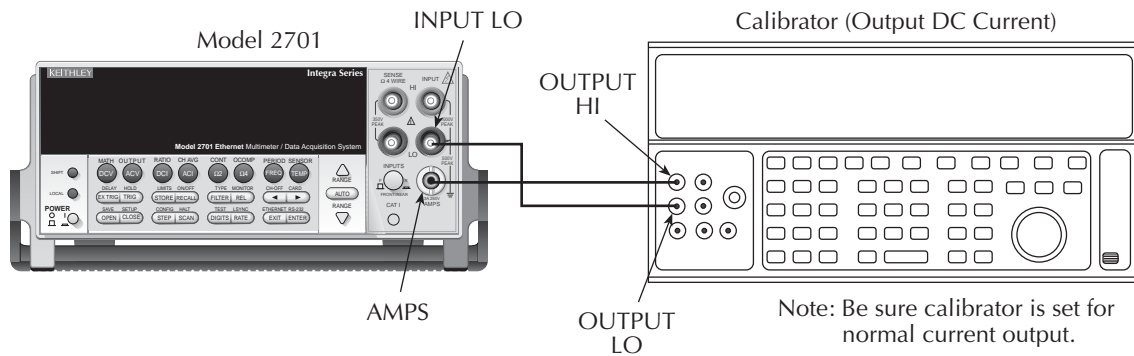
Verifying DC current

Check DC current accuracy by applying accurate DC currents from the DC current calibrator to the AMPS input of the Model 2701 and verifying that the displayed readings fall within specified limits.

Follow these steps to verify DC current accuracy:

1. Connect the Model 2701 AMPS and INPUT LO jacks to the calibrator as shown in [Figure 1-3](#). Be sure the INPUTS switch is in the FRONT position.

Figure 1-3
Connections for Model 2701 DC current verification



2. Select the DC current measurement function by pressing the **DCI** key.
3. Set the Model 2701 for the 20mA range.
4. Source positive and negative full-scale currents for each of the ranges listed in [Table 1-4](#) and verify that the readings for each range are within stated limits.

Table 1-4
DCI limits

DCI range	Applied DC current*	Reading limits (1 year, 18°C to 28°C)
20mA	20.0000mA	19.98840 to 20.011160mA
100mA	100.0000mA	99.8700 to 100.1300mA
1A	1.000000A	0.999120 to 1.000880A
3A	3.000000A**	2.99628 to 3.00372A

* Source positive and negative currents with values shown.

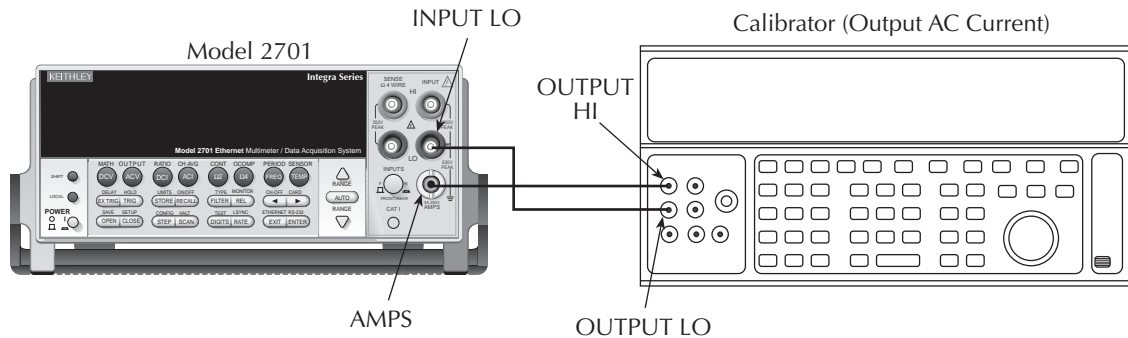
** If the Fluke 5725 amplifier is not available, apply 2.2A from calibrator. Reading limits for 2.2A input are: 2.197240 to 2.202760A.

Verifying AC current

Check AC current accuracy by applying accurate AC voltage current at specific frequencies from the AC current calibrator to the Model 2701 input, verifying that the displayed readings fall within specified limits. Follow these steps to verify AC current.

1. Connect the Model 2701 AMPS and INPUT LO jacks to the calibrator as shown in [Figure 1-4](#). Be sure the INPUTS switch is in the FRONT position.

Figure 1-4
Connections for Model 2701 AC current verification



2. Select the AC current function by pressing the ACI key.
3. Set the Model 2701 for the 1A range.
4. Source 1A and 3A, 1kHz full-scale AC currents as summarized in [Table 1-5](#), and verify that the readings are within stated limits.

Table 1-5
ACI limits

ACV range	Applied AC voltage	Reading limits @ 1kHz (1 year, 18°C to 28°C)
1A	1.000000A	0.99860 to 1.00140A
3A	3.00000A*	2.9817 to 3.0183A

* If the Fluke 5725A amplifier is not available, apply 2.2A from the calibrator. Reading limits for 2.2A are 2.1949 to 2.2051A.

Verifying resistance

Check resistance by connecting accurate resistance values to the Model 2701 and verifying that its resistance readings are within the specified limits.

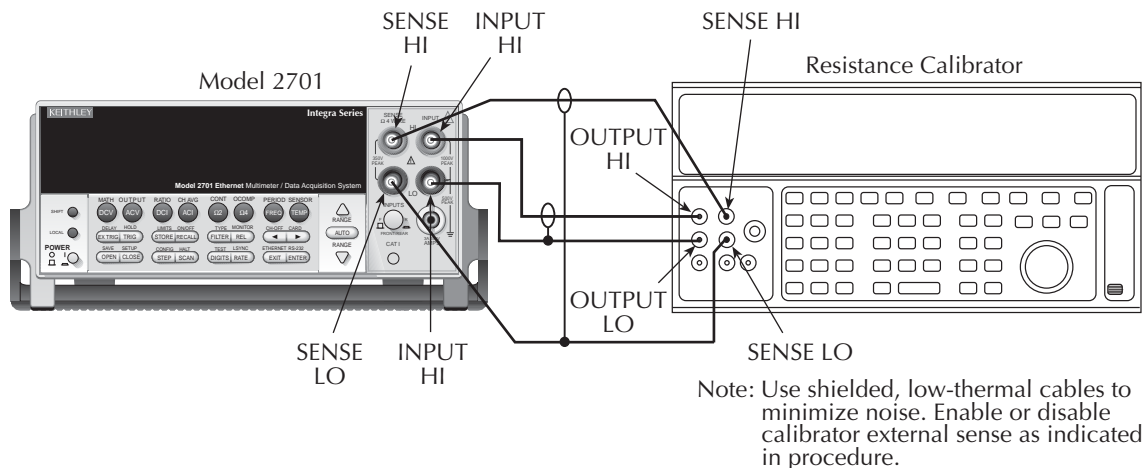
CAUTION Do not apply more than 1000V peak between front terminals INPUT HI and LO or more than 350V peak between SENSE HI and LO, or instrument damage could occur.

Follow these steps to verify resistance accuracy:

1. Using shielded, Teflon-insulated or equivalent cables in a 4-wire configuration, connect the Model 2701 INPUT and SENSE jacks to the calibrator as shown in Figure 1-5. Be sure the INPUTS switch is in the FRONT position.

Figure 1-5

Connections for Model 2701 resistance verification (100Ω to 10MΩ ranges)



2. Set the calibrator for 4-wire resistance with external sense on.
3. Select the Model 2701 4-wire resistance function by pressing the Ω4 key, then choose the SLOW integration rate with the RATE key.
4. Set the Model 2701 for the 100Ω range and make sure the FILTER is on. Enable OCOMP (offset-compensated ohms) for 100Ω range verification. (Press SHIFT then OCOMP.)
5. Recalculate reading limits based on actual calibrator resistance values.

6. Source the nominal full-scale resistance values for the 100Ω-10MΩ ranges summarized in Table 1-6 and verify that the readings are within calculated limits.
7. Connect the Model 2701 INPUT and SENSE jacks to the calibrator as shown in Figure 1-6.
8. Disable external sense on the calibrator.
9. Set the Model 2701 for the 100MΩ range.
10. Source a nominal 100MΩ resistance value and verify that the reading is within calculated limits for the 100MΩ range.

Figure 1-6
Connections for Model 2701 resistance verification (100MΩ range)

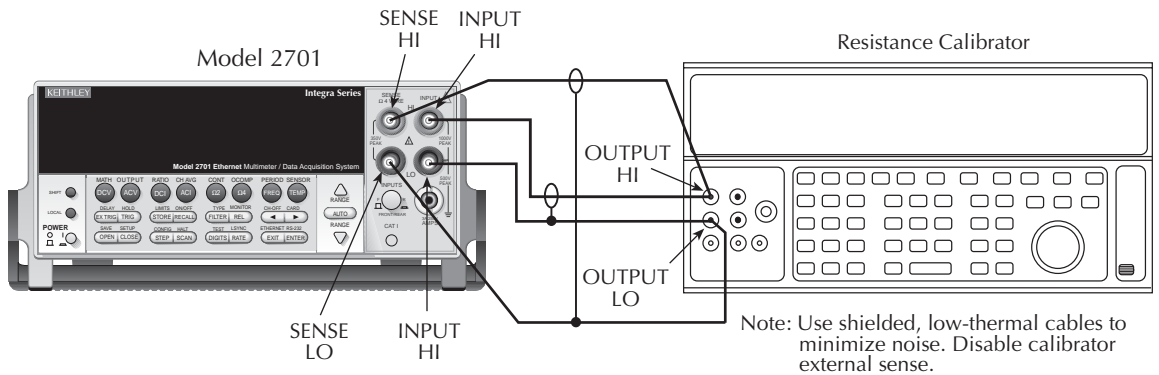


Table 1-6
Limits for resistance verification

Ω Range	Nominal resistance	Nominal reading limits (1 year, 18°C to 28°C)	Recalculated limits**
100Ω*	100Ω	99.9880 to 100.0120Ω	_____ to _____ Ω
1kΩ	1kΩ	0.999894 to 1.000106kΩ	_____ to _____ kΩ
10kΩ	10kΩ	9.99894 to 10.00106kΩ	_____ to _____ kΩ
100kΩ	100kΩ	99.9890 to 100.0110kΩ	_____ to _____ kΩ
1MΩ	1MΩ	0.999890 to 1.000110MΩ	_____ to _____ MΩ
10MΩ	10MΩ	9.99590 to 10.00410MΩ	_____ to _____ MΩ
100MΩ	100MΩ	99.7970 to 100.2030MΩ	_____ to _____ MΩ

* Enable O COMP (offset-compensated ohms) when testing 100Ω range.

** Calculate limits based on actual calibration resistance values and Model 2701 one-year resistance accuracy specifications. See *Verification limits*.

Verifying temperature

Thermocouple, thermistor, and RTD temperature readings are derived from DC volts and resistance measurements respectively. For that reason, it is not necessary to independently verify the accuracy of temperature measurements. As long as the DC volts and resistance functions meet or exceed specifications, temperature function accuracy is automatically verified. However, temperature verification procedures are provided below for those who wish to separately verify temperature accuracy.

Thermocouple temperature

1. Connect the DC voltage calibrator output terminals to the Model 2701 INPUT jacks using low-thermal shielded connections. (Use 2-wire connections similar to those shown in [Figure 1-1](#).) Be sure the INPUTS switch is in the FRONT position.
2. Configure the Model 2701 for °C units, type J temperature sensor, and 0°C simulated reference junction as follows:
 - a. Press SHIFT then SENSOR and note the unit displays the temperature units: UNITS: C. (If necessary, use the cursor and range keys to select °C units.)
 - b. Press ENTER. The unit displays the sensor type: SENS: TCOUPLE.
 - c. Make sure that TCOUPLE is displayed, then press ENTER. The unit then displays the thermocouple type: TYPE: K.
 - d. Select a type J temperature sensor, then press ENTER. The unit then displays the reference junction type: JUNC: SIM.
 - e. Make certain that the simulated reference junction type is selected, then press ENTER. The unit then displays the current simulated reference junction temperature: SIM: 023.
 - f. Using the cursor and range keys, set the reference junction temperature to 0°C, then press ENTER twice to complete the temperature configuration process.
3. Select the temperature function by pressing the TEMP key.
4. Source each of the voltages summarized in [Table 1-7](#) and verify that the temperature readings are within limits. Be sure to select the appropriate thermocouple type for each group of readings. (See step 2 above.)

Table 1-7

Thermocouple temperature verification reading limits

Thermocouple type	Applied DC voltage*	Reading limits (1 year, 18°C to 28°C)
J	-7.659mV	-190.2° to -189.8°C
	0mV	-0.2° to +0.2°C
	42.280mV	749.8° to 750.2°C
K	-5.730mV	-190.2° to -189.8°C
	0mV	-0.2° to +0.2°C
	54.138mV	1349.8° to 1350.2°C

* Voltages shown are based on ITS-90 standard using 0°C reference junction temperature. See text for procedure to set reference junction temperature.

RTD temperature

1. Connect the precision decade resistance box (listed in [Table 1-1](#)) to the Model 2701 INPUT and SENSE jacks using four-wire connections. (See [Figure 1-5](#) for similar connecting scheme.) Be sure the INPUTS switch is in the FRONT position.
2. Configure the Model 2701 temperature function for °C units and RTD temperature sensor ($\alpha=0.00385$) as follows:
 - a. Press SHIFT then SENSOR and note the unit displays the temperature units: UNITS: C.
 - b. Press ENTER and note the unit displays the sensor type: SENS: TCOUPLE.
 - c. Using the cursor and range keys, set the display as follows: SENS: 4W-RTD.
 - d. Press ENTER and note the unit displays: TYPE: PT100.
 - e. Using the cursor and range keys, set the unit for the following display: TYPE: PT385.
 - f. Press ENTER to complete the temperature configuration process.
3. Select the temperature function by pressing the TEMP key.
4. Set the decade resistance box to each of the values shown in [Table 1-8](#) and verify that the temperature readings are within the required limits.

Table 1-8

Four-wire RTD temperature verification reading limits

Applied resistance*	Reading limits (1 year, 18°C to 28°C)
22.80Ω	-190.06 to -189.94°C
100.00Ω	-0.06 to +0.06°C
313.59Ω	599.94 to 600.06°C

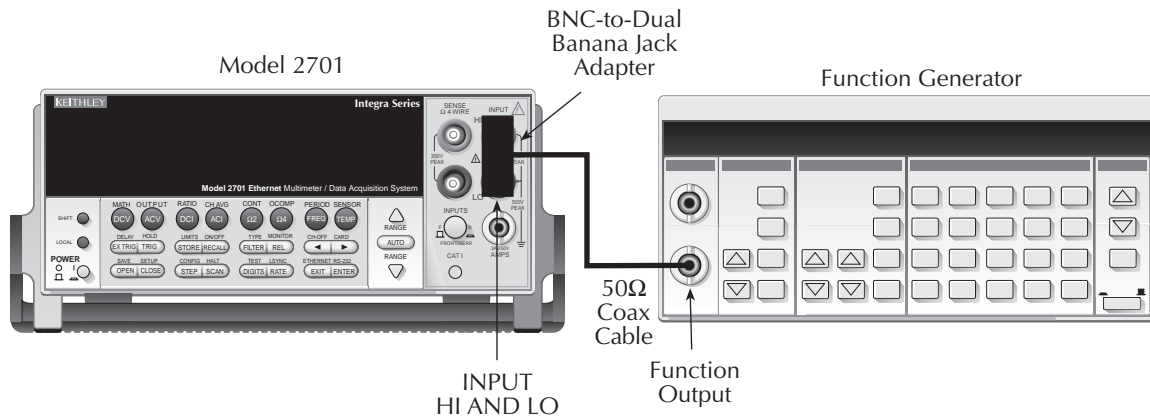
*Based on $\alpha = 0.00385$. See text.

Verifying frequency

Follow the steps below to verify the Model 2701 frequency function:

1. Connect the function generator to the Model 2701 INPUT jacks. (See [Figure 1-7](#).) Be sure the INPUTS switch is in the FRONT position.
2. Set the function generator to output a 1kHz, 1V RMS sine wave.
3. Select the Model 2701 frequency function by pressing the FREQ key.
4. Verify that the Model 2701 frequency reading is between 999.9Hz and 1.0001kHz.

Figure 1-7
Connections for Model 2701 frequency verification



Model 7700 verification

Use these procedures to verify measurement accuracy through the Model 7700 20-Channel Multiplexer Card.

NOTE Although the following tests are based on the Model 7700 20-Channel Multiplexer, the same general procedures can be used for other plug-in modules that have similar capabilities. Refer to the Model 2701 User's Manual for specific information on terminals and connections for other plug-in modules.

Verifying DC voltage

Check DC voltage accuracy by applying accurate voltages from the DC voltage calibrator to the Model 7700 input terminals and verifying that the displayed readings fall within specified limits.

CAUTION Do not exceed 300V DC between plug-in module INPUT H and L terminals or between any adjacent channels.

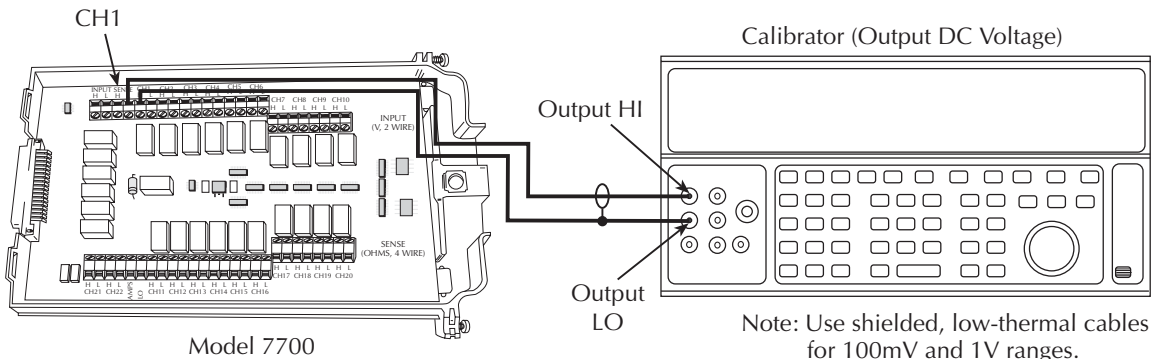
Follow these steps to verify DC voltage accuracy:

1. Connect the Model 7700 CH1 H and L INPUT terminals to the DC voltage calibrator as shown in [Figure 1-8](#).

NOTE Use shielded, low-thermal connections when testing the 100mV and 1V ranges to avoid errors caused by noise or thermal effects. Connect the shield to the calibrator's output LO terminal.

Figure 1-8

Connections for Model 7700 DC volts verification



2. Install the Model 7700 in Slot 1 of the Model 2701, then turn on the power and allow the unit to warm up for two hours before proceeding. Be sure the front panel INPUTS switch is set to the REAR position.
3. Select the DC volts function by pressing the DCV key and set the Model 2701 to the 100mV range. Close Channel 1 by pressing the CLOSE key and then keying in 101.
4. Set the calibrator output to 0.00000mV DC and allow the reading to settle.
5. Enable the Model 2701 REL mode. Leave REL enabled for the remainder of the DC volts verification tests.
6. Source positive and negative and full-scale voltages for each of the ranges listed in [Table 1-9](#). For each voltage setting, be sure that the reading is within stated limits.
7. Press the OPEN key to open Channel 1.

Table 1-9

Plug-in module DCV reading limits

Range	Applied DC voltage*	Reading limits (1 year, 18° to 28°C)
100mV	100.0000mV	99.9935 to 100.0065mV
1V	1.000000V	0.999963 to 1.000037V
10V	10.00000V	9.99965 to 10.00035V
100V	100.0000V	99.9946 to 100.0054V
1000V	300.000V	299.976 to 300.024V

*Source positive and negative values for each range.

Verifying AC voltage

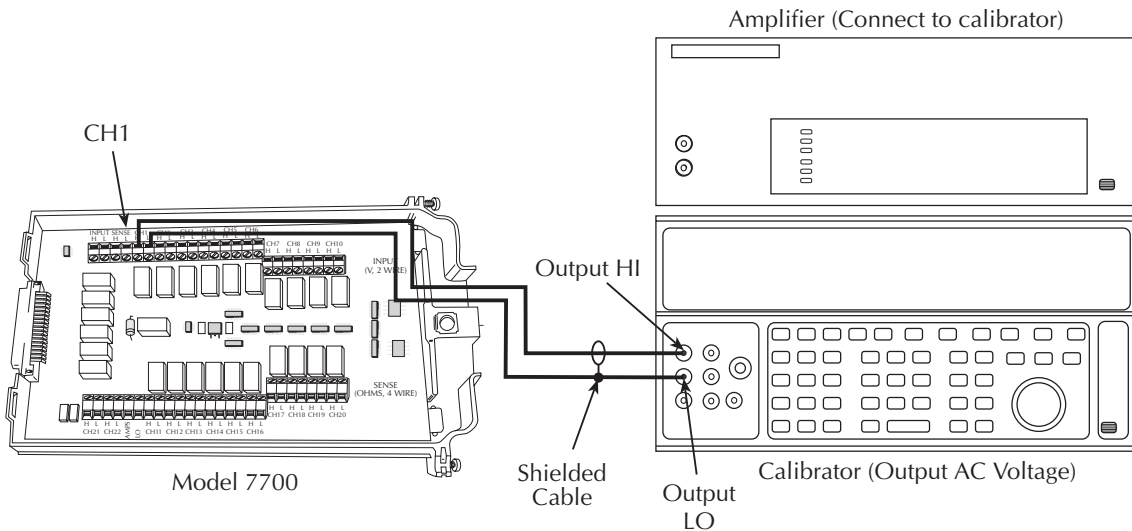
Check AC voltage accuracy by applying accurate AC voltages at specific frequencies from the AC voltage calibrator to the Model 7700 inputs and verifying that the displayed readings fall within specified ranges.

CAUTION Do not exceed 300V RMS between plug-in module INPUT H and L terminals or between adjacent channels, or 8×10^7 V•Hz input, because instrument damage may occur.

Follow these steps to verify AC voltage accuracy:

1. Connect the Model 7700 CH1 H and L INPUT terminals to the AC voltage calibrator as shown in Figure 1-9.

Figure 1-9
Connections for Model 7700 AC volts verification



2. Install the Model 7700 in Slot 1 of the Model 2701, then turn on the power and allow the unit to warm up for two hours before proceeding. Be sure the front panel INPUTS switch is set to the REAR position.
3. Select the AC volts function by pressing the ACV key. Close Channel 1 by pressing the CLOSE key and then keying in 101.
4. Set the Model 2701 for the 100mV range, make sure that REL is disabled.
5. Source 1kHz and 50kHz AC voltages for each of the ranges summarized in [Table 1-10](#) and make sure that the respective Model 2701 readings fall within stated limits.
6. Press the OPEN key to open Channel 1.

Table 1-10
Plug-in module ACV reading limits

ACV range	Applied AC voltage	1kHz reading limits (1 year, 18°C to 28°C)	50kHz reading limits (1 year, 18°C to 28°C)
100mV	100.0000mV	99.910 to 100.090mV	99.830 to 100.170mV
1V	1.000000V	0.99910 to 1.00090V	0.99830 to 1.00170V
10V	10.00000V	9.9910 to 10.0090V	9.98300 to 10.0170V
100V	100.0000V	99.910 to 100.090V	99.830 to 100.170V
750V	300.000V*	299.60 to 300.40V	299.27 to 300.73V

* If the 5725A amplifier is not available, change the 300V @ 50kHz step to 220V @ 50kHz. Reading limits for 220V @ 50kHz = 219.36 to 220.64V.

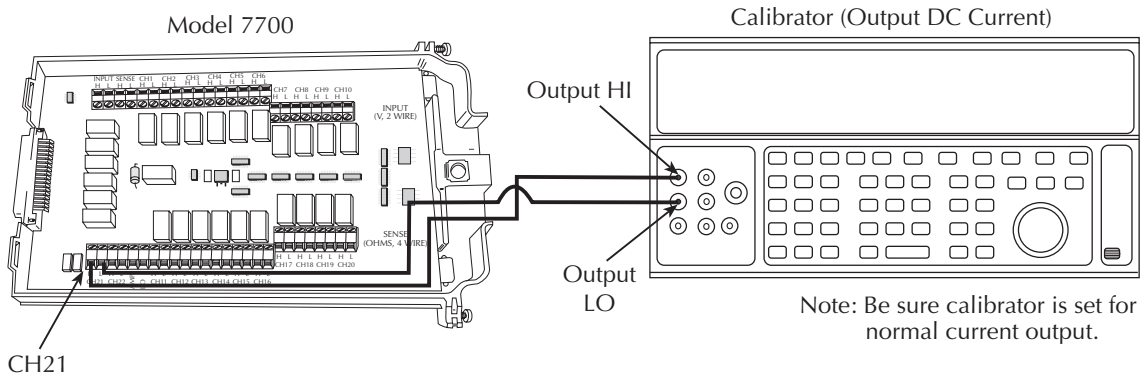
Verifying DC current

Check DC current accuracy by applying accurate DC currents from the DC current calibrator to the input terminals of the Model 7700 and verifying that the displayed readings fall within specified limits.

Follow these steps to verify DC current accuracy:

1. Connect the Model 7700 CH21 H and L terminals to the calibrator as shown in Figure 1-10.

Figure 1-10
Connections for Model 7700 DC current verification



2. Install the Model 7700 in Slot 1 of the Model 2701, then turn on the power and allow the unit to warm up for two hours before proceeding. Be sure the front panel INPUTS switch is set to the REAR position.
3. Select the DC current measurement function by pressing the DCI key.
4. Set the Model 2701 for the 20mA range. Close Channel 21 by pressing the CLOSE key and keying in 121.
5. Source positive and negative full-scale currents for each of the ranges listed in [Table 1-11](#), and verify that the readings for each range are within stated limits.
6. Press the OPEN key to open Channel 21.

Table 1-11
Plug-in module DCI limits

DCI range	Applied DC current*	Reading limits (1 year, 18°C to 28°C)
20mA	20.0000mA	19.98840 to 20.01160mA
100mA	100.0000mA	99.8700 to 100.1300mA
1A	1.000000A	0.999120 to 1.000880A
3A	3.000000A**	2.99628 to 3.00372A

* Source positive and negative currents with values shown.

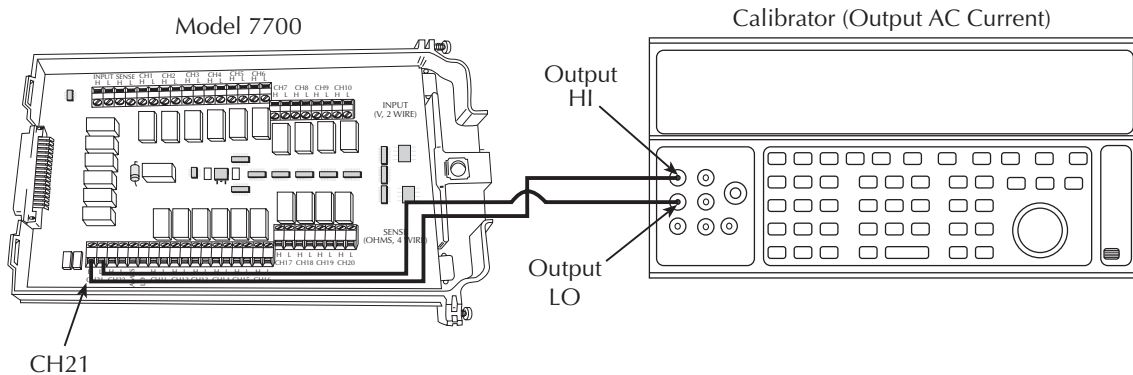
** If the Fluke 5725 amplifier is not available, apply 2.2A from calibrator. Reading limits for 2.2A input are: 2.197240 to 2.202760A.

Verifying AC current

Check AC current accuracy by applying accurate AC voltage current at specific frequencies from the AC current calibrator to the Model 7700 input terminals and verifying that the displayed readings fall within specified limits. Follow these steps to verify AC current:

1. Connect the Model 7700 CH21 H and L terminals to the calibrator as shown in Figure 1-11.

Figure 1-11
Connections for Model 7700 AC current verification



2. Install the Model 7700 in Slot 1 of the Model 2701, then turn on the power and allow the unit to warm up for two hours before proceeding. Be sure the front panel INPUTS switch is set to the REAR position.
3. Select the AC current function by pressing the ACI key.
4. Set the Model 2701 for the 1A range. Close Channel 21 by pressing the CLOSE key and keying in 121.
5. Source 1A and 3A, 1kHz full-scale AC currents as summarized in Table 1-12 and verify that the readings are within stated limits.
6. Press the OPEN key to open Channel 21.

Table 1-12
Plug-in module ACI limits

ACV range	Applied AC voltage	Reading limits @ 1kHz (1 year, 18°C to 28°C)
1A	1.000000A	0.99860 to 1.00140A
3A	3.00000A*	2.9817 to 3.0183A

* If the Fluke 5725A amplifier is not available, apply 2.2A from the calibrator. Reading limits for 2.2A are 2.1949 to 2.2051A.

Verifying resistance

Check resistance by connecting accurate resistance values to the Model 7700 and verifying that its resistance readings are within the specified limits.

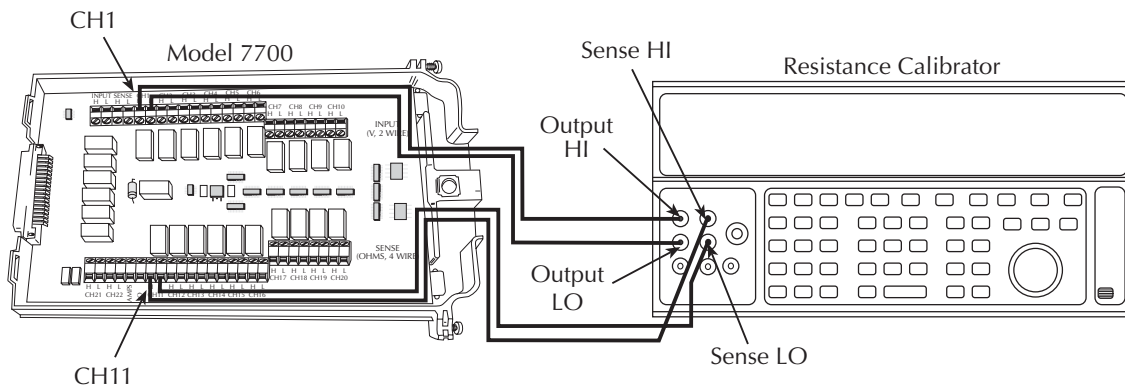
CAUTION Do not apply more than 300V between plug-in module INPUT or SENSE H and L terminal, or between any adjacent channels, or instrument damage could occur.

Follow these steps to verify resistance accuracy:

1. Using shielded Teflon or equivalent cables in a 4-wire configuration, connect the Model 7700 CH1 H and L INPUT terminals and CH11 H and L SENSE terminals to the calibrator as shown in Figure 1-12.

Figure 1-12

Connections for Model 7700 resistance verification (100Ω to 10MΩ ranges)



Note: Use shielded, low-thermal cables to minimize noise. Enable or disable calibrator external sense as indicated in procedure.

2. Install the Model 7700 in Slot 1 of the Model 2701, then turn on the power and allow the unit to warm up for two hours before proceeding. Be sure the front panel INPUTS switch is set to the REAR position.
3. Set the calibrator for 4-wire resistance with external sense on.
4. Select the Model 2701 4-wire resistance function by pressing the $\Omega 4$ key. Close Channel 1 by pressing the CLOSE key and keying in 101.
5. Set the Model 2701 for the 100 Ω range and make sure the FILTER is on. Enable OCOMP (offset-compensated ohms) for the 100 Ω range test. (Press SHIFT then OCOMP.)
6. Recalculate reading limits based on actual calibrator resistance values.
7. Source the nominal full-scale resistance values for the 100 Ω -10M Ω ranges summarized in Table 1-13 and verify that the readings are within calculated limits.

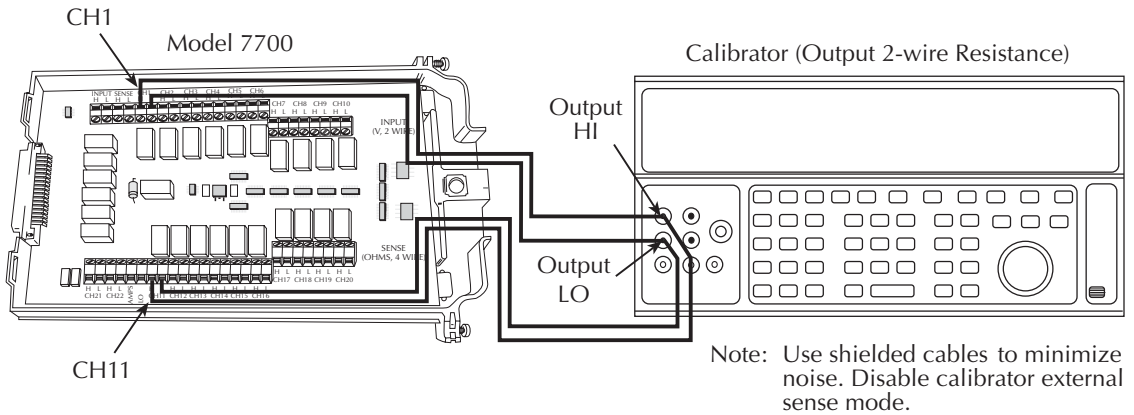
Table 1-13*Limits for plug-in module resistance verification*

Ω Range	Nominal resistance	Nominal reading limits (1 year, 18°C to 28°C)	Recalculated limits**
100 Ω *	100 Ω	99.9880 to 100.0120 Ω	_____ to _____ Ω
1k Ω	1k Ω	0.999894 to 1.000106k Ω	_____ to _____ k Ω
10k Ω	10k Ω	9.99894 to 10.00106k Ω	_____ to _____ k Ω
100k Ω	100k Ω	99.9890 to 100.0110k Ω	_____ to _____ k Ω
1M Ω	1M Ω	0.999890 to 1.000110M Ω	_____ to _____ M Ω
10M Ω	10M Ω	9.99370 to 10.00630M Ω	_____ to _____ M Ω
100M Ω	100M Ω	99.5770 to 100.4230M Ω	_____ to _____ M Ω

* Enable OCOMP for 100 Ω range.** Calculate limits based on actual calibration resistance values and Model 2701 one-year resistance accuracy specifications. See *Verification limits*.

8. Connect the Model 7700 CH1 and CH11 terminals to the calibrator as shown in Figure 1-13.
9. Disable external sense on the calibrator.
10. Set the Model 2701 for the 100M Ω range.
11. Source a nominal 100M Ω resistance value and verify that the reading is within calculated limits for the 100M Ω range.
12. Press the OPEN key to open Channel 1.

Figure 1-13
Connections for Model 7700 resistance verification (100M Ω range)



Verifying temperature

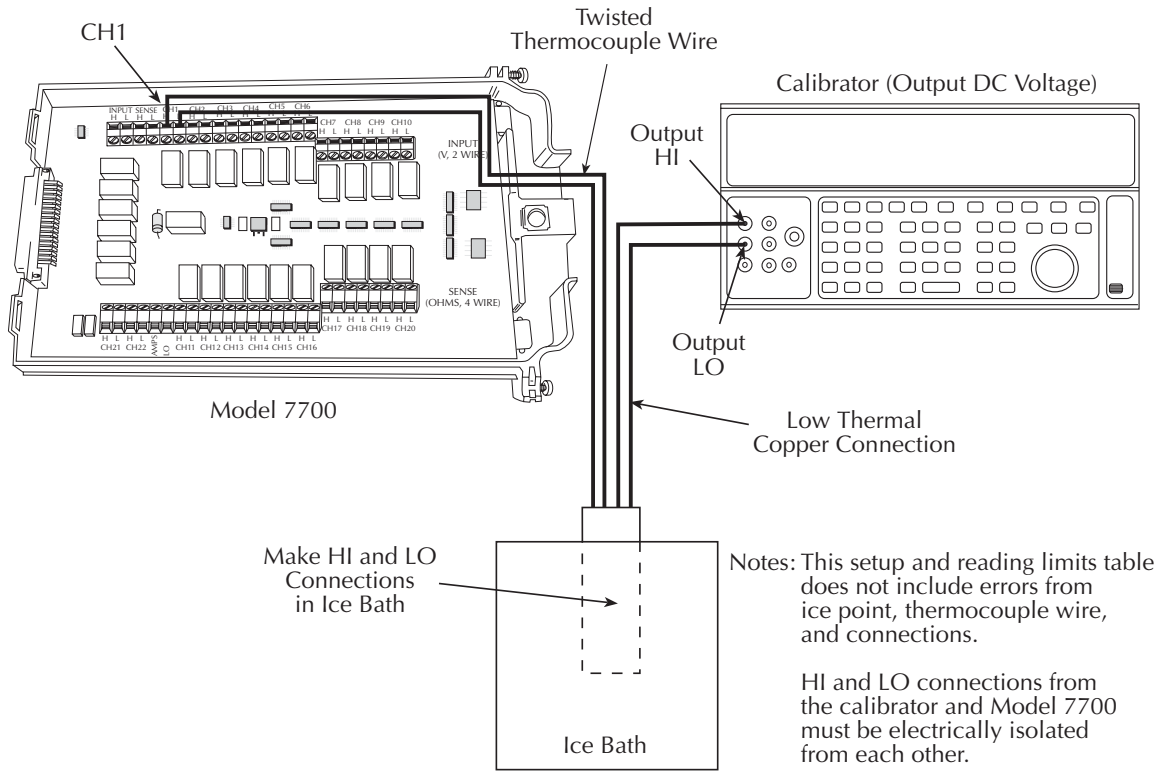
Thermocouple, thermistor, and RTD temperature readings are derived from DC volts and resistance measurements respectively. For that reason, it is not necessary to independently verify the accuracy of temperature measurements. As long as the DC volts and resistance functions meet or exceed specifications, temperature function accuracy is automatically verified. However, temperature verification procedures are provided below for those who wish to separately verify temperature accuracy.

Thermocouple temperature

1. Connect the DC voltage calibrator output terminals and ice point reference to the Model 7700 CH1 H and L INPUT terminals using low-thermal shielded connections, as shown in [Figure 1-14](#).
2. Install the Model 7700 in Slot 1 of the Model 2701, then turn on the power and allow the unit to warm up for two hours before proceeding. Be sure the front panel INPUTS switch is set to the REAR position.
3. Select the temperature function by pressing the TEMP key. Close Channel 1 by pressing the CLOSE key and keying in 101.
4. Configure the Model 2701 for °C units, type K temperature sensor, and internal reference junction as follows:
 - a. Press SHIFT then SENSOR and note the unit displays the temperature units: UNITS: C. (If necessary, use the cursor and range keys to select °C units.)
 - b. Press ENTER. The unit then displays the sensor type: SENS: TCOUPLE.
 - c. Make sure that TCOUPLE is displayed, then press ENTER. The unit displays the thermocouple type: TYPE: J.
 - d. Select a type K temperature sensor, then press ENTER. The unit then displays the reference junction type: JUNC: SIM.
 - e. Select INT reference junction, then press ENTER.

Figure 1-14

Connections for Model 7700 thermocouple temperature verification



5. Source each of the voltages summarized in [Table 1-14](#) and verify that the temperature readings are within limits. Be sure to select the appropriate thermocouple type for each group of readings. (See step 3 above.) Open Channel 1 after the test is complete.

Table 1-14

Model 7700 thermocouple temperature verification reading limits

Thermocouple type	Applied DC voltage*	Reading limits (1 year, 18°C to 28°C)
J	-7.659mV	-191.0° to -189.0°C
	0mV	-1.0° to +1.0°C
	42.280mV	749.0° to 751.0°C
K	-5.730mV	-191.0° to -189.0°C
	0mV	-1.0° to +1.0°C
	54.138mV	1349.0° to 1351.0°C

*Voltages shown are based on ITS-90 standard.

RTD temperature

1. Connect the precision decade resistance box (listed in [Table 1-1](#)) to the Model 7700 CH1 and CH11 H and L terminals using four-wire connections. (See [Figure 1-12](#) for similar connecting scheme.)
2. Install the Model 7700 in Slot 1 of the Model 2701, then turn on the power and allow the unit to warm up for two hours before proceeding. Be sure the front panel INPUTS switch is set to the REAR position.
3. Select the temperature function by pressing the TEMP key. Close Channel 1 by pressing the CLOSE key and keying in 101.
4. Configure the Model 2701 temperature function for °C units and RTD temperature sensor ($\alpha=0.00385$) as follows:
 - a. Press SHIFT then SENSOR and note the unit displays the temperature units: UNITS: C.
 - b. Press ENTER and note the unit displays the sensor type: SENS: TCOUPLE.
 - c. Using the cursor and range keys, set the display as follows: SENS: 4W-RTD.
 - d. Press ENTER and note the unit displays: TYPE: PT100.
 - e. Using the cursor and range keys, set the unit for the following display: TYPE: PT385.
 - f. Press ENTER to complete the temperature configuration process.
5. Set the decade resistance box to each of the values shown in [Table 1-15](#) and verify that the temperature readings are within the required limits. Open Channel 1 when finished.

Table 1-15

Plug-in module four-wire RTD temperature verification reading limits

Applied resistance*	Reading limits (1 year, 18°C to 28°C)
22.80Ω	-190.06° to -189.94°C
100.00Ω	-0.06° to +0.06°C
313.59Ω	599.94° to 600.06°C

*Based on $\alpha = 0.00385$. See text.

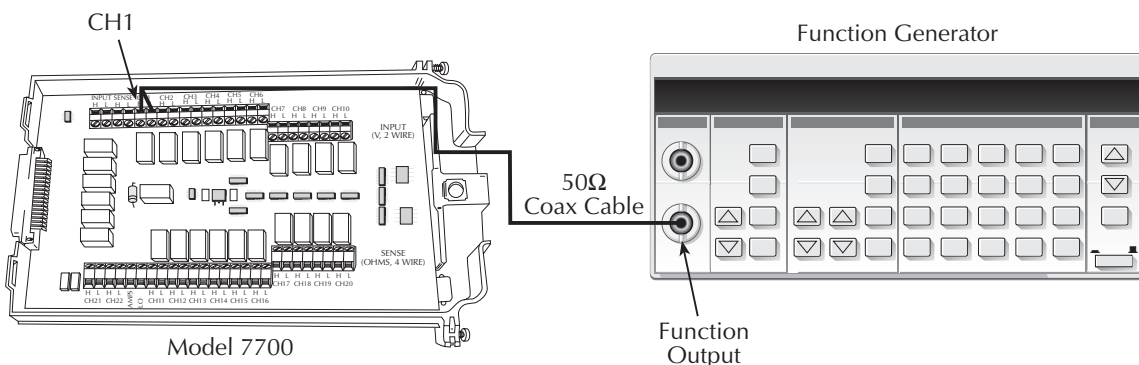
Verifying frequency

Follow the steps below to verify the Model 2701 frequency function:

1. Connect the function generator to the Model 7700 CH1 H and L INPUT terminals. (See [Figure 1-15](#).)
2. Install the Model 7700 in Slot 1 of the Model 2701, then turn on the power and allow the unit to warm up for one hour before proceeding. Be sure the front panel INPUTS switch is set to the REAR position.
3. Set the function generator to output a 1kHz, 1V RMS sine wave.
4. Select the Model 2701 frequency function by pressing the FREQ key. Close Channel 1 by pressing the CLOSE key and keying in 101.
5. Verify that the Model 2701 frequency reading is between 0.9999kHz and 1.0001kHz.

Figure 1-15

Connections for Model 7700 frequency verification



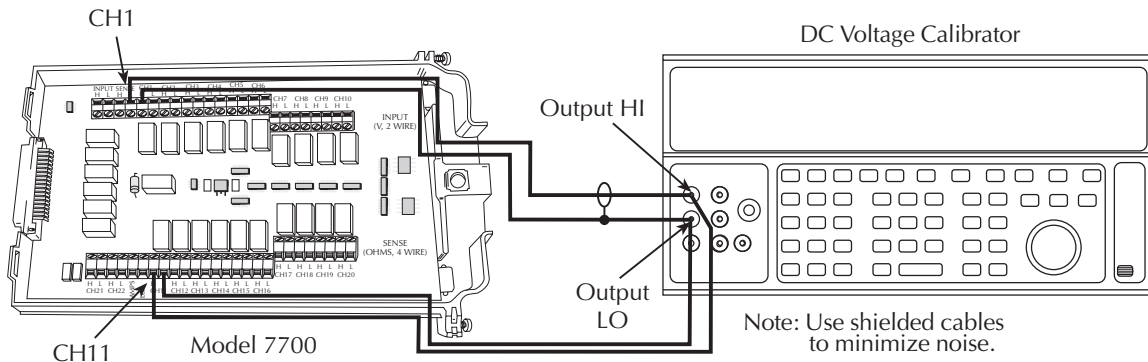
Verifying ratio and average

Follow the procedure below to verify ratio and average.

CAUTION Exceeding 300V between plug-in module INPUT or SENSE H and L terminals may cause instrument damage.

1. Connect the Model 7700 CH1 and CH11 H and L terminals to the DC calibrator, as shown in Figure 1-16.
2. Install the Model 7700 in Slot 1 of the Model 2701, then turn on the power and allow the unit to warm up for two hours before proceeding. Be sure the front panel INPUTS switch is set to the REAR position.
3. Select the Model 2701 DCV function and the 1V range. Close Channel 1 by pressing the CLOSE key and keying in 101.
4. Select the Model 2701 RATIO function (press SHIFT then RATIO).
5. Set the calibrator output to 1.00000V DC and allow the reading to settle.
6. Verify that the ratio reading is between 0.9999926 and 1.000074.
7. Press OPEN to open Channel 1.

Figure 1-16
Connections for Model 7700 ratio and average verification



2 Calibration

Introduction

Use the procedures in this section to calibrate the Model 2701. Calibration procedures include:

- Comprehensive calibration: Usually the only calibration required in the field.
- Manufacturing calibration: Usually only performed at the factory (unless the unit has been repaired).
- Model 7700 calibration: Covers calibration procedures specific to Model 7700 cards.

WARNING The information in this section is intended only for qualified service personnel. Do not attempt these procedures unless you are qualified to do so.

All the procedures require accurate calibration equipment to supply precise DC and AC voltages, DC and AC currents, and resistance values. Comprehensive calibration can be performed any time by an operator either from the front panel or by using the SCPI commands sent either over the Ethernet port or the RS-232 port. DC-only and AC-only calibration may be performed individually, if desired.

Environmental conditions

Conduct the calibration procedures in a location that has:

- An ambient temperature of 18° to 28°C (65° to 82°F).
- A relative humidity of less than 80% unless otherwise noted.

Warm-up period

Allow the Model 2701 Ethernet Multimeter/Data Acquisition system to warm up for at least two hours before performing calibration.

If the instrument has been subjected to temperature extremes (those outside the ranges stated above), allow extra time for the instrument's internal temperature to stabilize. Typically, allow one extra hour to stabilize a unit that is 10°C (18°F) outside the specified temperature range.

Also, allow the test equipment to warm up for the minimum time specified by the manufacturer.

Line power

The Model 2701 requires a line voltage of 100V/120V/220V/240V $\pm 10\%$ and a line frequency of 45Hz to 66Hz or 360Hz to 440Hz. Note that the line frequency is automatically sensed at power-up, but the line voltage must be manually set to either 100V/120V or 220V/240V as described in [Section 3](#).

Calibration considerations

When performing the calibration procedures:

- Make sure that the equipment is properly warmed up and connected to the appropriate input jacks. Also make sure that the correct front or rear terminals are selected with the INPUTS switch.
- Make sure the calibrator is in OPERATE before you complete each calibration step.
- Always let the source signal settle before calibrating each point.
- If an error occurs during calibration, the Model 2701 will generate an appropriate error message. See Appendix B for more information.

WARNING Observe the following safety precautions when performing these tests:

- Some of the procedures in this section may expose you to dangerous voltages. Use standard safety precautions when such dangerous voltages are encountered to avoid personal injury or death caused by electric shock.
- For the front panel terminals only, the maximum common-mode voltage (voltage between INPUT LO and chassis ground) is 500V peak. Exceeding this value may cause a breakdown in insulation, creating a shock hazard.
- For the plug-in modules, the maximum common-mode voltage (voltage between any plug-in module terminal and chassis ground) is 300V DC or 300V RMS. Exceeding this value may cause a breakdown in insulation, creating a shock hazard.
- When using the front panel terminals simultaneously with plug-in modules, all cable insulation voltage ratings must equal or exceed the maximum voltage applied to either the front panel terminals or the plug-in module terminals.

Calibration code

Before performing comprehensive calibration, you must first unlock calibration by entering the appropriate calibration code.

Front panel calibration code

For front panel calibration, follow these steps:

1. Access the calibration menu by pressing SHIFT then TEST, then use the up or down range key to display TEST: CALIB. Press ENTER and note that the instrument displays the following:
CAL: DATES
2. Use the up or down range key to scroll through the available calibration items until the unit displays RUN, then press ENTER.
3. The Model 2701 then prompts you to enter a code:
CODE? 000000
(The factory default code is 002701.) Use the left and right arrow keys to move among the digits; use the up range key to increment numbers and press the down range key to specify alphabetic letters. Confirm the code by pressing ENTER.
4. The Model 2701 allows you to define a new calibration code. Use the up and down range keys to toggle between yes and no. Choose N if you do not want to change the code. Choose Y if you want to change the code. The unit then prompts you to enter a new code. Enter the code and press ENTER.

Remote calibration code

If you are performing calibration over the Ethernet port or the RS-232 port, send this command to unlock calibration:

```
:CAL:PROT:CODE '<8-character string>'
```

The default code command is:

```
:CAL:PROT:CODE 'KI002701'
```

To change the code via remote, simply send the :CAL:PROT:CODE command twice; first with the present code and then with the new code.

Comprehensive calibration

The comprehensive calibration procedure calibrates the DCV, DCI, ACV, ACI, and ohms functions. You can also choose to calibrate only the DCV/DCI and resistance or ACV/ACI functions.

These procedures are usually the only calibration required in the field. Manufacturing calibration is normally done only at the factory, but it should also be done in the field if the unit has been repaired. See “Manufacturing calibration” at the end of this section for more information.

Calibration cycle

Perform comprehensive calibration at least once a year or every 90 days to ensure the unit meets the corresponding specifications.

Recommended equipment

Table 2-1 lists the recommended equipment you need for comprehensive, DC-only, and AC-only calibration procedures. You can use alternate equipment, such as a DC transfer standard and characterized resistors, as long as that equipment has specifications at least as good as those listed in Table 2-1.

Table 2-1

Recommended equipment for comprehensive calibration

<i>Fluke 5700A Calibrator:</i>				
DC voltage	AC voltage (1kHz, 50kHz)*	DC current	AC current (1kHz)	Resistance
10V ± 5 ppm 100V ± 7 ppm	10mV ± 710 ppm 100mV ± 200 ppm 1V ± 82 ppm 10V ± 82 ppm 100V ± 90 ppm 700V ± 85 ppm	10mA ± 60 ppm 100mA ± 70 ppm 1A ± 110 ppm	100mA ± 190 ppm 1A ± 690 ppm 2A ± 670 ppm	1k Ω ± 12 ppm 10k Ω ± 11 ppm 100k Ω ± 13 ppm 1M Ω ± 18 ppm
Miscellaneous equipment: Keithley 8610 low-thermal shorting plug Double banana plug to double banana plug shielded cable BNC to double banana plug shielded cable				

*1kHz specifications. 10mV and 700V points require 1kHz only. All calibrator specifications are 90-day, 23°C ± 5 °C specifications and indicate total absolute uncertainty at specified output.

Aborting calibration

You can abort the front panel calibration process at any time by pressing EXIT. The instrument will then ask you to confirm your decision to abort with the following message:

ABORT CAL?

Press EXIT to abort calibration at this point or press any other key to return to the calibration process.

NOTE The Model 2701 will not respond to any remote programming commands while the ABORT CAL? message is displayed.

Front panel calibration

Perform the steps in the following paragraphs in the order shown for comprehensive, DC only, and AC only calibration procedures.

The procedures for front panel calibration include:

- Preparing the Model 2701 for calibration
- Front panel short and open calibration
- DC voltage calibration
- Resistance calibration
- DC current calibration
- AC voltage calibration
- AC current calibration
- Setting calibration dates and saving calibration

Preparing the Model 2701 for calibration

1. Turn on the Model 2701 and allow it to warm up for at least two hours before performing a calibration procedure.
2. Start the calibration process as follows:
 - a. Access the calibration menu by pressing SHIFT then TEST, then display TEST: CALIB using the up or down range key. Press ENTER.
 - b. Use the up or down range key to scroll through the available calibration menu items until the unit displays RUN, then press ENTER.
 - c. At the prompt, enter the calibration code. (The default code is 002701.) Use the left and right arrow keys to move among the digits; use the up range key to increment numbers and press the down range key to specify alphabetic letters. Confirm the code by pressing ENTER.
 - d. Choose N at the prompt to proceed without changing the code, then press ENTER.
3. Choose which of the calibration tests summarized in [Table 2-2](#) you want to run at the CAL: RUN prompt. Use the up and down range keys to scroll through the options; select your choice by pressing ENTER.

Table 2-2
Comprehensive calibration procedures

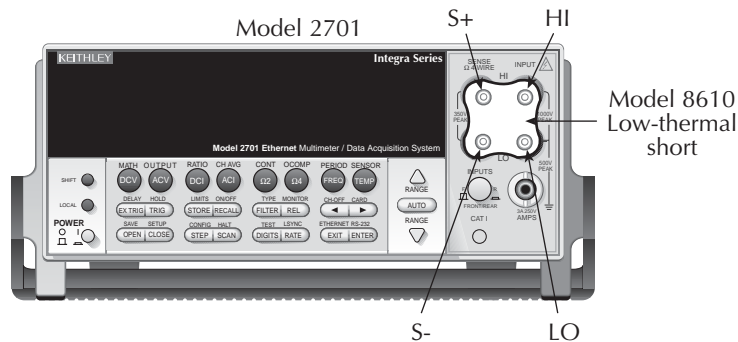
Procedure	Menu choice	Procedures
Full calibration	ALL	All comprehensive calibration steps (DC and AC)
DCV, DCI, and ohms	DC	DC voltage, DC current, and resistance calibration
ACV and ACI	AC	AC voltage and AC current calibration

Front panel short and open calibration

At the Model 2701 prompt for a front panel short, perform the following:

1. Connect the Model 8610 low-thermal short to the instrument front panel INPUT and SENSE terminals as shown in [Figure 2-1](#). Make sure the INPUTS button is not pressed in so that the front inputs are selected. Wait at least three minutes before proceeding to allow for thermal equilibrium.

Figure 2-1
Low thermal short connections



NOTE Be sure to connect the low-thermal short properly to the HI, LO, and SENSE terminals. Keep drafts away from low-thermal connections to avoid thermal drift, which could affect calibration accuracy.

2. Press ENTER to start short-circuit calibration. While the unit is calibrating, it will display:
CALIBRATING
3. When the unit is finished with short-circuit calibration, it will display the following prompt:
OPEN CIRCUIT
4. Remove the calibration short and press ENTER. During this phase, the CALIBRATING message will be displayed.

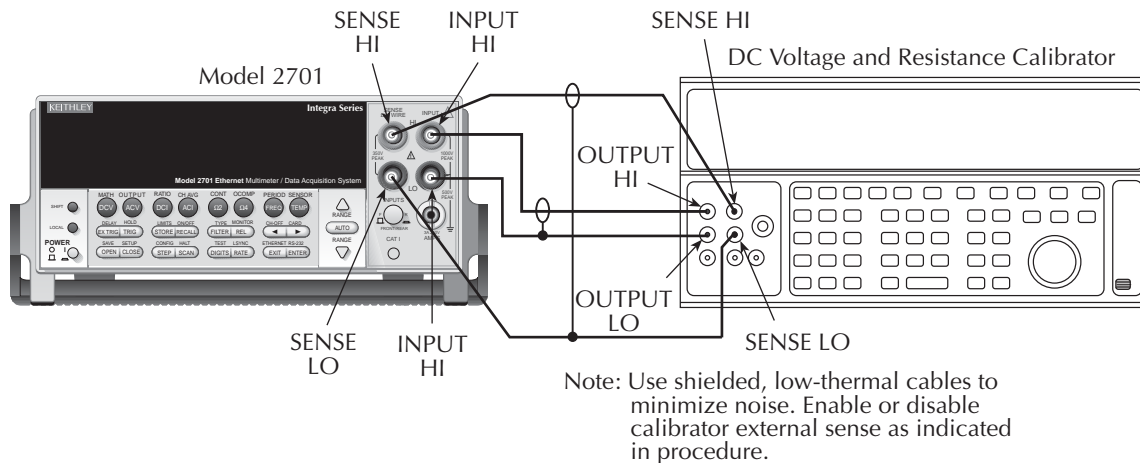
NOTE Be sure to minimize movement near front Input terminals. Excessive movements can cause capacitive coupling errors, which could affect calibration accuracy.

DC voltage calibration

After the front panel short and open procedure, the unit will prompt you for the first DC voltage: +10V. Do the following:

1. Connect the calibrator to the Model 2701 as shown in Figure 2-2. Wait three minutes to allow for thermal equilibrium before proceeding.

Figure 2-2
Connections for DC volts and ohms calibration



NOTE Although 4-wire connections are shown, the sense leads are connected and disconnected at various points in this procedure by turning calibrator external sense on or off as appropriate. If your calibrator does not have provisions for turning external sense on and off, disconnect the sense leads when external sensing is to be turned off and connect the sense leads when external sensing is to be turned on.

2. Set the calibrator to output DC volts and turn external sense off.
3. Perform the steps listed in Table 2-3 to complete DC volts calibration. For each calibration step:
 - Set the calibrator to the indicated value and make sure it is in OPERATE.
 - Press the ENTER key to calibrate that step.
 - Wait until the Model 2701 finishes each step. (The unit will display the CALIBRATING message while calibrating.)

NOTE If your calibrator cannot output the values recommended in Table 2-3, use the left and right arrow keys and the up and down range keys to set the Model 2701 display value to match the calibrator output voltage.

Table 2-3
DC volts calibration summary

Calibration step	Calibrator voltage	Allowable range
+10V	+10.00000V	+9V to +11V
-10V	-10.00000V	-9V to -11V
100V	+100.0000V	+90V to +110V

Resistance calibration

Completing the 100V DC calibration step ends the DC voltage calibration procedure. The Model 2701 will then prompt you to connect 1k Ω . Follow these steps for resistance calibration:

1. Set the calibrator output for resistance and turn on external sense.

NOTE Use external sense (4-wire Ω) when calibrating all resistance ranges. Be sure that the calibrator external sense mode is turned on.

2. Perform the calibration steps summarized in Table 2-4. For each step:
 - Set the calibrator to the indicated value and place the unit in operate. (If the calibrator cannot output the exact resistance value, use the Model 2701 left and right arrow keys and the range keys to adjust the Model 2701 display to agree with the actual calibrator resistance.)
 - Press the ENTER key to calibrate each point.
 - Wait for the Model 2701 to complete each step before continuing.

Table 2-4
Ohms calibration summary

Calibration step	Calibrator resistance*	Allowable range
1k Ω	1k Ω	0.9k Ω to 1.1k Ω
10k Ω	10k Ω	9k Ω to 11k Ω
100k Ω	100k Ω	90k Ω to 110k Ω
1M Ω	1M Ω	0.9M Ω to 1.1M Ω

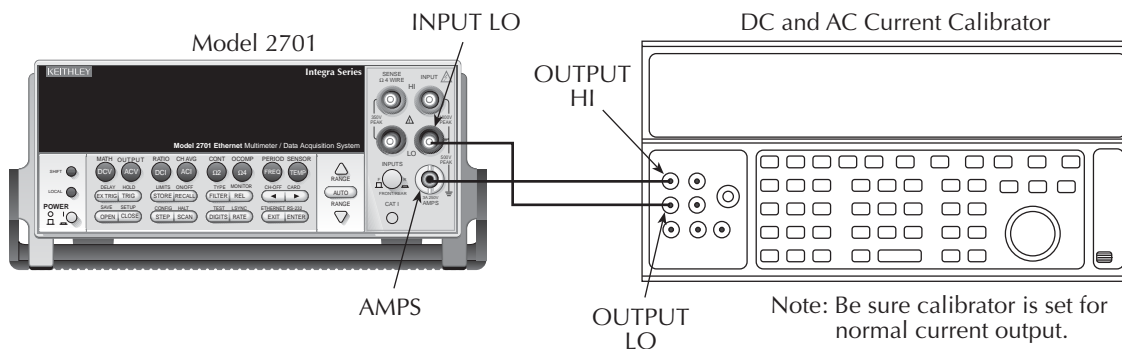
*Nominal resistance. Adjust Model 2701 calibration parameter to agree with actual value.

DC current calibration

After the 1M Ω resistance point has been calibrated, the unit will prompt you to apply 10mA. Follow these steps for DC current calibration:

1. Connect the calibrator to the AMPS and INPUT LO terminals of the Model 2701 as shown in Figure 2-3.

Figure 2-3
Connections for DC and AC amps calibration



2. Calibrate each current step summarized in Table 2-5. For each step:
 - Set the calibrator to the indicated DC current and make sure the unit is in OPERATE.
 - Make sure the Model 2701 display indicates the correct calibration current.
 - Press ENTER to complete each step.
 - Allow the Model 2701 to finish each step.

NOTE *If you are performing DC-only calibration, proceed to “Setting calibration dates and saving calibration.”*

Table 2-5
DC current calibration summary

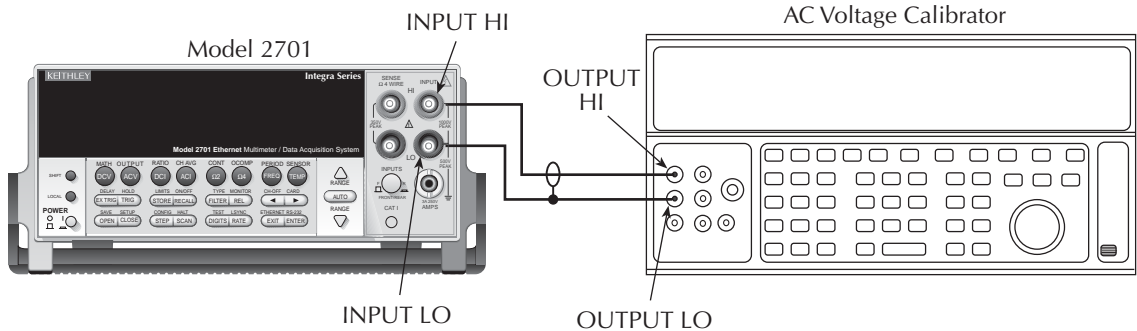
Calibration step	Calibrator current	Allowable range
10mA	10.00000mA	9mA to 11mA
100mA	100.00000mA	90mA to 110mA
1A	1.000000A	0.9A to 1.1A

AC voltage calibration

Follow these steps for AC voltage calibration:

1. Connect the calibrator to the Model 2701 INPUT HI and LO terminals as shown in Figure 2-4.

Figure 2-4
Connections for AC volts calibration



2. Perform the calibration steps summarized in Table 2-6. For each step:
 - Set the calibrator to the indicated value and make sure the calibrator is in OPERATE.
 - Press ENTER to complete each step.
 - Wait until the Model 2701 completes each step.

Table 2-6
AC voltage calibration summary

Calibration step	Calibrator voltage, frequency
10mV AC at 1kHz	10.00000mV, 1kHz
100mV AC at 1kHz	100.0000mV, 1kHz
100mV AC at 50kHz	100.0000mV, 50kHz
1V AC at 1kHz	1.000000V, 1kHz
1V AC at 50kHz	1.000000V, 50kHz
10V AC at 1kHz	10.00000V, 1kHz
10V AC at 50kHz	10.00000V, 50kHz
100V AC at 1kHz	100.0000V, 1kHz
100V AC at 50kHz	100.0000V, 50kHz
700V AC at 1kHz	700.000V, 1kHz

AC current calibration

After the 700VAC at 1kHz point has been calibrated, the unit will prompt you for 100mA at 1kHz. Follow these steps for AC current calibration:

1. Connect the calibrator to the AMPS and INPUT LO terminals of the Model 2701 as shown in [Figure 2-3](#).
2. Perform the calibration steps summarized in [Table 2-7](#). For each step:
 - Set the calibrator to the indicated current and frequency, make sure the unit is in OPERATE.
 - Press ENTER to complete each calibration step.
 - Allow the unit to complete each step before continuing.

Table 2-7

AC current calibration summary

Calibration step	Calibrator current, frequency
100mA at 1kHz	100.0000mA, 1kHz
1A at 1kHz	1.000000A, 1kHz
2A at 1kHz	2.000000A, 1kHz

Setting calibration dates and saving calibration

At the end of the calibration procedure, the instrument will display the CALIBRATION COMPLETE message. Press ENTER to continue and the Model 2701 will prompt you to enter the calibration date and the calibration due date. Set these dates as follows:

1. At the CAL DATE: prompt, use the left and right arrow keys and the range keys to set the calibration date, then press ENTER.
2. The unit will then prompt you to enter the next calibration due date with this prompt: CAL NDUE:. Use the left and right arrow keys and the range keys to set the calibration due date, then press ENTER.
3. The unit will prompt you to save new calibration constants with this message: SAVE CAL? YES. To save the new constants, press ENTER. If you do not want to save the new constants, press the down range key to toggle to NO, then press ENTER.

NOTE *Calibration constants calculated during the present calibration procedure will not be saved unless you choose the YES option. Previous calibration constants will be retained if you select NO.*

Remote calibration

Follow the steps in this section to perform comprehensive procedures via remote. See Appendix B for a detailed list and description of remote calibration commands.

When sending calibration commands, be sure that the Model 2701 completes each step before sending the next command. You can do so either by observing the front panel CALIBRATING message or by detecting the completion of each step via remote. (See “Detecting calibration step completion” in Appendix B.)

The procedures for calibrating the Model 2701 via remote include:

- Preparing the Model 2701 for calibration
- Short and open calibration
- DC voltage calibration
- Resistance calibration
- DC current calibration
- AC voltage calibration
- AC current calibration
- Programming calibration dates
- Saving calibration constants
- Locking out calibration

NOTE *As with front panel calibration, you can choose to perform comprehensive, DC-only, or AC-only calibration. Be sure to include a space character between each command and parameter.*

Preparing the Model 2701 for calibration

1. Connect the Model 2701 to the Ethernet or connect the unit to a computer through the RS-232 port using a straight-through 9-pin to 9-pin cable (use a 9-25-pin adapter if necessary).
2. Turn on the Model 2701 and allow it to warm up for at least two hours before performing calibration.
3. Unlock the calibration function by sending this command:
:CAL:PROT:CODE 'KI002701'
(The above command shows the default code, KI002701. Substitute the correct code if changed.)
4. Send the following command to initiate calibration:
:CAL:PROT:INIT

Short and open calibration

1. Connect the Model 8610 low-thermal short to the instrument INPUT and SENSE terminals as shown in [Figure 2-1](#). Make sure the INPUTS button is not pressed in so that the front inputs are active. Wait at least three minutes before proceeding to allow for thermal equilibrium.

NOTE *Be sure to connect the low-thermal short properly to the HI, LO, and SENSE terminals. Keep drafts away from low-thermal connections to avoid thermal drift, which could affect calibration accuracy.*

2. Send the following command:
:CAL:PROT:DC:STEP1
3. After the Model 2701 completes this step, remove the low-thermal short and then send this command:
:CAL:PROT:DC:STEP2

NOTE *Be sure to minimize movement near front Input terminals. Excessive movements can cause capacitive coupling errors, which could affect calibration accuracy.*

DC voltage calibration

After the front panel short and open steps, perform the following:

1. Connect the calibrator to the Model 2701 as shown in [Figure 2-2](#). Allow three minutes for thermal equilibrium.

NOTE *Although 4-wire connections are shown, the sense leads are connected and disconnected at various points in this procedure by turning calibrator external sense on or off as appropriate. If your calibrator does not have provisions for turning external sense on and off, disconnect the sense leads when external sensing is to be turned off and connect the sense leads when external sensing is to be turned on.*

2. Perform the calibration steps summarized in [Table 2-8](#). For each step:
 - Set the calibrator to the indicated voltage and make sure the unit is in operate. (Use the recommended voltage if possible.)
 - Send the indicated programming command. (Change the voltage parameter if you are using a different calibration voltage.)
 - Wait until the Model 2701 completes each step before continuing.

NOTE Ensure the calibrator has settled to the final value. You can do so by verifying that the “Settled” indicator is off or by using the *OPC? (operation complete) query.

Table 2-8

DC voltage calibration programming steps

Calibration step	Calibrator voltage	Calibration command*	Parameter range
+10V	+10.00000V	:CAL:PROT:DC:STEP3 10	9 to 11
-10V	-10.00000V	:CAL:PROT:DC:STEP4 -10	-9 to -11
100V	100.0000V	:CAL:PROT:DC:STEP5 100	90 to 110

*Use recommended value where possible. Change parameter accordingly if using a different calibrator voltage.

Resistance calibration

Follow these steps for resistance calibration:

1. Set the calibrator to the resistance mode and turn on external sensing.

NOTE Use external sense (4-wire Ω) when calibrating all resistance ranges. Be sure that the calibrator external sense mode is turned on.

2. Perform the calibration steps summarized in [Table 2-9](#). For each step:
 - Set the calibrator to the indicated resistance and make sure the unit is in operate. (Use the recommended resistance or the closest available value.)
 - Send the indicated programming command. (Change the command parameter if you are using a different calibration resistance than that shown.)
 - Wait until the Model 2701 completes each step before continuing.

Table 2-9

Resistance calibration programming steps

Calibration step	Calibrator resistance	Calibration command*	Parameter range
1k Ω	1k Ω	:CAL:PROT:DC:STEP6 1E3	900 to 1.1E3
10k Ω	10k Ω	:CAL:PROT:DC:STEP7 10E3	9E3 to 11E3
100k Ω	100k Ω	:CAL:PROT:DC:STEP8 100E3	90E3 to 110E3
1M Ω	1M Ω	:CAL:PROT:DC:STEP9 1E6	900E3 to 1.1E6

*Use exact calibrator resistance value for parameter.

DC current calibration

After the 1M Ω resistance point has been calibrated, follow these steps for DC current calibration:

1. Connect the calibrator to the AMPS and INPUT LO terminals of the Model 2701 as shown in [Figure 2-3](#).
2. Perform the calibration steps listed in [Table 2-10](#). For each step:
 - Set the calibrator to the indicated current and make sure the unit is in operate. (Use the recommended current if possible.)
 - Send the indicated programming command. (Change the current parameter if you are using a different calibration current.)
 - Wait until the Model 2701 completes each step before continuing.

NOTE *If you are performing DC-only calibration, proceed to “Programming calibration dates” on page 2-18*

Table 2-10
DC current calibration programming steps

Calibration step	Calibrator current	Calibration command*	Parameter range
10mA	10.00000mA	:CAL:PROT:DC:STEP10 10E-3	9E-3 to 11E-3
100mA	100.00000mA	:CAL:PROT:DC:STEP11 100E-3	90E-3 to 110E-3
1A	1.000000A	:CAL:PROT:DC:STEP12 1	0.9 to 1.1

*Change parameter if using different current.

AC voltage calibration

Follow these steps for AC voltage calibration:

1. Connect the calibrator to the Model 2701 INPUT HI and LO terminals as shown in [Figure 2-4](#).
2. Perform the calibration steps summarized in [Table 2-11](#). For each step:
 - Set the calibrator to the indicated voltage and frequency, make sure the unit is in operate. (You must use the stated voltage and frequency.)
 - Send the indicated programming command.
 - Wait until the Model 2701 completes each step before continuing.

Table 2-11

AC voltage calibration programming steps

Calibration step	Calibrator voltage, frequency	Calibration command
10mV AC at 1kHz	10.00000mV, 1kHz	:CAL:PROT:AC:STEP1
100mV AC at 1kHz	100.0000mV, 1kHz	:CAL:PROT:AC:STEP2
100mV AC at 50kHz	100.0000mV, 50kHz	:CAL:PROT:AC:STEP3
1VAC at 1kHz	1.000000V, 1kHz	:CAL:PROT:AC:STEP4
1VAC at 50kHz	1.000000V, 50kHz	:CAL:PROT:AC:STEP5
10VAC at 1kHz	10.00000V, 1kHz	:CAL:PROT:AC:STEP6
10VAC at 50kHz	10.00000V, 50kHz	:CAL:PROT:AC:STEP7
100VAC at 1kHz	100.0000V, 1kHz	:CAL:PROT:AC:STEP8
100VAC at 50kHz	100.0000V, 50kHz	:CAL:PROT:AC:STEP9
700VAC at 1kHz	700.000V, 1kHz	:CAL:PROT:AC:STEP10

AC current calibration

Follow these steps for AC current calibration:

1. Connect the calibrator to the AMPS and INPUT LO terminals of the Model 2701 as shown in [Figure 2-3](#).
2. Perform the calibration steps summarized in [Table 2-12](#). For each step:
 - Set the calibrator to the indicated current and frequency, make sure the unit is in operate. (You must use the stated current and frequency.)
 - Send the indicated programming command.
 - Wait until the Model 2701 completes each step before continuing.

Table 2-12

AC current calibration programming steps

Calibration step	Calibrator current, frequency	Calibration command
100mA at 1kHz	100.0000mA, 1kHz	:CAL:PROT:AC:STEP11
1A at 1kHz	1.000000A, 1kHz	:CAL:PROT:AC:STEP12
2A at 1kHz	2.000000A, 1kHz	:CAL:PROT:AC:STEP13

Programming calibration dates

Program the present calibration date and calibration due date by sending the following commands:

```
:CAL:PROT:DATE <year>, <month>, <day>
:CAL:PROT:NDUE <year>, <month>, <day>
```

For example, the following commands assume calibration dates of 12/15/1999 and 12/15/2000 respectively:

```
:CAL:PROT:DATE 1999, 12, 15
:CAL:PROT:NDUE 2000, 12, 15
```

Saving calibration constants

After completing the calibration procedure, send the following command to save the new calibration constants:

```
:CAL:PROT:SAVE
```

NOTE Calibration constants will not be saved unless the `:CAL:PROT:SAVE` command is sent.

Locking out calibration

After saving calibration, send the following command to lock out calibration:

```
:CAL:PROT:LOCK
```


Manufacturing calibration

The manufacturing calibration procedure is normally performed only at the factory, but the necessary steps are included here in case the unit is repaired and the unit requires these calibration procedures.

NOTE If the unit has been repaired, the entire comprehensive calibration procedure should also be performed in addition to the manufacturing calibration procedure.

Recommended test equipment

Table 2-13 summarizes the test equipment required for the manufacturing calibration steps. In addition, you will need the calibrator (see Table 2-1) and signal generator to complete the comprehensive calibration steps.

Table 2-13

Recommended equipment for manufacturing calibration

Stanford Research Systems DS345 Function Generator: 1 V RMS, 3Hz, ± 5 ppm 1 V RMS, 1kHz, ± 5 ppm
Keithley Model 2001 or 2002 Digital Multimeter: 1V, 3Hz AC, $\pm 0.13\%$
Keithley 7797 Calibration System

Calibration card preparation

Before performing manufacturing calibration, short the HI, LO, SHI, and SLO terminals of TE100 on the Model 7797 Calibration System card together using the supplied jumpers. (See the Model 7797 documentation.) These connections will form a low-thermal short necessary for the manufacturing calibration procedure. The Model 7797 should then be installed in scanner Slot #1.

Unlocking manufacturing calibration

To unlock manufacturing calibration, press and hold in the OPEN key while turning on the power.

Measuring function generator signal amplitude

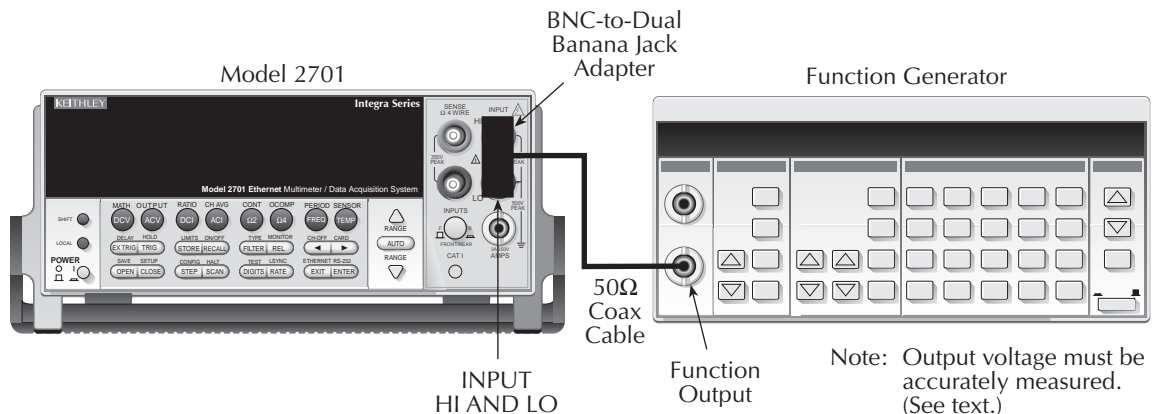
The 3Hz function generator signal amplitude must be accurately measured using the digital multimeter listed in [Table 2-13](#). Proceed as follows:

1. Connect the function generator output to the digital multimeter INPUT jacks. (See [Figure 2-5](#) for typical connections.)
2. Turn on the function generator and multimeter, allow a two-hour warm-up period before measuring.
3. Set the function generator to output a 1V RMS sine wave at 3Hz. Measure and record the signal amplitude.

Front panel manufacturing calibration

1. Install the shorted Model 7797 calibration board (see “Calibration card preparation” earlier in this section) in scanner card Slot 1 and select the rear inputs with the INPUTS switch. Allow three minutes for thermal equilibrium.
2. Press and hold the OPEN key while turning on the power.
3. Press SHIFT then TEST, then display CALIB: TEST with the up or down range key. Press ENTER, select RUN, then enter the appropriate calibration code (default: 002701).
4. Select ALL at the CAL:RUN prompt.
5. Press ENTER to perform the first manufacturing calibration step.
6. Perform the entire front panel comprehensive calibration procedure discussed earlier in this section. (See “Comprehensive calibration” earlier in this section.)
7. Connect the function generator to the Model 2701 front panel INPUT jacks as shown in [Figure 2-5](#). Select the front input jacks with the INPUTS switch.

Figure 2-5
Function generator connections for manufacturing calibration



8. After the last AC current calibration step, the instrument will prompt you to enter 3Hz at 1V RMS and 1kHz with the following prompts:
 - **Low-frequency cal** — Set the function generator to output a 1V RMS, 3Hz sine wave. Use the left and right arrow keys and the range keys to adjust the display to agree with the generator amplitude you measured previously, then press ENTER.
 - **Frequency cal** — Set the function generator to output a 1V RMS, 1kHz sine wave. Enter 1.000000kHz at the prompt, then press ENTER.
9. Set the calibration dates, then save calibration to complete the process.

Remote manufacturing calibration

1. Install the shorted Model 7797 calibration board (see “Calibration card preparation” earlier in this section) in scanner card Slot 1 and select the rear inputs with the INPUTS switch. Allow three minutes for thermal equilibrium.
2. Press and hold the OPEN key while turning on the power.
3. Enable calibration by sending the :CODE command. For example, the default command is:
:CAL:PROT:CODE 'KI002701'
4. Initiate calibration by sending the following command:
:CAL:PROT:INIT
5. Calibrate step 0 with the following command:
:CAL:PROT:DC:STEP0
6. Perform the entire remote comprehensive calibration procedure discussed earlier in this section. (See “Comprehensive calibration” on page 2-5.)
7. Connect the function generator to the Model 2701 INPUT jacks as shown in [Figure 2-5](#). Select the front input jacks with the INPUTS switch.
8. Set the generator to output a 1V RMS, 3Hz sine wave, then send the following command:
:CAL:PROT:AC:STEP14 <Cal_voltage>
Here <Cal_voltage> is the actual 3Hz generator signal amplitude you measured previously.
9. Set the generator to output a 1V RMS, 1kHz sine wave, then send the following command:
:CAL:PROT:AC:STEP15 1E3
10. Send the following commands to set calibration dates, save calibration, and lock out calibration:
:CAL:PROT:DATE <year>, <month>, <day>
:CAL:PROT:NDUE <year>, <month>, <day>
:CAL:PROT:SAVE
:CAL:PROT:LOCK

Model 7700 calibration

The following procedures calibrate the temperature sensors on the Model 7700 plug-in modules.

NOTE For additional information about the Keithley modules, refer to the appropriate appendix in the Model 2701 User's Manual.

Recommended test equipment

In order to calibrate the Model 7700, you will need equipment summarized in [Table 2-14](#).

Table 2-14

Recommended equipment for Model 7700 calibration

Digital Thermometer: 18° to 28°C, $\pm 0.1^\circ\text{C}$
Keithley Model 7797 Calibration System

Calibration card connections

The Model 7700 being calibrated should be connected to the Model 7797 Calibration System card and the card should then be installed in scanner Slot #1. (See the Model 7797 documentation.) Note that the module being calibrated will be external to the Model 2701 to avoid card heating during calibration.

Model 7700 calibration

NOTE Before calibrating the Model 7700, make sure that power has been removed from the card for at least two hours to allow card circuitry to cool down. After turning on the power during the calibration procedure, complete the procedure as quickly as possible to minimize card heating that could affect calibration accuracy. Allow the Model 2701 to warm up for at least two hours.

Front panel Model 7700 calibration

1. Connect the Model 7700 to the Model 7797 Calibration System card (see [“Calibration card connections”](#) above).
2. With the power off, install the Model 7700/7797 combination in Slot 1 and select the rear inputs with the INPUTS switch. Allow three minutes for thermal equilibrium.
3. Accurately measure and record the cold temperature of the Model 7700 card surface at the center of the card with an RTD sensor.
4. Press and hold the Model 2701 OPEN key while turning on the power.

5. Press SHIFT then TEST, then display TEST:CALIB with the up or down range key. Press ENTER, select RUN, then enter the appropriate calibration code (default: 002701).
6. Using the up or down range key, select CARD at the CAL:RUN prompt, then press ENTER.
7. Set the display value to the cold calibration temperature (°C) you measured in Step 3, then press ENTER to complete Model 7700 calibration.

Remote Model 7700 calibration

1. Connect the Model 7700 to the Model 7797 Calibration System card (see [“Calibration card connections”](#) on page 2-22).
2. With the power off, install the Model 7700/7797 combination in Slot 1 and select the rear inputs with the INPUTS switch. Allow three minutes for thermal equilibrium.
3. Accurately measure and record the cold temperature of the Model 7700 card surface at the center of the card.
4. Press and hold the Model 2701 OPEN key while turning on the power.
5. Enable calibration by sending the :CODE command. For example, the default command is:
:CAL:PROT:CODE 'KI002701'
6. Initiate calibration by sending the following command:
:CAL:PROT:CARD1:INIT
7. Calibrate the Model 7700 with the following command:
:CAL:PROT:CARD1:STEP0 <temp>
Here <temp> is the cold calibration temperature (°C) measured in Step 3.
8. Send the following commands to save calibration and lock out calibration:
:CAL:PROT:CARD1:SAVE
:CAL:PROT:CARD1:LOCK

3

Routine Maintenance

Introduction

The information in this section deals with routine type maintenance and includes procedures for setting the line voltage, replacing the Model 2701 line and front terminal AMPS fuses, and replacing the amps fuses for the Model 7700 plug-in module. Replacement of the Model 2701 non-volatile RAM battery and module relay closure count is also covered.

Setting the line voltage and replacing the line fuse

WARNING Disconnect the line cord at the rear panel and remove all test leads connected to the instrument (front and rear) before replacing the line fuse.

The power line fuse is located in the power module next to the AC power receptacle (see [Figure 3-1](#)). If the line voltage must be changed or if the line fuse requires replacement, perform the following steps:

1. Place the tip of a flat-blade screwdriver into the power module by the fuse holder assembly (see [Figure 3-1](#)). Gently push in and to the left. Release pressure on the assembly and its internal spring will push it out of the power module.
2. Remove the fuse and replace it with the type listed in [Table 3-1](#).

CAUTION For continued protection against fire or instrument damage, replace the fuse only with the type and rating listed. If the instrument repeatedly blows fuses, locate and correct the cause of the trouble before replacing the fuse.

3. If configuring the instrument for a different line voltage, remove the line voltage selector from the assembly and rotate it to the proper position. When the selector is installed into the fuse holder assembly, the correct line voltage appears inverted in the window.

CAUTION Operating the Model 2701 on the wrong line voltage may result in instrument damage.

4. Install the fuse holder assembly into the power module by pushing it in until it locks in place.

Figure 3-1
Power module

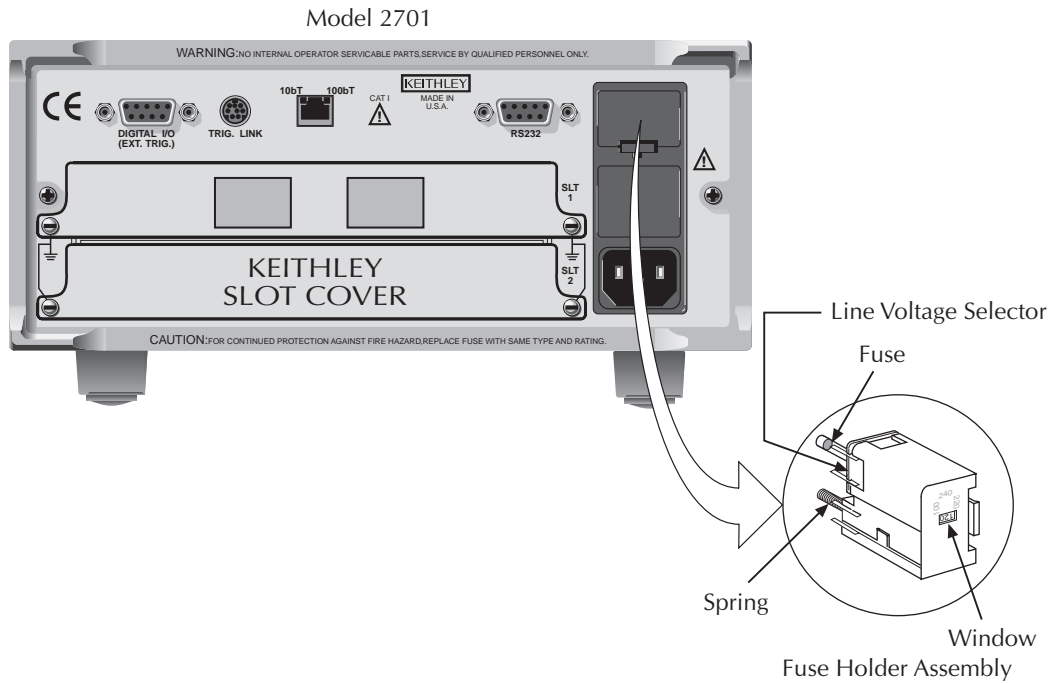


Table 3-1
Power line fuse

Line Voltage	Rating	Keithley Part No.
100/120V	0.630A, 250V, 5 × 20 mm, slow-blow	FU-106-.630
200/240V	0.315A, 250V, 5 × 20 mm, slow-blow	FU-106-.315

Replacing the front terminal AMPS fuse

The front terminal AMPS fuse protects the Model 2701 current input from an over-current condition. Follow the steps below to replace the AMPS fuse.

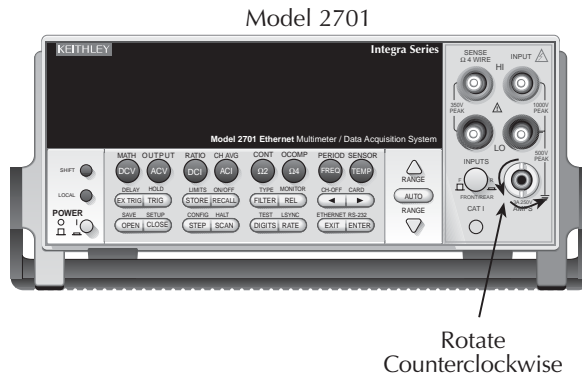
WARNING Make sure the instrument is disconnected from the power line and other equipment before replacing the AMPS fuse.

1. Turn off the power and disconnect the power line and test leads.
2. From the front panel, gently push in the AMPS jack with your thumb and rotate the fuse carrier one-quarter turn counterclockwise. (See [Figure 3-2](#).) Release pressure on the jack and its internal spring will push the fuse carrier out of the socket.
3. Remove the fuse and replace it with the same type: 3A, 250V, fast-blow, Keithley part number FU-99-1.

CAUTION Do not use a fuse with a higher current rating than specified or instrument damage may occur. If the instrument repeatedly blows fuses, locate and correct the cause of the trouble before replacing the fuse.

4. Install the new fuse by reversing the above procedure.

Figure 3-2
Front terminal AMPS fuse



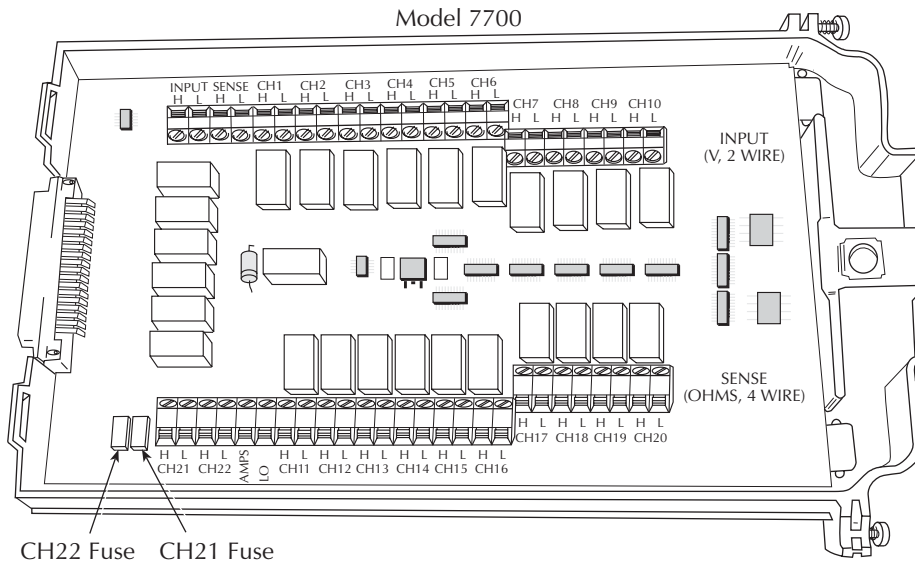
Replacing Model 7700 plug-in module amps fuses

WARNING The information in this section is intended only for qualified service personnel. Do not perform these procedures unless you are qualified to do so.

Make sure that all plug-in module connections are de-energized and disconnected before replacing module amps fuses.

1. Turn off the power and disconnect the power line and external connections from the Model 7700.
2. Open the Model 7700 top cover.
3. Locate the amps fuses for CH21 and CH22 (see Figure 3-3).
4. Remove the circuit board from the bottom plastic housing by removing the two bottom screws.

Figure 3-3
Model 7700 amps fuses



5. De-solder the blown CH21 or CH22 fuse as required, taking care not to damage the circuit board or spread solder flux around the board.
6. Install a new 3A, 250V fast-blow fuse, Keithley part number FU-107-1.

CAUTION Do not use a fuse with a higher current rating than specified or module damage may occur.

7. Solder the new fuse in place using organic (OA based) flux solder, again taking care not to damage the circuit board or spread solder flux around the board.

8. Carefully clean the repaired area of the circuit board with a foam tipped swab or brush dipped in pure water, then blow dry the board with dry nitrogen gas. Allow the board to dry for several hours in a 50°C low-humidity environment before use.
9. Re-install the circuit board into the plastic housing, then close the top cover.

Replacing non-volatile RAM battery

The Model 2701 has a rechargeable lithium ion battery for non-volatile RAM. Use the procedure below to replace the battery, if required. Refer to the disassembly procedures in [Section 5](#) and the parts list and component layout drawings at the end of [Section 6](#) for more information.

WARNING There is a danger of explosion if the battery is incorrectly replaced. Replace only with the part designated by the corresponding Keithley part number. Dispose of used batteries according to the manufacturer's instructions.

The following procedure is intended only for qualified service personnel. Do not perform this procedure unless you are qualified to do so.

Disconnect the line cord and all connecting wires from the Model 2701 before removing the top cover.

WARNING The precautions below must be followed to avoid personal injury.

- Wear safety glasses or goggles when working with lithium ion batteries.
 - Do not short the battery terminals together.
 - Keep lithium ion batteries away from all liquids.
 - Observe proper polarity when installing the battery.
 - Do not incinerate or otherwise expose the battery to excessive heat (>60°C).
 - Bulk quantities of lithium ion batteries should be disposed of as hazardous waste.
1. Before replacing the battery, refer to the troubleshooting procedures in [Table 4-4](#) in [Section 4](#) to determine if the battery requires replacement
 2. Remove the Model 2701 top cover and motherboard using the disassembly procedures in [Section 5](#).
 3. Remove the battery from its holder on the bottom of the case near the front panel.
 4. Install a new battery, Keithley part number BA-52.
 5. Re-install the motherboard and top cover by following the disassembly procedures in [Section 5](#) in reverse order. Be sure to plug in all cables including the cable that connects the battery to the motherboard at J900.

Plug-in module relay closure count

The Model 2701 keeps an internal count of the number of times each module relay has been closed. This count will help you determine if and when any relays require replacement (see module contact life specifications). The count can be read or reset only via remote as outlined below.

Closure count commands

Table 3-2 summarizes closure count commands.

Table 3-2
Closure count commands

Command	Description
:ROUte	Route subsystem.
:CLOSe	Path to CLOSe commands.
:COUNt? (@clist)	Query count for channels in clist (channel list).
:INTerval < NRf>	Set count update interval in minutes (1 to 1440).
:INTerval?	Query count update interval.
:RCOUNt (@clist)	Reset count for channels in clist.*

* Unit must be in manufacturing calibration mode. See text below.

Reading relay closure count

To determine the closure count of specific channels, send this query via remote:

```
:ROUte:CLOSe:COUNt? (@clist)
```

Here, clist is the summary of channels. For example, to determine the closure count of channels 1 and 4 of a module in slot 1, the following query would be sent:

```
:ROUT:CLOS:COUN? (@101,104)
```

The following query would determine the closure count of slot 1 module channels 1 through 10:

```
:ROUT:CLOS:COUN? (@101:110)
```

Resetting relay closure count

NOTE The Model 2701 must be in the manufacturing calibration mode to reset the closure count. To do so, press and hold the OPEN key while turning on the power, then send the :CAL:PROT:CODE "code" to unlock calibration (default code: KI002701). After resetting relay counts, send :CAL:PROT:LOCK to lock out calibration.

To reset the relay closure count of specific channels to 0, send this command via remote:

```
:ROUTe:CLOSe:RCOunt (@clist)
```

Again clist is the summary of channels to be reset. For example, the following command resets channels 2 and 7 of a module in slot 1 to 0:

```
:ROUT:CLOS:RCO (@102,107)
```

The following command resets the count of slot 1 module channels 1 through 10:

```
:ROUT:CLOS:RCO (@101:110)
```

Setting count update interval

Relay closure counts are updated in temporary RAM every time a channel is closed regardless of how it was closed: by a SCPI command, front panel control, or during a scan. These counts are permanently written to the EEPROM on the card only at a user-settable time interval (which has a factory default of 15 minutes) or whenever the counts are queried. Valid intervals (set in integer number of minutes) are between 1 and 1440 minutes (24 hrs). Relay closures are counted only when a relay cycles from open to closed state. If you send multiple close commands to the same channel without sending an open command, only the first closure will be counted.

The lower the interval, the less chance there is of losing relay counts due to power failures. However, writing to the EEPROM more often may reduce scanning throughput. The higher the interval, the less scanning throughput is reduced, but more relay counts may be lost in the event of a power failure.

To set the count update interval, send this command:

```
:ROUTe:CLOSe:COUNT:INTerval <interval>
```

For example, to set the interval to 30 minutes, send this command:

```
:ROUT:CLOS:COUN:INT 30
```

4

Troubleshooting

Introduction

This section of the manual will assist you in troubleshooting and repairing the Model 2701. Included are self-tests, test procedures, troubleshooting tables, and circuit descriptions. It is left to the discretion of the repair technician to select the appropriate tests and documentation needed to troubleshoot the instrument. Refer to the disassembly procedures in [Section 5](#) and the parts lists in [Section 6](#) for further information.

WARNING The information in this section is intended only for qualified service personnel. Do not perform these procedures unless you are qualified to do so. Some of these procedures may expose you to hazardous voltages that could cause personal injury or death. Use caution when working with hazardous voltages.

Repair considerations

Before making any repairs to the Model 2701, be sure to read the following considerations.

CAUTION The PC boards are built using surface mount techniques and require specialized equipment and skills for repair. If you are not equipped and/or qualified, it is strongly recommended that you send the unit back to the factory for repairs or limit repairs to the PC board replacement level. Without proper equipment and training, you could damage a PC board beyond repair.

- Repairs will require various degrees of disassembly. However, it is recommended that the Front Panel Tests be performed prior to any disassembly. The disassembly instructions for the Model 2701 are contained in [Section 5](#) of this manual.
- Do not make repairs to surface mount PC boards unless equipped and qualified to do so (see previous CAUTION).
- When working inside the unit and replacing parts, be sure to adhere to the handling precautions and cleaning procedures explained in [Section 5](#).
- Many CMOS devices are installed in the Model 2701. These static-sensitive devices require special handling as explained in [Section 5](#).
- Whenever a circuit board is removed or a component is replaced, the Model 2701 must be recalibrated. See [Section 2](#) for details on calibrating the unit.

Power-on self-tests

RAM and EPROM tests

During the power-on sequence, the Model 2701 will perform a checksum test on its EPROM and test its RAM. If the RAM tests fails, the instrument will lock up.

Flash memory tests

After the RAM and EPROM tests, the instrument will perform a checksum test on flash memory. If a failure occurs, the unit will perform the comprehensive tests summarized in [Table 4-1](#). If a failure occurs, an error message will be displayed, and the unit will automatically enter the firmware upgrade mode (as indicated by “FW UPGRADE” message). Depending on the failure mode, firmware upgrades can be performed through the port(s) listed in the table. You can also force the unit into the firmware upgrade mode by holding in the STEP key during power-up.

Table 4-1
Flash memory failure modes

Flash memory code sections ¹	Status and error messages	Firmware upgrade port ³
FPGA	LOADING FPGA FPGA CHKSUM ² FPGA TIMEOUT ² FPGA COMMERR ²	RS-232
Ethernet	LOAD ETHRNET ETHER CHKSUM ² ETHR TIMEOUT ²	RS-232
Main code	LOADING MAIN MAIN CHKSUM ²	RS-232 or Ethernet

1. Code sections tested in sequence shown.
2. Error message displayed only on failure of specific test.
3. Firmware upgrade can be performed only through indicated port(s) depending on failure mode.

Front panel tests

There are two front panel tests: one to test the functionality of the front panel keys and one to test the display. In the event of a test failure, refer to “[Display board checks](#)” on page 4-13 for details on troubleshooting the display board.

KEY test

The KEY test allows you to check the functionality of each front panel key. Perform the following steps to run the KEY test:

1. Press SHIFT and then TEST to access the self-test options.
2. Use the up or down RANGE key to display “TEST: KEY.”
3. Press ENTER to start the test. When a key is pressed, the label name for that key is displayed to indicate that it is functioning properly. When the key is released, the message “NO KEY PRESS” is displayed.
4. Pressing EXIT tests the EXIT key. However, the second consecutive press of EXIT aborts the test and returns the instrument to normal operation.

DISP test

The display test allows you to verify that each segment and annunciator in the vacuum fluorescent display is working properly. Perform the following steps to run the display test:

1. Press SHIFT and then TEST to access the self-test options.
2. Use the up or down RANGE key to display “TEST: DISP.”
3. Press ENTER to start the test. There are four parts to the display test. Each time ENTER is pressed, the next part of the test sequence is selected. The four parts of the test sequence are as follows:
 - a. All annunciators are displayed.
 - b. The segments of each digit are sequentially displayed.
 - c. The 12 digits (and annunciators) are sequentially displayed.
 - d. The annunciators located at either end of the display are sequentially displayed.
4. When finished, abort the display test by pressing EXIT. The instrument returns to normal operation.

Principles of operation

The following information is provided to support the troubleshooting tests and procedures covered in this section of the manual. Refer to the following block diagrams:

Figure 4-1 — Power supply block diagram

Figure 4-2 — Digital circuitry block diagram

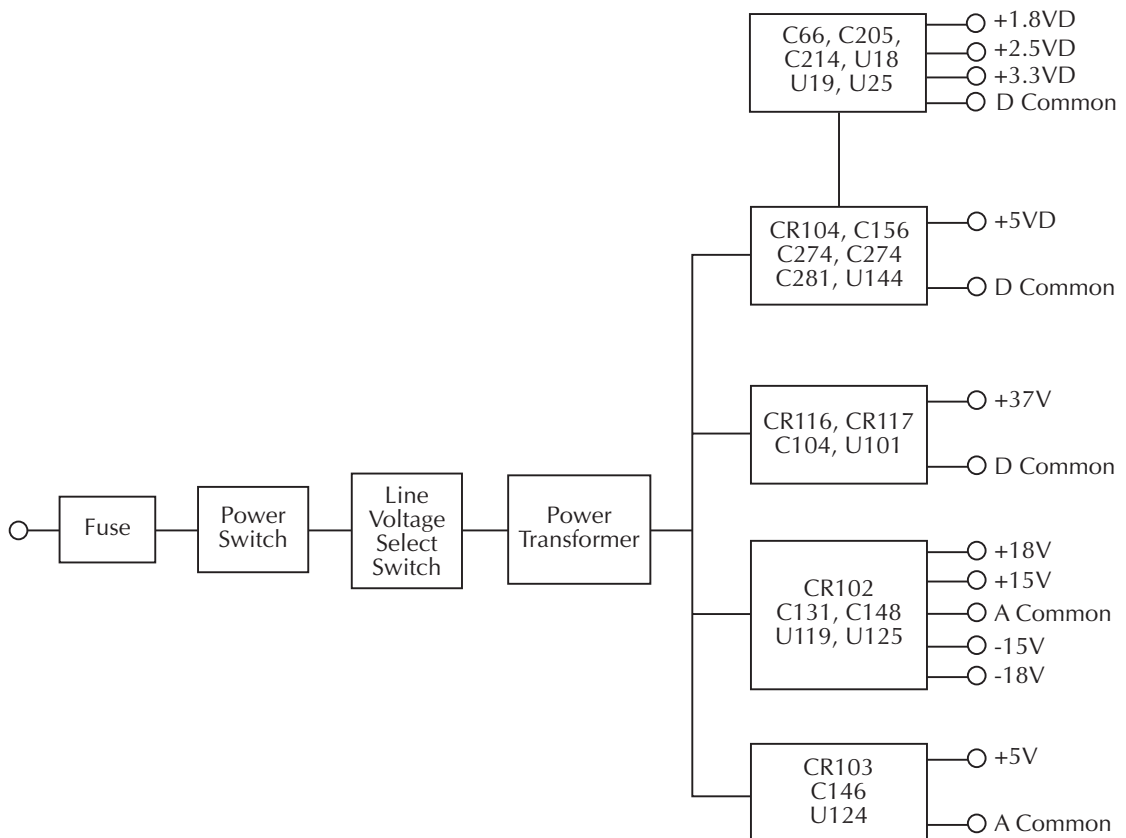
Figure 4-3 — Analog circuitry block diagram

Figure 4-4 — Ohms open-lead sense detection block diagram

Power supply

The following information provides some basic circuit theory that can be used as an aid to troubleshoot the power supply. A block diagram of the power supply is shown in Figure 4-1.

Figure 4-1
Power supply block diagram



AC power is applied to the AC power module receptacle. Power is routed through the line fuse and line voltage selection switch of the power module to the power transformer. The power transformer has a total of four secondary windings for the various supplies.

AC voltage for the display filaments is taken from a power transformer secondary at F1 and F2, then routed to the display board.

Each DC supply uses a rectifier and a capacitive filter, and many supplies use an IC regulator. [Table 4-2](#) summarizes rectifier, filter, and regulator circuits for the various DC supplies.

Table 4-2
Power supply components

Supply	Rectifier	Filter	Regulator
+5VD	CR104	C156, C273, C274, C281	U144
+3.3VD	-	C66	U18
+2.5VD	-	C205	U25
+1.8VD	-	C214	U19
+37V	CR115, CR117	C104	U101
+15V	CR102	C148	U125
-15V	CR102	C131	U119
+5V, +5VRL, +5V2	CR103	C146	U124
+18V	CR102	C148	-
-18V	CR102	C131	-

Display board

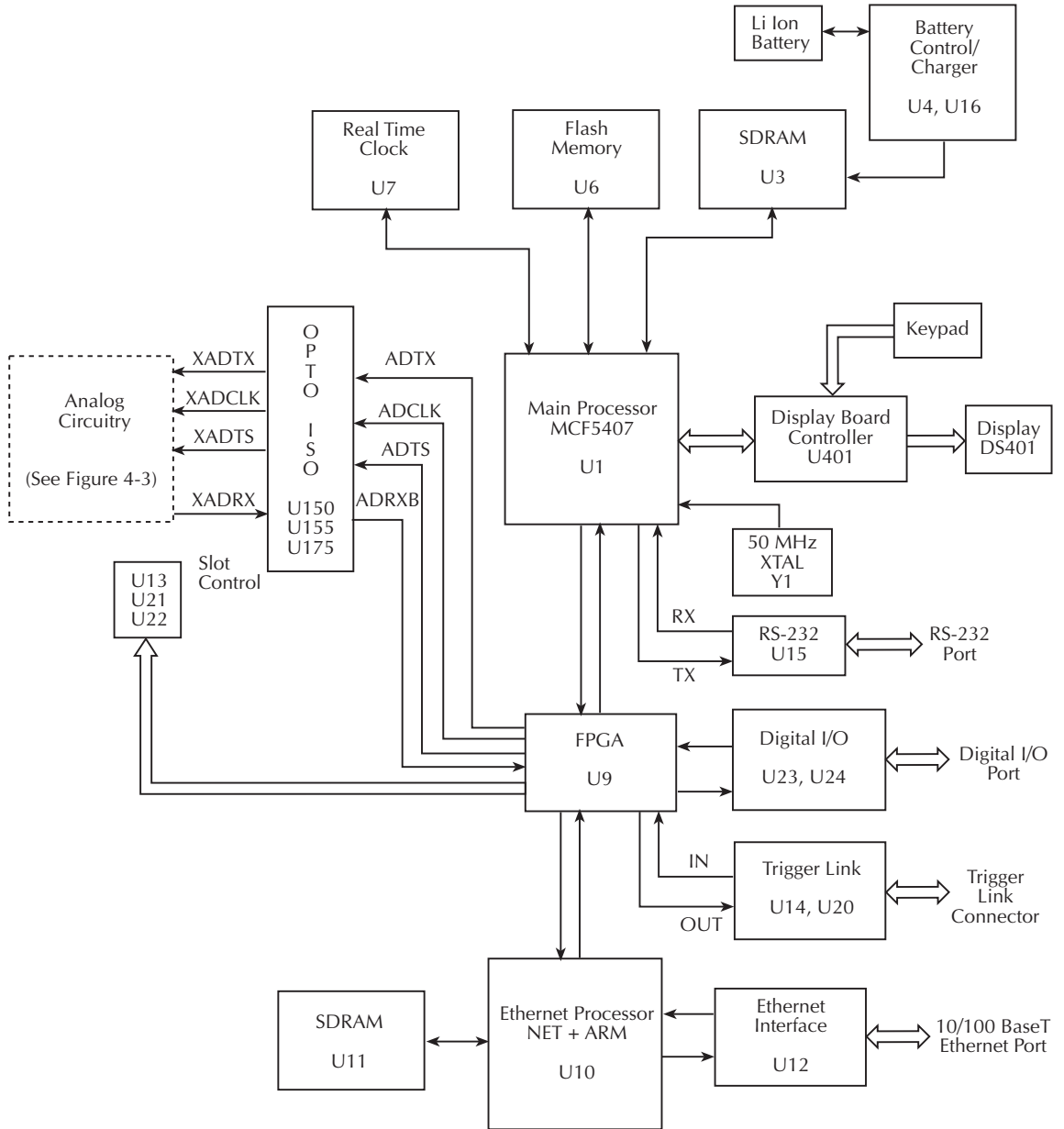
Display board components are shown in the digital circuitry block diagram in [Figure 4-2](#).

Microcontroller

U401 is the display board microcontroller that controls the display and interprets key data. The microcontroller uses three internal peripheral I/O ports for the various control and read functions.

Display data is serially transmitted to the microcontroller from the digital section via the TXB line to the microcontroller RDI terminal. In a similar manner, key data is serially sent back to the digital section through the RXB line via TDO. The 4MHz clock for the microcontroller is generated by crystal Y401.

Figure 4-2
Digital circuitry block diagram



Display

DS401 is the display module, which can display up to 12 alpha-numeric characters and includes the various annunciators.

The display uses a common multiplexing scheme with each character refreshed in sequence. U402 and U403 are the drivers for the display characters and annunciators. Note that data for the drivers are serially transmitted from the microcontroller (MOSI and PC1).

Filament voltage for the display is derived from the power supply transformer (F1 and F2). The display drivers require +37VDC and +5VDC, which are supplied by U144 (+5VD) and U101 (+37V).

Key matrix

The front panel keys (S401-S430) are organized into a row-column matrix to minimize the number of microcontroller peripheral lines required to read the keyboard. A key is read by strobing the columns and reading all rows for each strobed column. Key-down data is interpreted by the display microcontroller and sent back to the main microprocessor using proprietary encoding schemes.

Digital circuitry

Refer to [Figure 4-2](#) for the following discussion on digital circuitry.

Main microprocessor

U1 is an MCF5407 microprocessor that oversees all operating aspects of the instrument except the Ethernet interface (see below). The MPU has a 32-bit data bus and provides a 24-bit address bus. It also has integrated peripheral support such as 16-bit I/O, an integral DRAM controller with SDRAM support, and UARTs, one of which is used for the RS-232 interface.

The MPU clock frequency of 50MHz is controlled by crystal Y1. MPU RESET is performed momentarily on power-up.

Memory circuits

U6 is the flash memory that stores the firmware code for instrument operation and SDRAM U3 provides temporary storage for the MPU. A battery watchdog control automatically senses when the +5VD supply is being powered down and then switches to the lithium ion battery for power. Battery charge is maintained by U4 and associate components.

Real time clock

U7 is the real time clock. The clock runs from main power and switches to two 0.33F capacitors (C43, C44) on power down and can hold the time for up to six months.

RS-232 interface

Serial data transmission and reception is performed by the TXD and RXD lines of the MPU. U15 provides the necessary voltage level conversion for the RS-232 interface port.

Trigger circuits

Buffering for Trigger Link input and output is performed by U14 and U20. Trigger input and output is controlled by FPGA U9 under MPU supervision.

Digital I/O

U23 and U24 make up the digital input/output. Digital I/O is controlled by the FPGA U9 under MPU supervision.

Module slot control

U13 and U21 make up the control circuitry that allows communication of relay data to Slot 1 or Slot 2.

Ethernet interface

U10 is a NET+ARM 32-bit RISC processor that supervises Ethernet port operation. This IC includes an integrated 10/100BaseT MAC as well as numerous other features such as two serial ports, DMA controller, and general-purpose I/O lines. U1 is the ARM processor memory IC, while U12 provides Ethernet port I/O buffering and drive capabilities.

Analog circuitry

Refer to [Figure 4-3](#) for the following discussion on analog circuitry.

INPUT HI

INPUT HI protection is provided by the SSP (Solid State Protection) circuit. The SSP is primarily made up of Q101 and Q102. An overload condition opens Q101 and Q102, which disconnects the analog input signal from the rest of the analog circuit.

Note that for the 100VDC and 1000VDC ranges, Q101 and Q102 of the SSP are open. The DC voltage signal is routed through the DCV Divider (Q114 and Q136) to the DCV switching circuit.

AMPS input

The ACA or DCA input signal is applied to the Current Shunt circuit, which is made up of K103, R158, R205, and R338. For the 20mA DC range, 5.1Ω ($R205/[R338 + R158]$) is shunted across the input. Relay K103 is energized (set state) to select the shunts. For all other DCA ranges and all ACA ranges, 0.1Ω (R158) is shunted across the input (K103 reset).

The ACA signal is then sent to the AC Switching & Gain circuit, while the DCA signal is routed directly to the A/D MUX & Gain circuit.

Signal switching

Signal switching for DCV and OHMS is done by the DCV & Ohms Switching circuit. FETs Q113, Q105, Q104, and Q108 connect the DCV or ohms signal to the X1 buffer (U113).

Note that the reference current for OHMS is generated by the Ohms I-Source circuit. For 4-wire ohms measurements, SENSE LO is connected to U126.

Signal switching and gain for ACV, FREQ and ACA is done by the AC Switching & Gain circuit, which is primarily made up of K102, U102, U103, U105, U112, U118, U111, and U110. Note that U111 is used for frequency adjustment. The states of these analog switches vary from unit to unit.

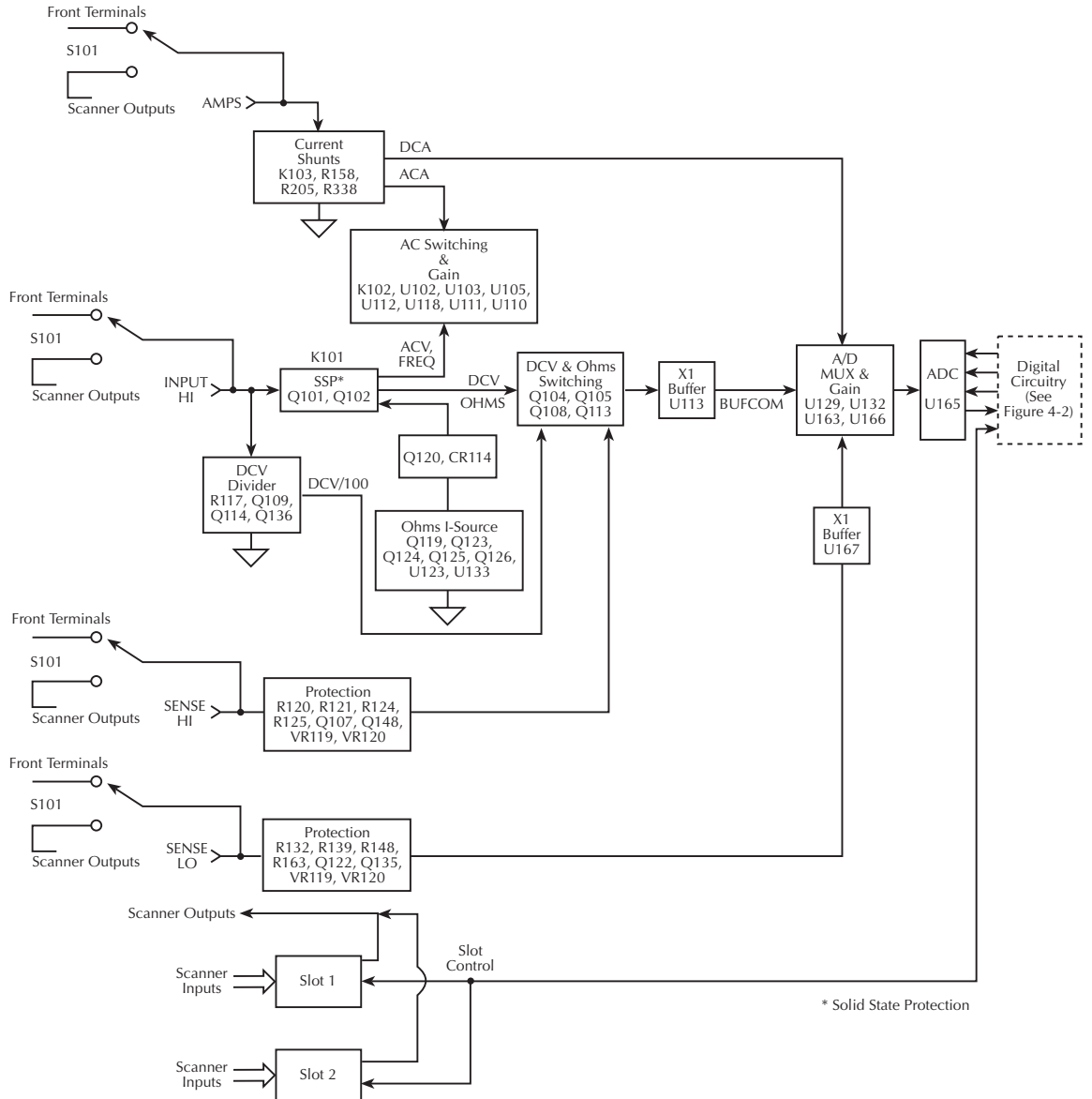
Multiplexer and A/D converter

All input signals, except FREQ, are routed to the A/D MUX & Gain circuit. The multiplexer (U163) switches the various signals for measurement. In addition to the input signal, the multiplexer also switches among reference and zero signals at various phases of the measurement cycle.

When the input signal is selected by the MUX, it is amplified by U132 and U166. Gain is controlled by switches in U129 and associated resistors.

The multiplexed signals of the measurement cycle are routed to the A/D Converter (U165) where it converts the analog signals to digital form. The digital signals are then routed through an opto-isolator to the MPU to calculate a reading.

Figure 4-3
Analog circuitry block diagram

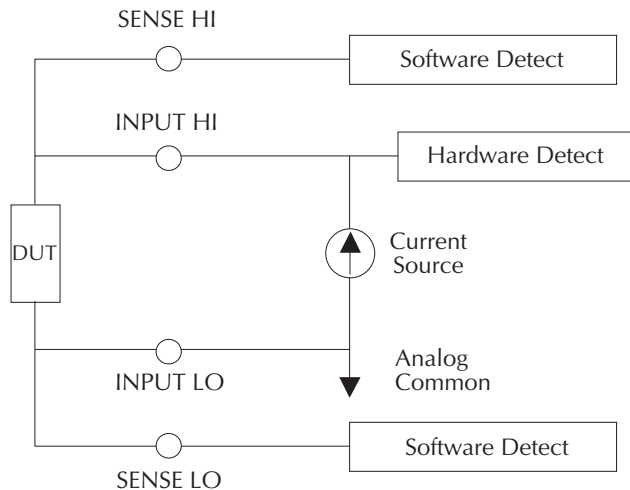


Ohms open-lead sense detection

There are two types of open sense lead detect (Figure 4-4). The first is for the INPUT HI and INPUT LO leads. For these leads, the open sense detection is implemented in hardware. A comparator circuit monitors the voltage at the INPUT HI lead output and will trip the OVLD detect circuit when the voltage level exceeds an appropriate value for the particular range. This circuit operates because the INPUT HI lead output is connected to a current source. If the lead is disconnected, it will quickly charge the output to the current source maximum voltage level. This level depends on the range and is documented in the specifications in Appendix A. When the open sense lead is detected, the front panel will display OVRFLW.

The second type of open sense lead detection is implemented in software. This function works for the SENSE HI and SENSE LO leads. The SENSE HI and SENSE LO leads will drift negative when disconnected due to small leakage currents. These leads, when operating properly, will always have a positive voltage on them; and when disconnected, they will drift to negative voltages. The open lead sense software monitors the voltage at these inputs and will trip the open sense detect when the inputs drift to -15mV . When the open sense condition is detected, the front panel will display OVRFLW.

Figure 4-4
Ohms open-lead sense detection block diagram



Scanner card signals

Scanner card input signals are connected directly to installed scanner cards. Scanner card output signals are routed internally to the INPUTS switch, which selects between the front panel terminals and the scanner card outputs.

Troubleshooting

Troubleshooting information for the various circuits is summarized below. See “Principles of operation” on page 4-5 for circuit theory.

Display board checks

If the front panel DISP tests show a failure, troubleshoot the display board using [Table 4-3](#).

Table 4-3
Display board checks

Step	Item/component	Required condition	Remarks
1	Front panel DISP test	Verify that all segments operate.	Use front panel display test.
2	P1005, pin 5	+5V \pm 5%	Digital +5V supply.
3	P1005, pin 9	+37V \pm 5%	Display +37V supply.
4	U401, pin 1	Goes low briefly on power up, then goes high.	Microcontroller RESET.
5	U401, pin 43	4MHz square wave.	Controller 4MHz clock.
6	U401, pin 32	Pulse train every 1msec.	Control from main processor.
7	U401, pin 33	Brief pulse train when front panel key is pressed.	Key down data sent to main processor.

Power supply checks

Power supply problems can be checked using [Table 4-4](#).

Table 4-4
Power supply checks

Step	Item/component	Required condition	Remarks
1	Line fuse	Check continuity.	Remove to check.
2	Line voltage	120V/240V as required.	Check power module position.
3	Line power	Plugged into live receptacle, power on.	Check for correct power-up sequence.
4	+5VD pad	+5V \pm 5%	+5VD, referenced to Common D. ¹
5	+3.3VD pad	+3.3V \pm 5%	+3.3VD, referenced to Common D. ¹
6	+2.5VD pad	+2.5V \pm 5%	+2.5VD, referenced to Common D. ¹
7	+1.8VD pad	+1.8V \pm 5%	+1.8VD, referenced to Common D. ¹
8	U101, pin 7	+37V \pm 5%	+37V, referenced to Common D. ¹
9	U125, pin 3	+15V \pm 5%	+15V, referenced to Common A. ²
10	U119, pin 3	-15V \pm 5%	-15V, referenced to Common A. ²
11	U124, pin 3	+5V \pm 5%	+5VRL, referenced to Common A. ²

¹ U144, pin 2

² C293 negative terminal

Digital circuitry checks

Digital circuit problems can be checked using [Table 4-5](#).

Table 4-5
Digital circuitry checks

Step	Item/component	Required condition	Remarks
1	Power-on test	RAM OK, ROM OK.	Verify that RAM and ROM are functional.
2	J1, pin 3	Digital common.	All signals referenced to digital common.
3	J1, pin 9	+3.3V (+3.3VD supply)	MPU supply voltage.
4	U4, pin 9	+4.2V	Battery backed memory charge voltage.
5	J900, pin 1	+4.2V	Battery voltage (BA-52).
6	U1, pin 149	Low on power-up, then goes high.	MPU RESET line.
7	U1, lines A0-A24	Check for stuck bits.	MPU address bus.
8	U1, lines D0-D31	Check for stuck bits.	MPU data bus.
9	U1, pin 174	50MHz	MPU clock.
10	U15, pin 13	Pulse train during RS-232 I/O.	RS-232 RX line.
11	U15, pin 14	Pulse train during RS-232 I/O.	RS-232 TX line.
12	TP8	500Hz signal.	Signal present if main code is running properly.

Analog signal switching states

[Table 4-6](#) through [Table 4-12](#) provide switching states of the various relays, FETs, and analog switches for the basic measurement functions and ranges. These tables can be used to assist in tracing an analog signal from the input to the A/D multiplexer.

Table 4-6
DCV signal switching

Range	Q101	Q102	Q114	Q136	Q109	K101*	Q113	Q105	Q104	Q108	Q14/ Q13
100mV	ON	ON	OFF	OFF	OFF	SET	OFF	OFF	ON	OFF	OFF
1V	ON	ON	OFF	OFF	OFF	SET	OFF	OFF	ON	OFF	OFF
10V	ON	ON	OFF	OFF	OFF	SET	OFF	OFF	ON	OFF	ON
100V	OFF	OFF	ON	ON	OFF	SET	OFF	OFF	OFF	ON	OFF
1000V	OFF	OFF	ON	ON	OFF	SET	OFF	OFF	OFF	ON	OFF

* K101 set states: Pin 8 switched to Pin 7
Pin 3 switched to Pin 4

Table 4-7
ACV and FREQ signal switching

Range	Q101	Q102	K101*	K102*	U103 pin 8	U103 pin 9	U105 pin 9	U105 pin 8	U103 pin 16	U103 pin 1	U105 pin 1	U111 pin 16
100mV	ON	ON	RESET	RESET	ON	ON	OFF	OFF	OFF	ON	ON	OFF
1V	ON	ON	RESET	RESET	ON	ON	OFF	OFF	ON	OFF	OFF	OFF
10V	ON	ON	RESET	SET	OFF	OFF	ON	OFF	OFF	ON	ON	OFF
100V	ON	ON	RESET	SET	OFF	OFF	ON	OFF	ON	OFF	OFF	OFF
750V	ON	ON	RESET	SET	OFF	OFF	ON	ON	OFF	OFF	OFF	OFF

* K101 and K102 reset states: Pin 8 switched to Pin 9
Pin 3 switched to Pin 2
K101 and K102 set states: Pin 8 switched to Pin 7
Pin 3 switched to Pin 4

Table 4-8
 $\Omega 2$ signal switching

Range	Q101	Q102	Q114	Q136	Q109	K101*	K102*	Q113	Q105	Q104	Q108	Q11
100 Ω	ON	ON	OFF	OFF	OFF	SET	RESET	OFF	ON	OFF	OFF	ON
1k Ω	ON	ON	OFF	OFF	OFF	SET	RESET	OFF	ON	OFF	OFF	ON
10k Ω	ON	ON	OFF	OFF	OFF	SET	RESET	OFF	ON	OFF	OFF	ON
100k Ω	ON	ON	OFF	OFF	OFF	SET	RESET	OFF	ON	OFF	OFF	OFF
1M Ω	ON	ON	OFF	OFF	OFF	SET	RESET	OFF	ON	OFF	OFF	OFF
10M Ω	ON	ON	OFF	OFF	ON	SET	RESET	OFF	ON	OFF	OFF	ON
100M Ω	ON	ON	OFF	OFF	ON	SET	RESET	OFF	ON	OFF	OFF	ON

* K101 set states: Pin 8 switched to Pin 7
Pin 3 switched to Pin 4
K102 reset states: Pin 8 switched to Pin 9
Pin 3 switched to Pin 2

Table 4-9
 $\Omega 4$ signal switching

Range	Q101	Q102	Q114	Q136	Q109	K101*	Q113	Q105	Q104	Q108	Q11
100 Ω	ON	ON	OFF	OFF	OFF	SET	ON	OFF	OFF	OFF	ON
1k Ω	ON	ON	OFF	OFF	OFF	SET	ON	OFF	OFF	OFF	ON
10k Ω	ON	ON	OFF	OFF	OFF	SET	ON	OFF	OFF	OFF	ON
100k Ω	ON	ON	OFF	OFF	OFF	SET	ON	OFF	OFF	OFF	OFF
1M Ω	ON	ON	OFF	OFF	OFF	SET	ON	OFF	OFF	OFF	OFF
10M Ω	ON	ON	OFF	OFF	ON	SET	OFF	ON	OFF	OFF	ON
100M Ω	ON	ON	OFF	OFF	ON	SET	OFF	ON	OFF	OFF	ON

* K101 set states: Pin 8 switched to Pin 7
 Pin 3 switched to Pin 4

Table 4-10
 $\Omega 2/\Omega 4$ reference switching

Range	U133/0.7V	U133/7V	Q123	Q125	Q124	Q126	Q120
100 Ω	OFF	ON	ON	ON	OFF	OFF	ON
1k Ω	OFF	ON	ON	ON	OFF	OFF	ON
10k Ω	OFF	ON	OFF	OFF	ON	ON	ON
100k Ω	ON	OFF	OFF	OFF	ON	ON	ON
1M Ω	ON	OFF	OFF	OFF	ON	ON	ON
10M Ω	OFF	ON	OFF	OFF	ON	ON	OFF
100M Ω	OFF	ON	OFF	OFF	ON	ON	OFF

Table 4-11
 DCA signal switching

Range	K103*
20mA	Set
100mA	Reset
1A	Reset
3A	Reset

* K103 set states: Pin 8 to 7
 Pin 3 to 4
 K103 reset states: Pin 8 to 9
 Pin 3 to 2

Table 4-12
ACA signal switching

Range	K103*	U105 pin 16	U105 pin 1	U111 pin 16	U105 pin 8	U103 pin 16	U103 pin 1
1A	Reset	ON	ON	OFF	OFF	OFF	OFF
3A	Reset	ON	ON	ON	OFF	OFF	OFF

* K103 set states: Pin 8 to 7
Pin 3 to 4
K103 reset states: Pin 8 to 9
Pin 3 to 2

Table 4-13 through Table 4-17 can be used to trace the analog signal through the A/D multiplexer (U163) to the final amplifier stage. These tables show the MUX lines (S3, S4, S6, S7) that are selected for measurement during the SIGNAL phase of the multiplexing cycle. Also included are switching states of analog switches (U129) that set up the gain for the final amplifier stage (U166).

Table 4-13
DCV signal multiplexing and gain

Range	Signal (U163)	U129 pin 1	U129 pin 8	U129 pin 9	Gain (U166)
100mV	S4	OFF	OFF	ON	×100
1V	S4	OFF	ON	OFF	×10
10V	S4	ON	OFF	OFF	×1
100V	S4	OFF	ON	OFF	×10
1000V	S4	ON	OFF	OFF	×1

Table 4-14
ACV and ACA signal multiplexing and gain

Range	Signal (U163)	U129 pin 1	U129 pin 8	U129 pin 9	Gain (U166)
All	S3	ON	OFF	OFF	×1

Table 4-15
DCA signal multiplexing and gain

Range	Signal (U163)	U129 pin 1	U129 pin 8	U129 pin 9	Gain (U166)
20mA	S6	OFF	OFF	ON	×100
100mA	S6	OFF	OFF	ON	×100
1A	S6	OFF	OFF	ON	×100
3A	S6	OFF	ON	OFF	×10

Table 4-16
Ω2 signal multiplexing and gain

Range	Signal (U163)	U129 pin 1	U129 pin 8	U129 pin 9	Gain (U166)
100Ω	S4	OFF	OFF	ON	×100
1kΩ	S4	OFF	ON	OFF	×10
10kΩ	S4	OFF	ON	OFF	×10
100kΩ	S4	OFF	ON	OFF	×10
1MΩ	S4	ON	OFF	OFF	×1
10MΩ	S4	ON	OFF	OFF	×1
100MΩ	S4	ON	OFF	OFF	×1

Table 4-17
Ω4 signal multiplexing and gain

Range	Signal (U163)	U129 pin 1	U129 pin 8	U129 pin 9	Gain (U166)
100Ω	S4 then S7	OFF	OFF	ON	×100
1kΩ	S4 then S7	OFF	ON	OFF	×10
10kΩ	S4 then S7	OFF	ON	OFF	×10
100kΩ	S4 then S7	OFF	ON	OFF	×10
1MΩ	S4 then S7	ON	OFF	OFF	×1
10MΩ	S4 then S7	ON	OFF	OFF	×1
100MΩ	S4 then S7	ON	OFF	OFF	×1

Figure 4-3 provides a block diagram of the analog circuitry. Table 4-18 shows where the various switching devices are located in the block diagram.

Table 4-18
Switching device locations

Switching devices	Analog circuit section (see Figure 4-3)
Q101, Q102	SSP (Solid State Protection)
Q114, Q136, Q109	DCV Divider
K101, Q113, Q105, Q104, Q108	DCV and Ohms Switching
Q121	Sense LO
K102, U103, U105, U111	AC switching and Gain
U133, Q119, Q123, Q124, Q125, Q126	Ohms I-Source
K103	Current Shunts
U129, U163	A/D Mux and Gain

5 Disassembly

Introduction

This section explains how to handle, clean, and disassemble the Model 2701 Ethernet Multimeter/Data Acquisition System. Disassembly drawings are located at the end of this section.

Handling and cleaning

To avoid contaminating PC board traces with body oil or other foreign matter, avoid touching the PC board traces while you are repairing the instrument. Some circuit board areas, especially those under the motherboard shield, have high-impedance devices or sensitive circuitry where contamination could cause degraded performance.

Handling PC boards

Observe the following precautions when handling PC boards:

- Wear cotton gloves.
- Only handle PC boards by the edges and shields.
- Do not touch any board traces or components not associated with repair.
- Do not touch areas adjacent to electrical contacts.
- Use dry nitrogen gas to clean dust off PC boards.

Solder repairs

Observe the following precautions when soldering a circuit board:

- Use an OA-based (organic activated) flux and take care not to spread the flux to other areas of the circuit board.
- Remove the flux from the work area when you have finished the repair by using pure water with clean, foam-tipped swabs or a clean, soft brush.
- Once you have removed the flux, swab only the repair area with methanol, then blow dry the board with dry nitrogen gas.
- After cleaning, allow the board to dry in a 50°C, low-humidity environment for several hours.

Static sensitive devices

CMOS devices operate at very high impedance levels. Therefore, any static that builds up on you or your clothing may be sufficient to destroy these devices if they are not handled properly. Use the following precautions to avoid damaging them:

CAUTION Many CMOS devices are installed in the Model 2701. Handle all semiconductor devices as being static sensitive.

- Transport and handle ICs only in containers specially designed to prevent static build-up. Typically, you will receive these parts in anti-static containers made of plastic or foam. Keep these devices in their original containers until ready for installation.
- Remove the devices from their protective containers only at a properly grounded work station. Also, ground yourself with a suitable wrist strap.
- Handle the devices only by the body; do not touch the pins.
- Ground any printed circuit board into which a semiconductor device is to be inserted to the bench or table.
- Use only anti-static type desoldering tools.
- Use only grounded-tip soldering irons.
- Once the device is installed in the PC board, it is normally adequately protected, and you can handle the boards normally.

Assembly drawings

Use the following assembly drawings to assist you as you disassemble and reassemble the Model 2701. Also, refer to these drawings for information about the Keithley part numbers of most mechanical parts in the unit. The drawings are located at the end of this section.

- Front Panel Assembly — 2701-040
- Card Cage/Power Module Assembly — 2701-050
- Power Module/Transformer/Chassis Assembly — 2701-051
- Front Panel/Card Cage/Chassis Assembly — 2701-052
- Chassis Assembly — 2701-053, 2701-054
- Final Inspection — 2701-080

Disassembly procedures

Case cover removal

Follow the steps below to remove the case cover to gain access to internal parts.

WARNING Before removing the case cover, disconnect the line cord and any test leads from the instrument.

1. Remove Handle — The handle serves as an adjustable tilt-bail. Adjust its position by gently pulling it away from the sides of the instrument case and swinging it up or down. To remove the handle, swing the handle below the bottom surface of the case and back until the orientation arrows on the handles line up with the orientation arrows on the mounting ears. With the arrows lined up, pull the ends of the handle away from the case.
2. Remove Mounting Ears — Remove the screw that secures each mounting ear. Pull down and out on each mounting ear.

NOTE When re-installing the mounting ears, make sure to mount the right ear to the right side of the chassis and the left ear to the left side of the chassis. Each ear is marked “RIGHT” or “LEFT” on its inside surface.

3. Remove Rear Bezel — To remove the rear bezel, loosen the two captive screws that secure the rear bezel to the chassis. Pull the bezel away from the case.
4. Removing Bottom Screws — Remove the four bottom screws that secure the case to the chassis.
5. Remove Cover — To remove the case, grasp the front bezel of the instrument and carefully slide the chassis forward. Slide the chassis out of the metal case.

Motherboard removal

Perform the following steps to remove the motherboard. This procedure assumes that the case cover is already removed.

1. Remove the RS-232 and Digital I/O fasteners.
The RS-232 and Digital I/O connectors each have two nuts that secure the connectors to the rear panel. Remove these nuts.
2. Remove the front/rear inputs switch rod.
At the switch, place the edge of a flat-blade screwdriver in the notch on the pushrod. Gently twist the screwdriver while pulling the rod from the shaft.
3. Disconnect the front input terminals.
You must disconnect these input terminal connections:
 - INPUT HI and LO
 - SENSE HI and LO
 - AMPS

Remove all the connections except the front AMPS connection by pulling the wires off the pin connectors. To remove the front panel AMPS input wire (white), first remove the AMPS fuse holder, then use needle-nose pliers to grasp the AMPS wire near the fuse housing. Push the wire forward and down to snap the spring out of the fuse housing. Carefully pull the spring and contact tip out of the housing.

4. Unplug cables:
 - Unplug the display board ribbon cable from connector J1014.
 - Unplug the transformer cables from connectors J1002 and J6.
 - Unplug scanner slots ribbon cable from connector J1012.
 - Unplug analog backplane connections J1008 and J1010.
 - Unplug the battery cable from J1017.
 - Unplug the fan cable from J1018.
5. Remove the fastening screws that secure the motherboard to the chassis. One of these screws is located along the left side of the unit towards the middle and it also secures U144. One screw is located at the right center of the chassis near the front/rear switch, S101, and another screw is behind the AC shield. The final screw is near the rear panel next to J5.

During re-assembly, replace the board and start the RS-232 and Digital I/O connector nuts and the mounting screw. Tighten all the fasteners once they are all in place and the board is correctly aligned.
6. Remove the motherboard, which is held in place by edge guides on one side, by sliding it forward until the board edges clear the guides. Carefully pull the motherboard from the chassis.

Card cage removal

After the motherboard has been removed, the card cage that holds plug-in modules can be removed simply by removing the screws that attach the card cage to the case bottom and removing it.

Front panel disassembly

Use the following procedures to remove the display board and/or the pushbutton switch pad:

NOTE *You must first remove the case cover, the front/rear input switch, and the front input terminal wires as described earlier in this section.*

1. Unplug the display board ribbon cable from connector J1014.
2. Remove the front panel assembly.

This assembly has four retaining clips that snap onto the chassis over four pem nut studs. Two retaining clips are located on each side of the front panel. Pull the retaining clips outward and, at the same time, pull the front panel assembly forward until it separates from the chassis.

3. Using a thin-bladed screwdriver, pry the plastic PC board stop (located at the bottom of the display board) until the bar separates from the casing. Pull the display board from the front panel.
4. Remove the switch pad by pulling it from the front panel.

Removing power components

The following procedures to remove the power transformer, power module, and fan require that the case cover and motherboard be removed, as previously explained.

Power transformer removal

Perform the following steps to remove the power transformer:

1. Remove the motherboard.
2. Remove the two nuts that secure the transformer to the side of the chassis.
3. Pull the black ground wire off the threaded stud and remove the power transformer from the chassis.

Power module removal

Perform the following steps to remove the power module:

1. Remove the motherboard.
2. Remove the POWER switch rod.
3. Remove the card cage. (See [“Card cage removal” on page 5-5.](#))
4. Disconnect the power module’s ground wire. This green and yellow wire connects to a threaded stud on the chassis with a kep nut.
5. Squeeze the latches on either side of the power module while pushing the module from the access hole.

Fan removal

Perform the following steps to remove the fan:

1. Remove the motherboard.
2. Remove the four screws that secure the fan to the bottom of the chassis.
3. Remove the fan from the chassis.

Instrument reassembly

Reassemble the instrument by reversing the previous disassembly procedures. Make sure that all parts are properly seated and secured, and that all connections are properly made. To ensure proper operation, replace and securely fasten the shield.

WARNING To ensure continued protection against electrical shock, verify that power line ground (green and yellow wire attached to the power module) and the power transformer ground (black wire) are connected to the chassis. When installing the power transformer, be sure to reconnect the black ground wire to the mounting stud on side of the chassis. Be sure to install the bottom case screws to assure a good case-to-chassis ground connection.

Input terminal wire connections

During reassembly, use the information in [Table 5-1](#) to connect input terminal wires.

Table 5-1
Input terminal wire colors

Input terminal	Wire color
INPUT HI	Red
INPUT LO	Black
SENSE HI	Yellow
SENSE LO	Gray
AMPS	White

Power module wire connections

Use the information in [Table 5-2](#) and DETAIL B of drawing 2701-050 to connect power module wires.

Table 5-2
Power module wire colors

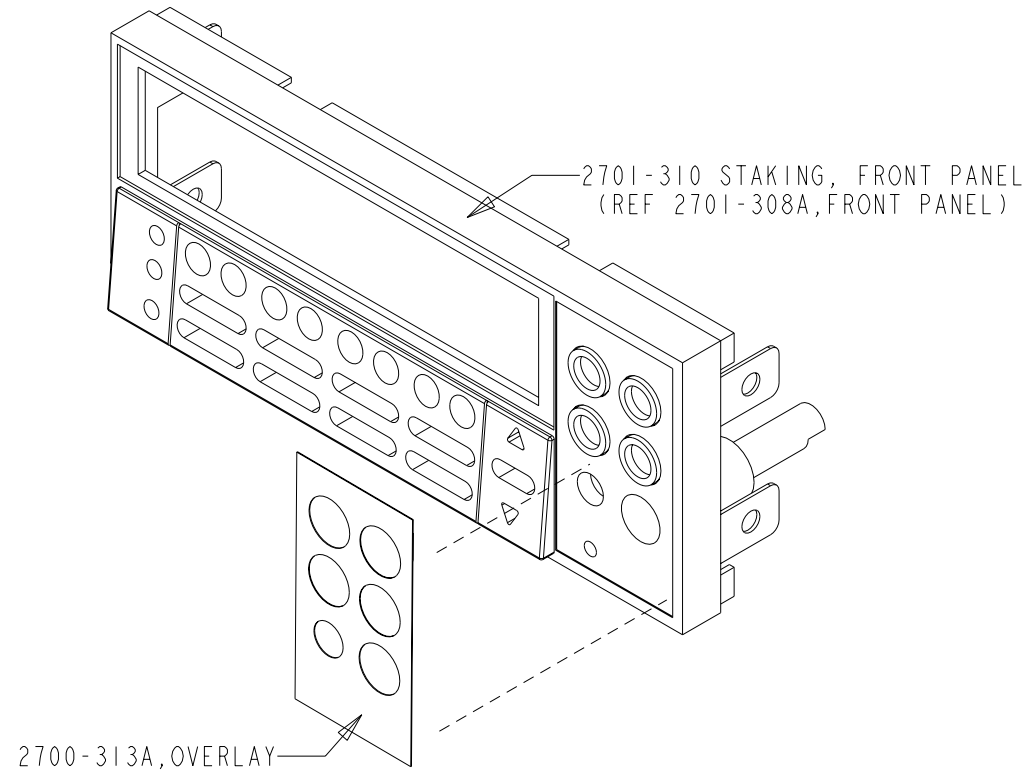
Location	Wire color
Right side	Gray
Right top	Violet
Left top	White
Right bottom	Red
Left bottom	Blue

2701-040

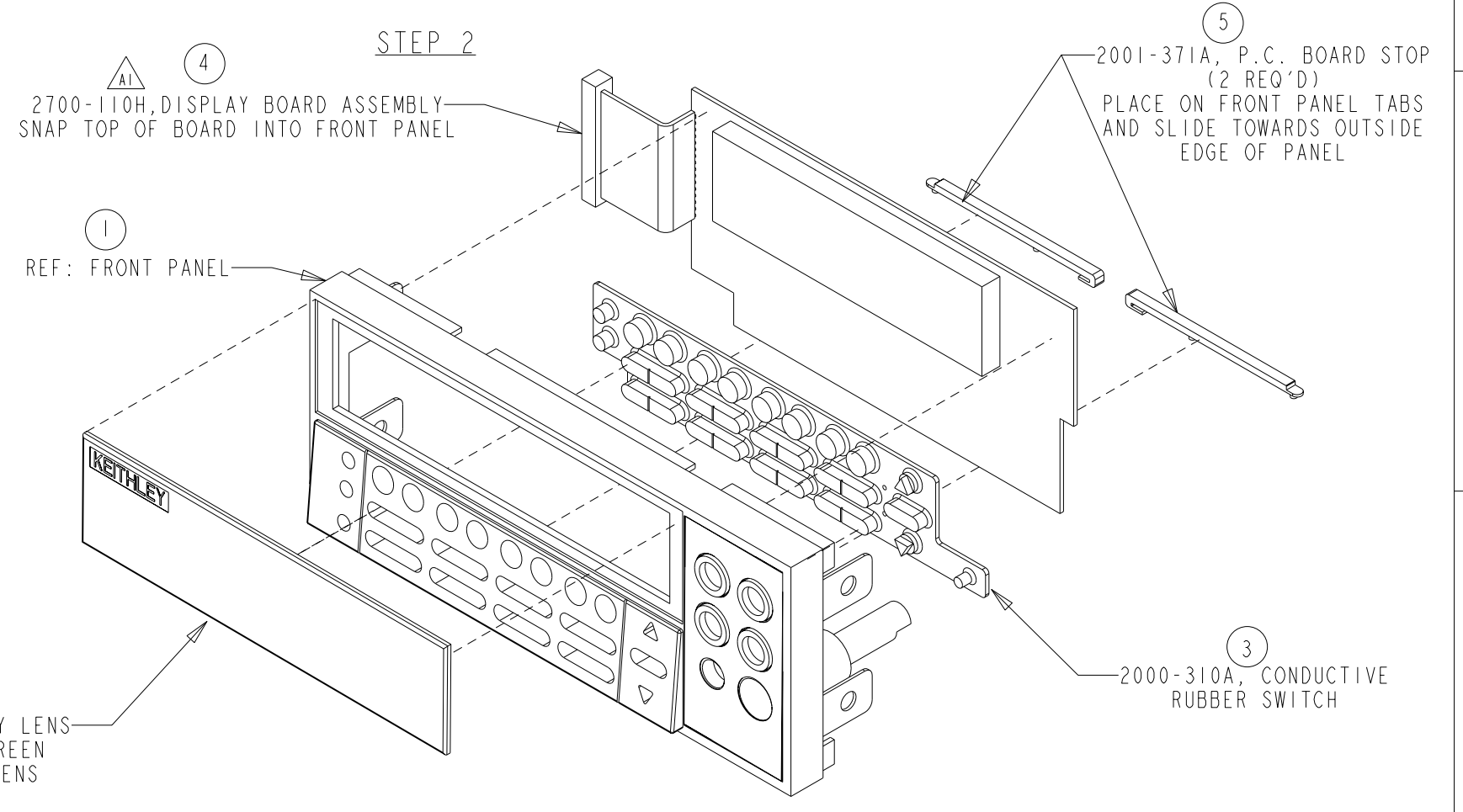
ON

LTR	ECA NO.	REVISION	ENG	DATE
A	27327	Released	ST	6/12/02
AI	27421	2700-110H Was 2700-110G1	ST	7/8/02

STEP 1



STEP 2



PART NUMBER	QTY	DESCRIPTION
2701-310	1	STAKING, FRONT PANEL (REF 2701-308A)
AI 2700-110H	1	DISPLAY BOARD ASSEMBLY
2700-313A	1	OVERLAY
2701-311A	1	DISPLAY LENS
2000-310A	1	CONDUCTIVE RUBBER SWITCH
2001-371A	2	P.C. BOARD STOP

MODEL	NEXT ASSEMBLY	NEXT PROCESS STEP	QTY
2701	2701-051	FP/Chassis Assembly	1
USED ON			

DO NOT SCALE THIS DRAWING

DIMENSIONAL TOLERANCES UNLESS OTHERWISE SPECIFIED

XX = ±.015 ANG. = ±1°
XXX = ±.005 FRAC. = ±1/64
SURFACE MAX. √

DATE 19-Dec-01 SCALE - - - - TITLE
DRN. *Mat* ENG APPR. *LS* Front Panel Assembly OP6

KEITHLEY Keithley Instruments Inc.
Cleveland, Ohio 44139

MATERIAL FINISH

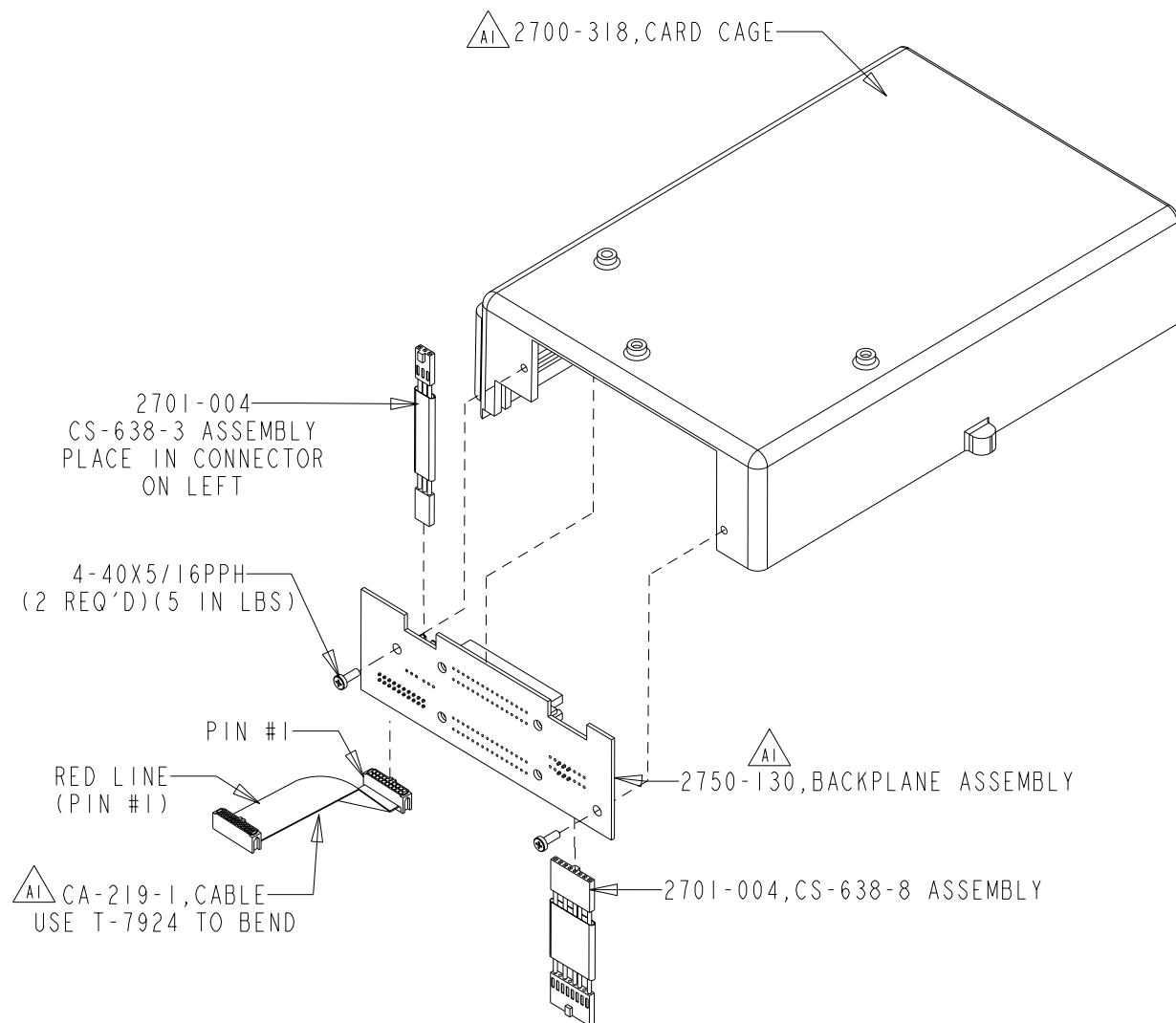
NO. 2701-040

050-1022

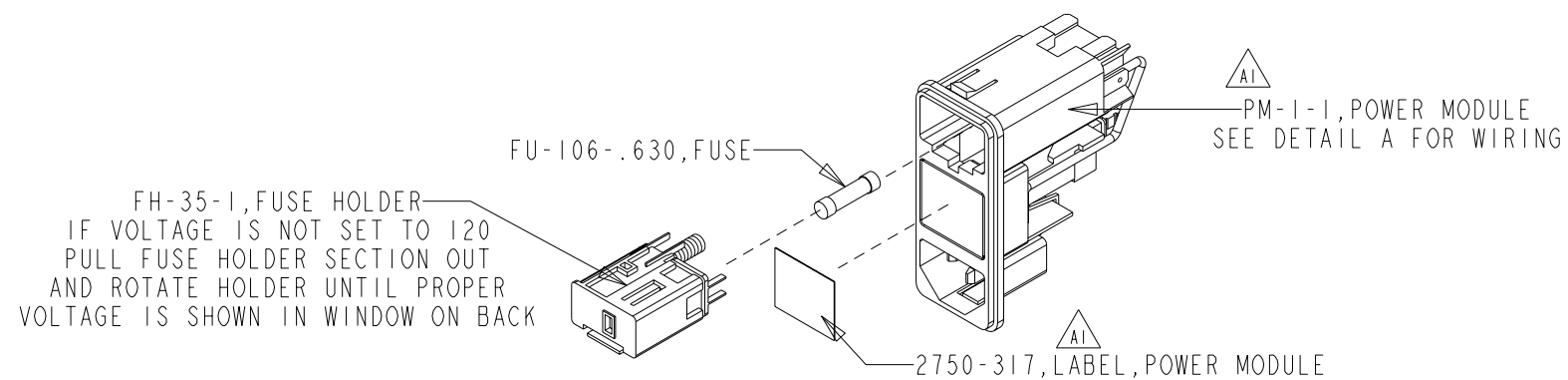
ON

LTR	ECA NO.	REVISION	ENG	DATE
A	27327	Released	ST	6/12/02
AI	28093	Del Rev's From Part Numbers	ST	1/21/03

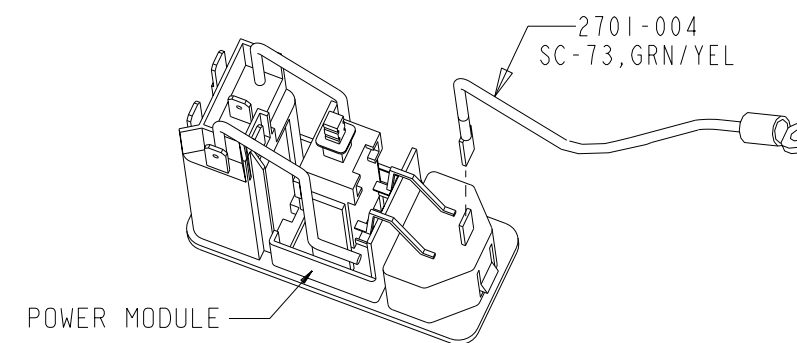
CARD CAGE ASSEMBLY



POWER MODULE ASSEMBLY



DETAIL A
TRANSFORMER WIRING



PART NUMBER	QTY	DESCRIPTION
2701-004	1	WIRE CRIMP ASSEMBLY
AI 2750-130	1	BACKPLANE BOARD ASSEMBLY
AI 2700-318	1	CARD CAGE
AI 2750-317	1	LABEL, POWER MODULE
AI CA-219-1	1	CABLE
FH-35-1	1	FUSE HOLDER
FU-106-.630	1	FUSE .630 AMP
AI PM-1-1	1	POWER MODULE
4-40x5/16PPH	2	PHIL PAN HEAD SCREW

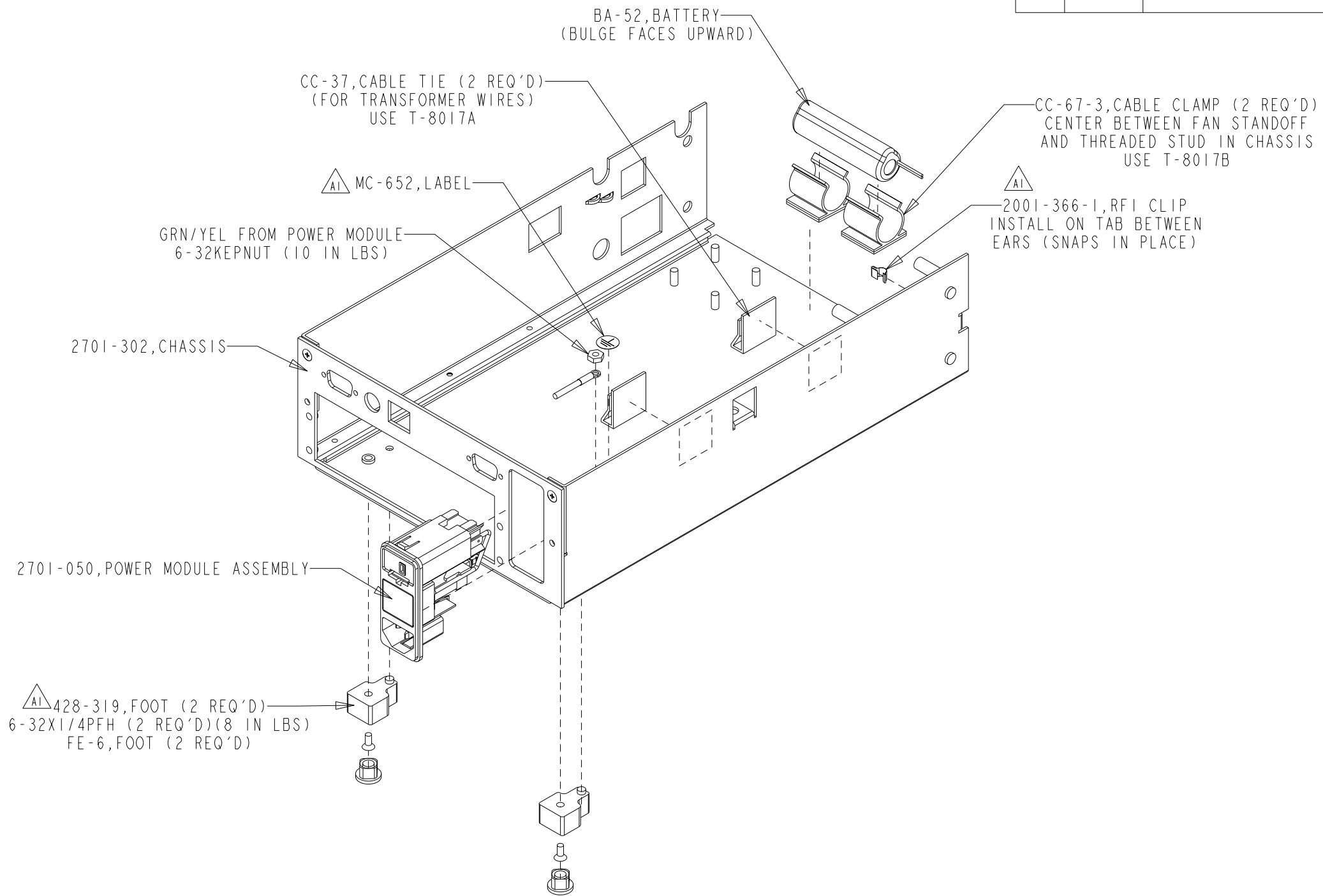
2701	2701-051	Power Module/Chassis Assembly	1
MODEL	NEXT ASSEMBLY	NEXT PROCESS STEP	QTY
USED ON			

DO NOT SCALE THIS DRAWING		DIMENSIONAL TOLERANCES UNLESS OTHERWISE SPECIFIED		DATE 19-Dec-01	SCALE - - - - -	TITLE	
Keithley Instruments Inc. Cleveland, Ohio 44139 CONFIDENTIAL PROPRIETARY		XX = ±.015	ANG. = ±°	DRN. <i>Mat</i>	ENG APPR. <i>LS</i>	PM/Card Cage Assembly	
		XXX = ±.005	FRAC. = ±1/64	MATERIAL		B	NO. 2701-050
SURFACE MAX. $\sqrt{63}$		FINISH					

190-1022


ON

LTR	ECA NO.	REVISION	ENG	DATE
A	27327	Released	ST	6/12/02
AI	27541	Del Rev's From Parts	ST	9/14/02



PART NUMBER	QTY	DESCRIPTION
AI 2001-366-1	1	RFI CLIP
2701-302 AI	1	CHASSIS
AI 428-319	2	FOOT
CC-37	2	CABLE CLAMP
FE-6	2	FOOT
2701-050	1	POWER MODULE ASSEMBLY
6-32x1/4PFH	2	PHIL FLAT HEAD SCREW
6-32KEPNUT	1	KEPNUT
BA-52	1	BATTERY
CC-67-3	2	CABLE CLAMP
AI MC-652	1	LABEL

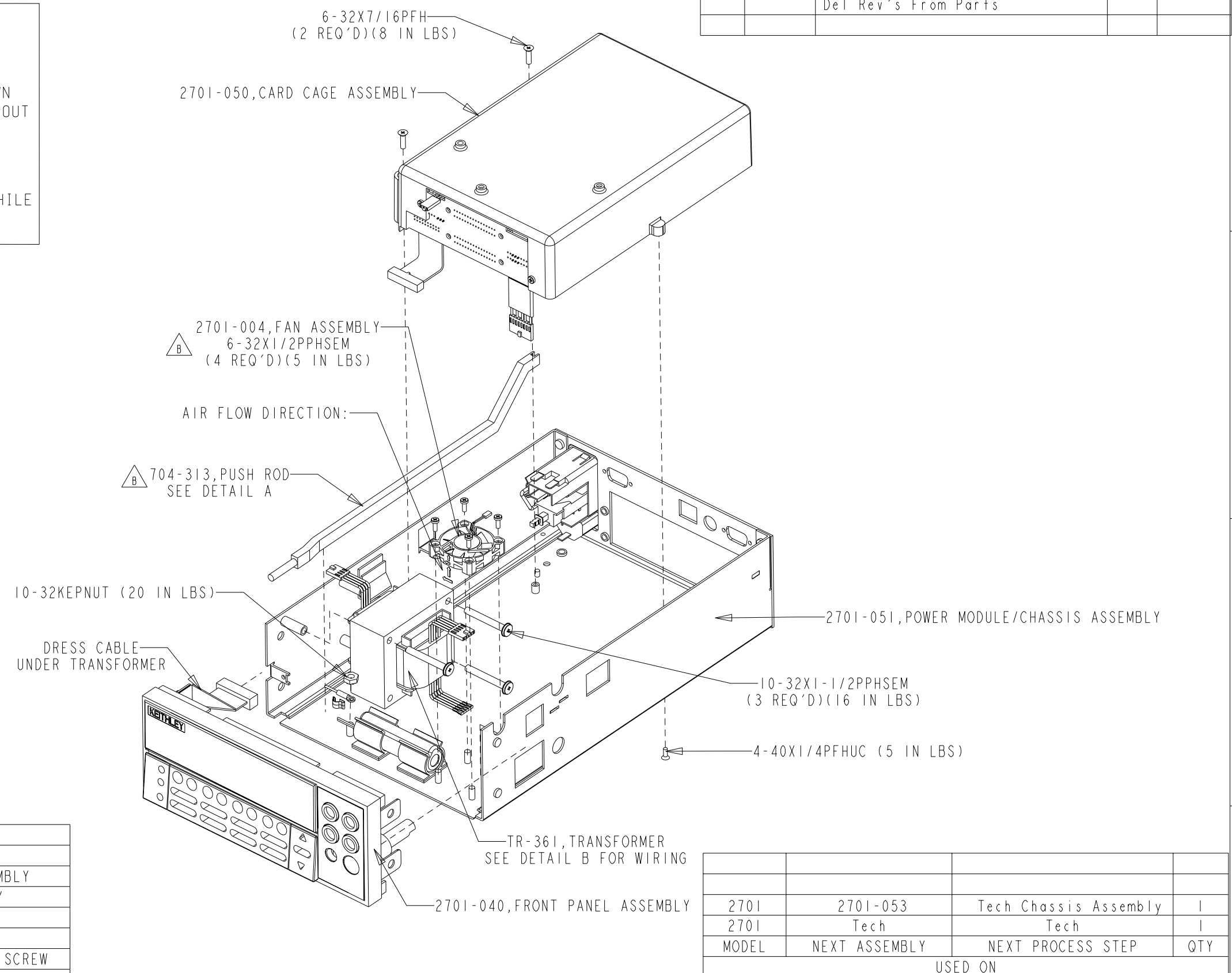
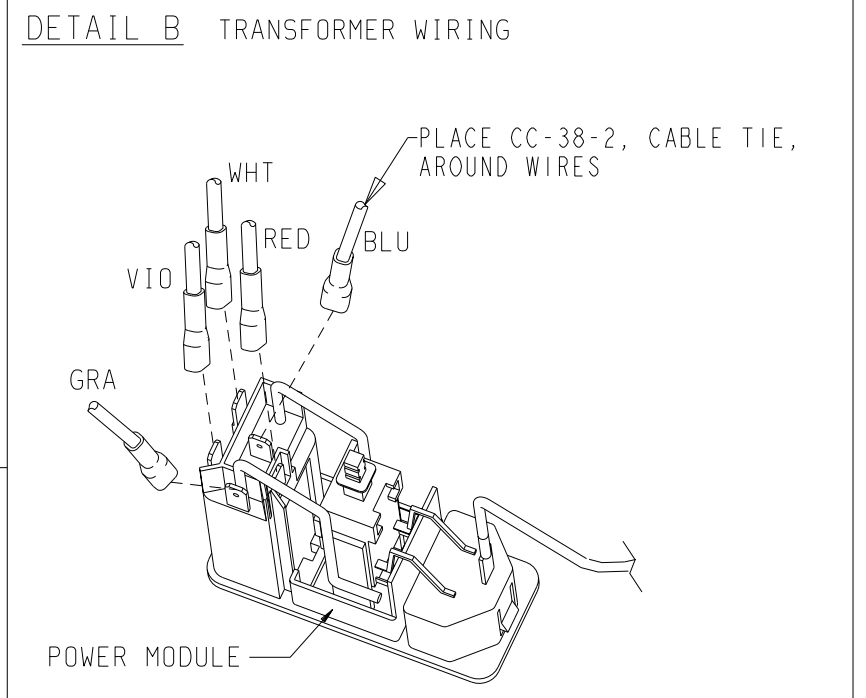
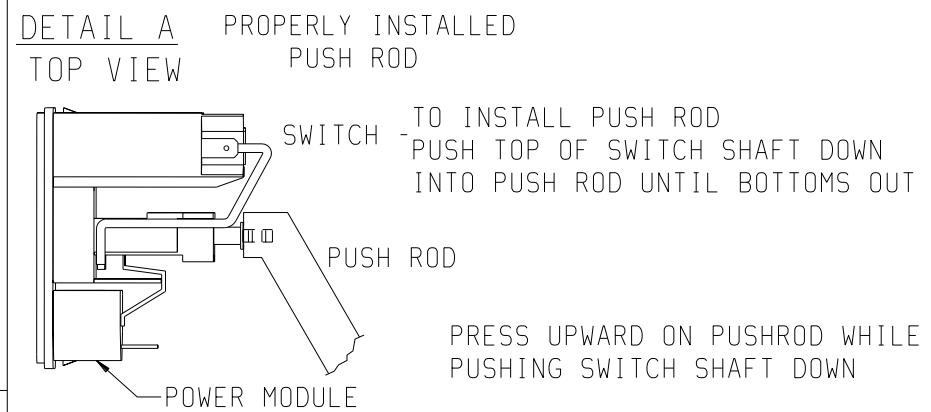
MODEL	NEXT ASSEMBLY	NEXT PROCESS STEP	QTY
2701	2701-052	FP/Chassis Assembly	1
USED ON			

DO NOT SCALE THIS DRAWING	DIMENSIONAL TOLERANCES UNLESS OTHERWISE SPECIFIED		DATE 20-Dec-01	SCALE - - - - -	TITLE
	XX = ±.015	ANG. = ±°	DRN. <i>Mat</i>	ENG APPR. <i>LS</i>	Power Mod/Chassis Ass'y
 Keithley Instruments Inc. Cleveland, Ohio 44139	XXX = ±.005	FRAC. = ±1/64	MATERIAL		<div style="border: 1px solid black; padding: 5px; display: inline-block;">B</div>
	SURFACE MAX. $\sqrt{63}$		FINISH		

2701-052

ON

LTR	ECA NO.	REVISION	ENG	DATE
B	27541	6-32X1/2PPHSEM Was 4-40X5/16PPH Del Rev's From Parts	ST	9/14/02



PART NUMBER	QTY	DESCRIPTION
2701-004	1	CRIMP ASSEMBLY
2701-051	1	POWER MOD/CHASSIS ASSEMBLY
2701-040	1	FRONT PANEL ASSEMBLY
CC-38-2	1	CABLE CLAMP
2701-050	1	CARD CAGE ASSEMBLY
4-40X1/4PFHUC	1	PHIL FLAT HEAD UNDER CUT SCREW
6-32X7/16PFH	2	PHIL FLAT HEAD SCREW
TR-361	1	TRANSFORMER
10-32X1-1/2PPHSEM	3	PHIL PAN HEAD SEMS SCREW
6-32X1/2PPHSEM	4	PHIL PAN HEAD SEM SCREW
704-313A	1	PUSH ROD
10-32KEPNUT	1	KEPNUT

DO NOT SCALE THIS DRAWING

DIMENSIONAL TOLERANCES UNLESS OTHERWISE SPECIFIED
 XX = ±.015 ANG. = ±1'
 XXX = ±.005 FRAC. = ±1/64
 SURFACE MAX. √

DATE 02-Jan-02 SCALE - - - - - TITLE Front Panel/Card Cage Chassis Assembly

DRN. *Mat* ENG APPR. *LS*

MATERIAL FINISH

2701 2701-053 Tech Chassis Assembly 1
 2701 Tech Tech 1
 MODEL NEXT ASSEMBLY NEXT PROCESS STEP QTY

USED ON

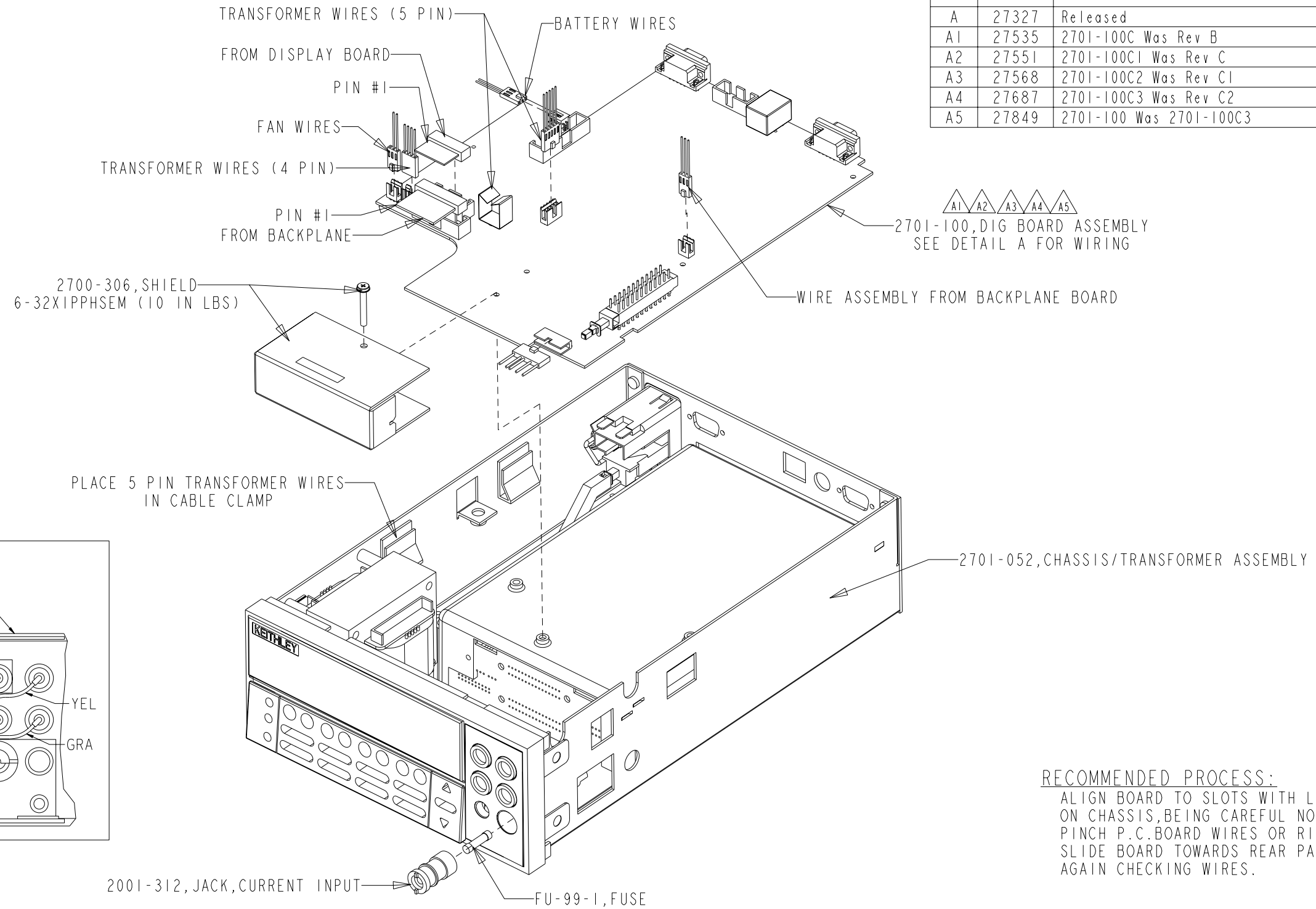
NO. 2701-052

KEITHLEY Keithley Instruments Inc. Cleveland, Ohio 44139

2701-053

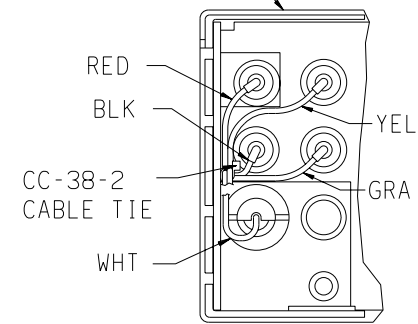
ON

LTR	ECA NO.	REVISION	ENG	DATE
A	27327	Released	ST	6/12/02
A1	27535	2701-100C Was Rev B	ST	9/10/02
A2	27551	2701-100C1 Was Rev C	ST	9/21/02
A3	27568	2701-100C2 Was Rev C1	ST	10/21/02
A4	27687	2701-100C3 Was Rev C2	ST	11/5/02
A5	27849	2701-100 Was 2701-100C3	ST	1/2/03



DETAIL A BJ WIRING (FRONT PANEL)

REF: FRONT PANEL



RECOMMENDED PROCESS:

ALIGN BOARD TO SLOTS WITH LANCES ON CHASSIS, BEING CAREFUL NOT TO PINCH P.C. BOARD WIRES OR RIBBON CABLE. SLIDE BOARD TOWARDS REAR PANEL, AGAIN CHECKING WIRES.

PART NUMBER	QTY	DESCRIPTION
2701-052	1	FP/CARD CAGE ASSEMBLY
$\Delta A4 \Delta A5$ 2701-100	1	DIG BOARD ASSEMBLY $\Delta A1 \Delta A2 \Delta A3$
2700-306	1	SHIELD
2001-312	1	JACK, CURRENT INPUT
FU-99-1	1	FUSE, 3 AMP
6-32X1PPHSEM	1	PHIL PAN HEAD SEMS SCREW
CC-38-2	1	CABLE TIE

DO NOT SCALE THIS DRAWING

KEITHLEY Keithley Instruments Inc.
Cleveland, Ohio 44139

CONFIDENTIAL PROPRIETARY

DIMENSIONAL TOLERANCES UNLESS OTHERWISE SPECIFIED

XX = $\pm .015$ ANG. = $\pm 1^\circ$

XXX = $\pm .005$ FRAC. = $\pm 1/64$

SURFACE MAX. $\sqrt{6.3}$

DATE 05-Jan-02

SCALE - - - - -

DRN. *Mat* ENG APPR. *LS*

MATERIAL

FINISH

TITLE

Tech Chassis Assembly

NO. 2701-053

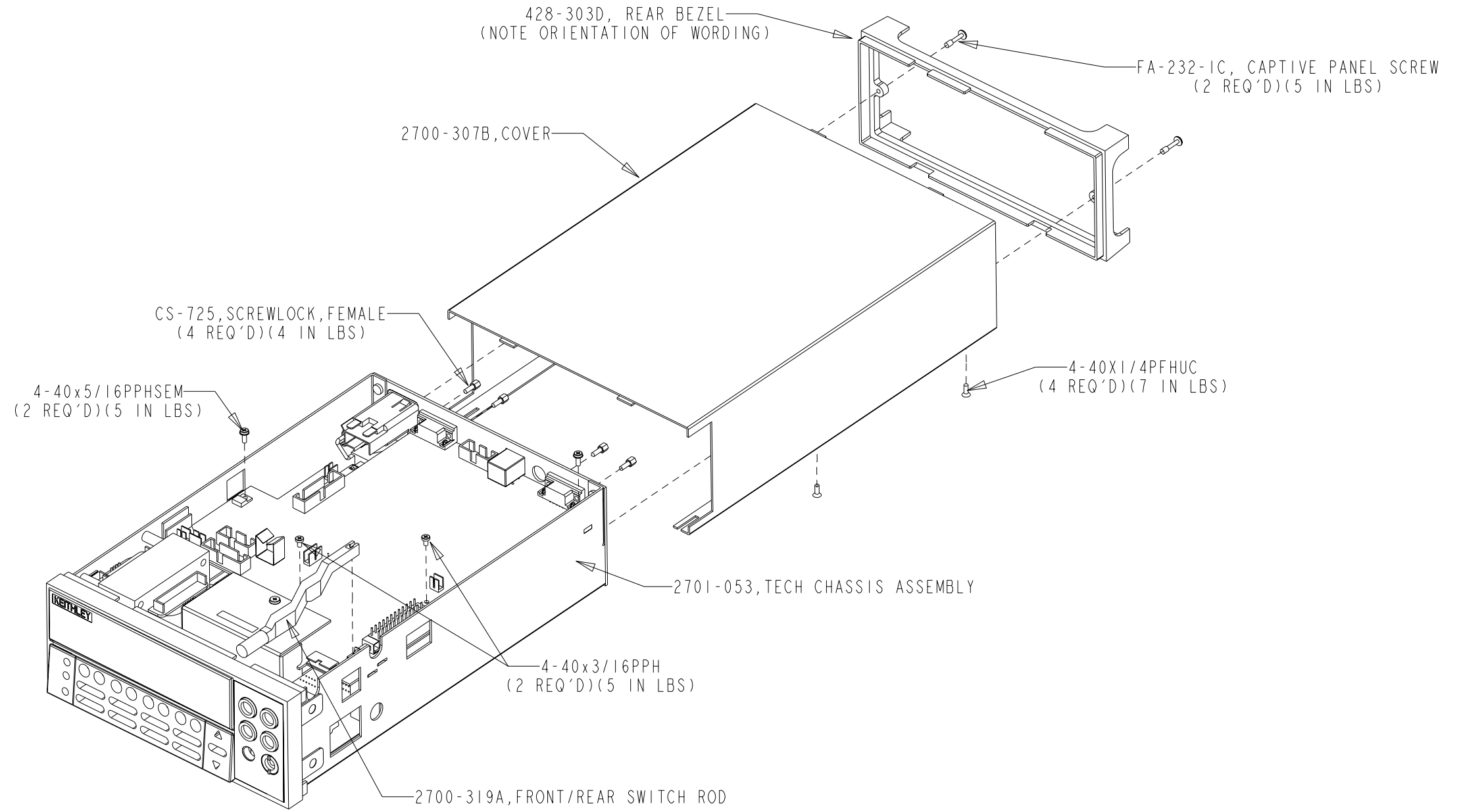
2701	2701-054	Chassis Assembly	1
MODEL	NEXT ASSEMBLY	NEXT PROCESS STEP	QTY
USED ON			

2701-054

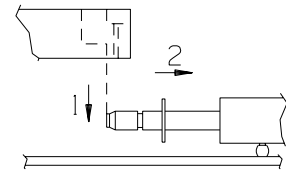
ON

LTR	ECA NO.	REVISION	ENG	DATE
A	27327	Released	ST	6/12/02

BEFORE INSTALLING COVER, REMOVE PAPER FROM TOP OF BEEPER ON BOARD AND CHECK ALL WIRE CONNECTIONS. THEN POWER UP UNIT TO LOOK AT FAN TO SEE IF OPERATIONAL



DETAIL A SW ROD ASS'Y
SEE RECOMMENDED PROCESS



RECOMMENDED PROCESS
DEPRESS SWITCH ON DIGITAL BOARD.
SEE DETAIL A
1) ALIGN OPENING IN BOTTOM OF ROD OVER SWITCH SHAFT AND EASE ROD DOWN.
2) PUSH ROD COMPLETELY ONTO SWITCH SHAFT.
WIRE SHOULD NOT BE WRAPPED AROUND PUSH ROD

PART NUMBER	QTY	DESCRIPTION
2701-053	1	TECH CHASSIS ASSEMBLY
2700-307B	1	COVER
4-40x1/4PFHUC	4	PHIL FLAT HEAD UNDERCUT SCREW
428-303D	1	REAR BEZEL
FA-232-1C	2	CAPTIVE PANEL SCREW
CS-725	4	SCREWLOCK, FEMALE
4-40x3/16PPH	2	PHIL PAN HEAD SCREW
4-40x5/16PPHSEM	2	PHIL PAN HEAD SEMS SCREW
2700-319A	1	FRONT/REAR SWITCH ROD

2701	2701-055	Final Chassis Assembly	1
2701	Tech	Tech	1
MODEL	NEXT ASSEMBLY	NEXT PROCESS STEP	QTY
USED ON			

DO NOT SCALE THIS DRAWING		DIMENSIONAL TOLERANCES UNLESS OTHERWISE SPECIFIED		DATE 05-Jan-02	SCALE - - - - -	TITLE	
Keithley Instruments Inc. Cleveland, Ohio 44139		XX = ±.015	ANG. = ±°	DRN. <i>Mat</i>	ENG APPR. <i>LS</i>	Chassis Assembly OP6	
		XXX = ±.005	FRAC. = ±1/64	MATERIAL		B	NO. 2701-054
		SURFACE MAX. $\sqrt{63}$		FINISH			

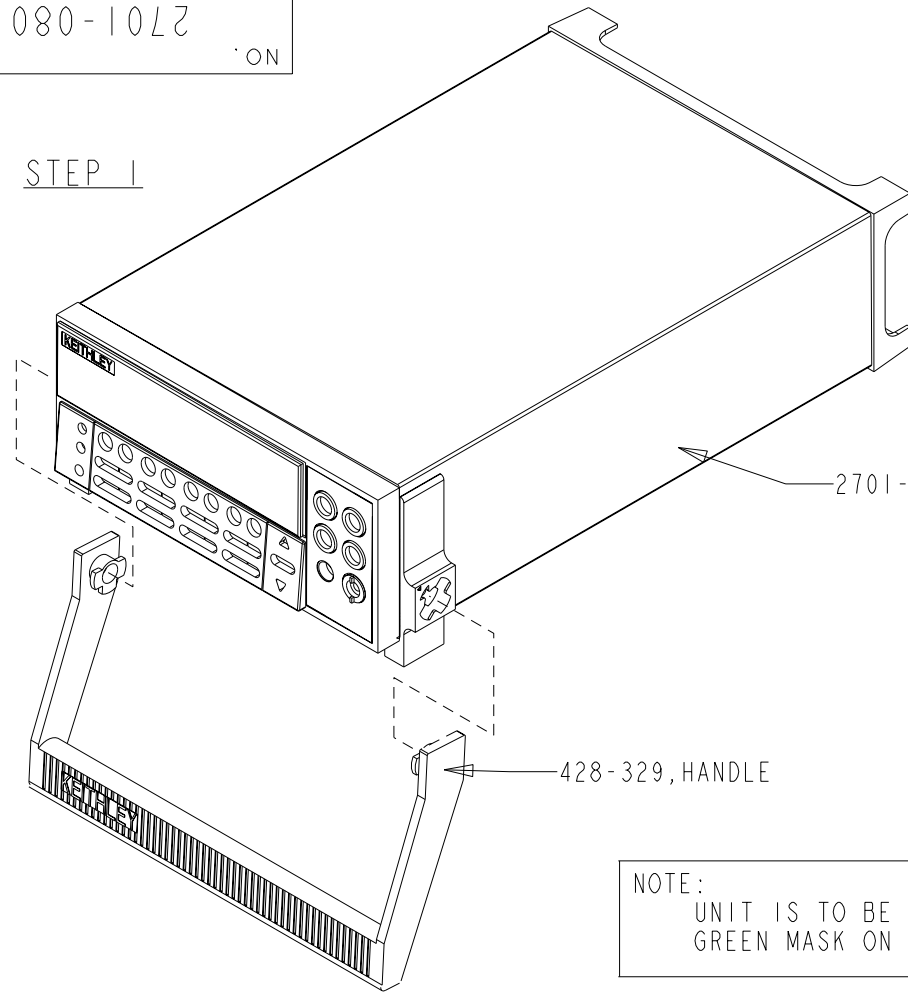
080-10LZ

ON

LTR	ECA NO.	REVISION	ENG	DATE
B	27559	DEL PA-805; ADD 2701-904-00	ST	9/4/02

RECOMMENDED PROCEDURE
BEEPER INTENSITY TEST:
 1) TURN UNIT ON. LISTEN FOR BEEP.
 2) VERIFY READINGS ARE:
 LOADING FPGA
 LOAD ETHRNET
 LOADING MAIN
 DISPLAYS ALL SEGMENTS
 ETHRNET
 XXX.XXX.XXX.XXX
 1:NONE 2:NONE
 XXX XXXX

STEP 1



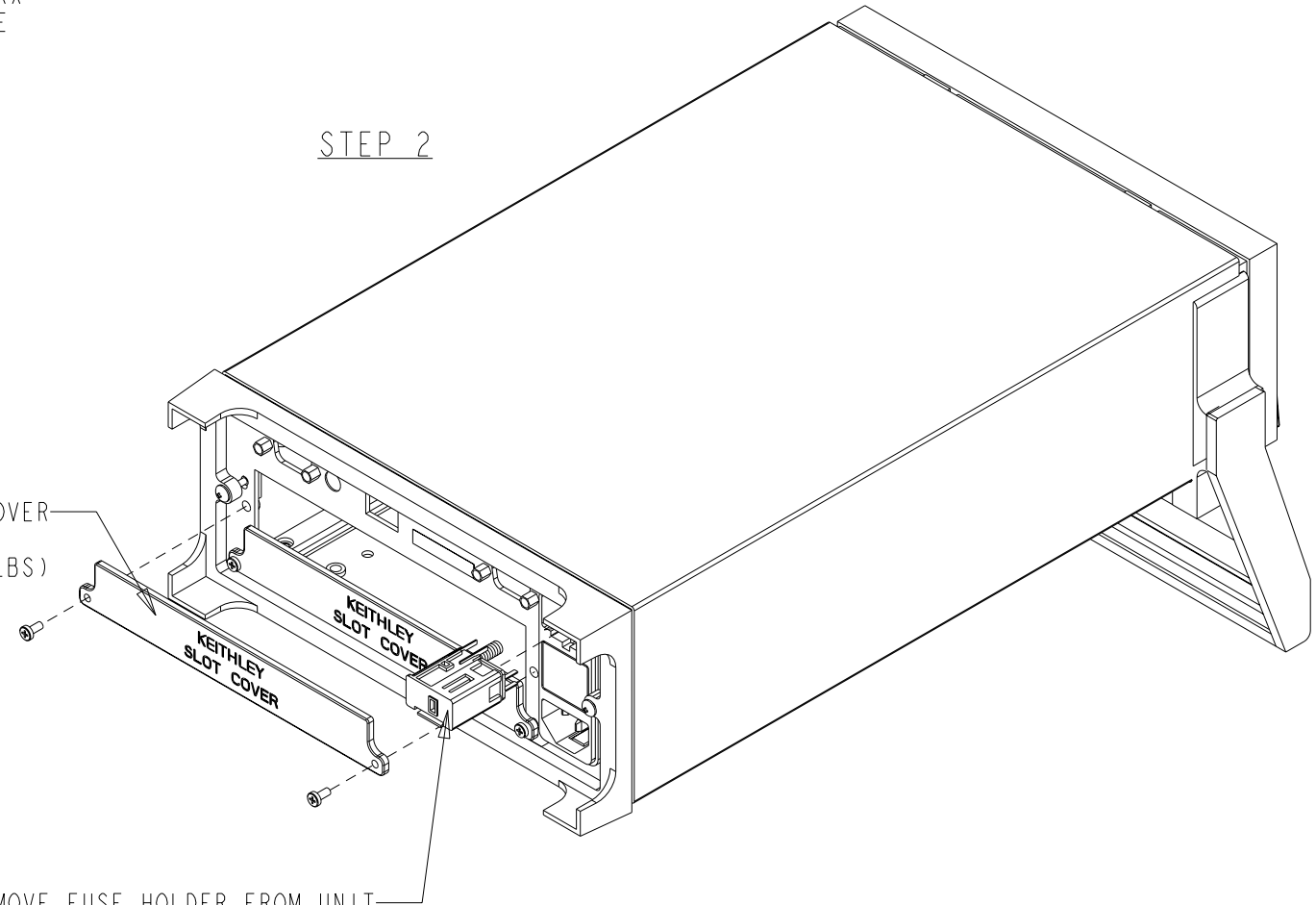
NOTE:
 UNIT IS TO BE SHIPPED WITH
 GREEN MASK ON THE LENS

PLACE CERTIFICATE OF CALIBRATION ON TOP OF UNIT, THEN PLACE INTO PO-14-4,
 CHIPLOC BAG AND SEND WITH W.O. SHIPPING KIT ITEMS TO AUDIT

CALL STOCKROOM FOR WORK ORDER
 SHIPPING KIT BEFORE SENDING TO AUDIT

STEP 2

2750-321, SLOT COVER
 4-40X1/4PPH
 (2 REQ'D)(5 IN LBS)



REMOVE FUSE HOLDER FROM UNIT
 PULL FUSE BLOCK SECTION OUT
 AND ROTATE UNTIL PROPER
 VOLTAGES WILL BE SHOWN IN WINDOW

VOLTAGE	FUSE
JAPAN 100V	EXISTING FUSE
DOMESTIC 120V	
EUROPE 220V	FU-106-.315
----- 240V	

PERFORM HIPOT TEST
 PER MS-1537 TO IEC
 VOLTAGE SPEC

PART NUMBER	QTY	DESCRIPTION
2701-055	1	CHASSIS ASSEMBLY
PO-14-4	1	CHIPLOC BAG
CA-180-3	1	CABLE - W.O. SHIPPING KIT
DMM-950-00*	1	CD MANUAL PACKAGE - W.O. SHIPPING KIT
PA-804	1	PACKING LIST - W.O. SHIPPING KIT
PA-854	1	PACKING LIST - W.O. SHIPPING KIT
CO-7	1	LINE CORD - W.O. SHIPPING KIT
CA-22	1	TEST LEADS - W.O. SHIPPING KIT
-----	1	CERT. OF CAL - (PA-214 PRINTED IN PROD)
4-40X1/4PPH	2	PHIL PAN HEAD SCREW
2750-321	1	SLOT COVER
428-329	1	HANDLE
\triangle 2701-904-00*	1	MANUAL PACKAGE - W.O. SHIPPING KIT
2700-851	1	SOFTWARE - W.O. SHIPPING KIT
FOR EUROPE		
FU-106-.315	1	FUSE
CO-26	1	LINE CORD
FOR JAPAN		
CO-35	1	LINE CORD

2701	Audit	Audit	1
MODEL	NEXT ASSEMBLY	NEXT PROCESS STEP	QTY
USED ON			

DO NOT SCALE THIS DRAWING		DIMENSIONAL TOLERANCES UNLESS OTHERWISE SPECIFIED		DATE 09-Jan-02	SCALE - - - - -	TITLE	
XX = ±.015		ANG. = ± ρ		DRN. <i>Mat</i>	ENG APPR. <i>LS</i>	Final Inspection	
XXX = ±.005		FRAC. = ±1/64		MATERIAL		B	NO. 2701-080
SURFACE MAX. $\sqrt{3}$		FINISH					

KEITHLEY Keithley Instruments Inc.
 Cleveland, Ohio 44139

6

Replaceable Parts

Introduction

This section contains replacement parts information and component layout drawings for the Model 2701 and Model 7700.

Parts lists

Both electrical and mechanical parts for the Model 2701 are listed in [Table 6-1](#) through [Table 6-4](#) on the following pages. Parts for the Model 7700 plug-in module are listed in [Table 6-5](#). For additional information on mechanical parts, see the assembly drawings provided at the end of Section 5.

Ordering information

To place an order or to obtain information concerning replacement parts, contact your Keithley representative or the factory (see inside front cover for addresses). When ordering parts, be sure to include the following information:

- Instrument model number (Model 2701)
- Instrument serial number
- Part description
- Component designation (if applicable)
- Keithley part number

Factory service

If the instrument is to be returned to Keithley Instruments for repair, perform the following:

- Call the Repair Department at 1-888-KEITHLEY for a Return Material Authorization (RMA) number.
- Complete the service form at the back of this manual and include it with the instrument.
- Carefully pack the instrument in its original packing carton.
- Write ATTENTION REPAIR DEPARTMENT and the RMA number on the shipping label.

Component layouts

Component layouts for the various circuit boards are provided on the following pages.

Table 6-1
Model 2701 motherboard parts list

Circuit designation	Description	Keithley part no.
C1,C3,C6,C8,C10,C11,C13,C14,C16-C25,C27	CAP, .1UF, 20%, 50V, CERAMIC	C-418-.1
C102	CAP, .01UF, 10%, 1000V, CERAMIC	C-64-.01
C103,C111,C191,C196,C256,C257,C263,C269	CAP, .1UF, 20%, 50V, CERAMIC	C-418-.1
C104	CAP, 100UF, 20%, 63V, ALUM ELEC	C-403-100
C105	CAP, .22UF, 20%, 400V, FILM	C-513-.22
C106	CAP, 15P, 1%, 100V, CERAMIC	C-512-15P
C108	CAP, .1UF, 20%, 100V, CERAMIC	C-436-.1
C109	CAP, 2.2UF, 20%, 63V, POLYCARB	C-480-2.2
C110,C226,C254	CAP, 47P, 5%, 100V, CERAMIC	C-465-47P
C112,C248	CAP, .01, 5%, 50V, NPO	C-514-.01
C113,C114,C119,C126	CAP, 1000P, 10%, 100V, CERAMIC	C-451-1000P
C115	CAP, .33UF, 20%, 63V, POLYCARBONATE	C-482-.33
C120,C186,C188	CAP, 270PF, 5%, 100V, CERAMIC	C-465-270P
C121,C134,C140,C181,C251,C265	CAP, 47PF, 10%, 100V, CERAMIC	C-451-47P
C123,C245	CAP, 1000P, 10%, 100V, CERAMIC	C-451-1000P
C127-C130,C133,C135,C136,C138,C139,C142	CAP, .1UF, 20%, 50V, CERAMIC	C-418-.1
C131,C148	CAP, 1000U, 20%, 35V, ALUM ELEC	C-595-1000
C132	CAP, 220PF, 10%, 100V, CERAMIC	C-451-220P
C137	CAP, 33PF, 5%, 100V, CERAMIC	C-465-33P
C141,C158,C176,C195,C219,C220,C222,C261	CAP, 47P, 5%, 100V, CERAMIC	C-465-47P
C143,C144,C151,C159,C160,C258,C260	CAP, .1UF, 20%, 50V, CERAMIC	C-418-.1
C145,C240	CAP, 1000pF, 20%, 50V, CERAMIC	C-418-1000P
C146	CAP, 1000UF, ±20%, 16V, ALUMINUM	C-488-1000
C147,C149,C152-C155,C161-C170,C172-C174	CAP, .1UF, 20%, 50V, CERAMIC	C-418-.1
C150,C218,C285,C286,C288,C289,C39, C412	CAP, 47PF, 10%, 100V, CERAMIC	C-451-47P
C156,C273,C274,C281	CAP, 3300U, 20%, 16V, ALUM ELEC	C-592-3300
C157	CAP, 100PF, 5%, 100V, CERAMIC	C-465-100P
C171,C177	CAP, 2200P, 10%, 100V, CERAMIC	C-430-2200P
C175,C209	CAP, 22U, 20%, 25V, TANTALUM	C-535-22
C178,C180,C182-C185,C187,C194	CAP, .1UF, 20%, 50V, CERAMIC	C-418-.1
C179,C266	CAP, 100PF, 5%, 100V, CERAMIC	C-465-100P
C190,C247,C259,C264	CAP, .01uF, 20%, 50V, CERAMIC	C-418-.01
C197-C199,C201-C204,C206,C210,C213,C216	CAP, .1UF, 20%, 50V, CERAMIC	C-418-.1
C2,C4,C45,C72,C87,C90,C217,C229,C235	CAP, 10U, 20%, 16V, TANTALUM	C-546-10
C207	CAP, 4700PF, 20%, 50V, CERAMIC	C-418-4700P
C214	CAP, 1UF, 20%, 50V, CERAMIC	C-519-1
C221,C223-C225,C227,C232-C234,C237,C250	CAP, .1UF, 20%, 50V, CERAMIC	C-418-.1
C230	CAP, .15UF, 20%, 50V, CERAMIC	C-418-.15
C238	CAP, 10U, 20%, 16V, TANTALUM	C-546-10

Table 6-1 (Continued)
 Model 2701 motherboard parts list

Circuit designation	Description	Keithley part no.
C244,C267,C282	CAP, 1000pF, 20%, 50V, CERAMIC	C-418-1000P
C252,C253	CAP, 22PF, 10%, 100V, CERAMIC	C-451-22P
C255	CAP, 100UF, 20%, 100V	C-573-100
C262,C268,C468	CAP, 47P, 5%, 100V, CERAMIC	C-465-47P
C283,C284,C5,C192,C200,C242,C243	CAP, .01uF, 20%, 50V, CERAMIC	C-418-.01
C293,C294	CAP, 47UF, ±20%, 25V, ALUM ELEC	C-314-47
C30-C33,C35-C38,C41,C42,C47-C54,C56-C58	CAP, .1UF, 20%, 50V, CERAMIC	C-418-.1
C40	CAP, .1UF, 20%, 50V, CERAMIC	C-418-.1
C413,C46	CAP, 47PF, 10%, 100V, CERAMIC	C-451-47P
C414,C193,C228,C231,C236,C239,C241	CAP, .01uF, 20%, 50V, CERAMIC	C-418-.01
C43,C44	CAP, .33F, 30%, 5.5V, GOLD CAPACITOR	C-625-.33F
C60,C62,C64,C65,C67,C77-C86,C88,C89	CAP, .1UF, 20%, 50V, CERAMIC	C-418-.1
C61,C63,C73-C76,C189,C215,C246,C249	CAP, .01uF, 20%, 50V, CERAMIC	C-418-.01
C66,C205	CAP, 100UF, 20%, 16V, TANTALUM	C-504-100
C68	CAP, 3300P, 10%, 500V, CERAMIC	C-497-3300P
C69,C208	CAP, 2200P, 5%, 50V, CERRAMIC	C-528-2200P
C7,C9,C12,C15,C26,C28,C29,C34,C55,C59	CAP, .01uF, 20%, 50V, CERAMIC	C-418-.01
C70,C211	CAP, 100U, 20%, 16V, ALUM ELEC	C-547-100
C71,C212	CAP, 100P, 10%, 100V, CERAMIC	C-451-100P
C91-C101,C107,C116-C118,C122,C124,C125	CAP, .1UF, 20%, 50V, CERAMIC	C-418-.1
CR1,CR2,CR5,CR6,CR8,CR115-CR117	DIODE, DUAL SWITCHING, BAV99L	RF-82
CR102,CR103	DIODE, BRIDGE, DF01	RF-52
CR104,CR106	DIODE, BRIDGE, PE05 (CASE KBU)	RF-48
CR110,CR118	DIODE, DUAL, HSM-2822T31	RF-95
CR3,CR4,CR13	DIODE, DUAL COMMON ANODE, BAW56LT2	RF-98
CR7,CR114,CR119,CR16	DIODE, SWITCHING, MMBD914	RF-83
CR9-CR12	DIODE, MBR5130LT3	RF-115
DS101,DS102	PILOT LIG, HSMH-T400, LED	PL-92-1
J1	CONN, HEADER STRAIGHT SOLDER PIN	CS-368-26
J1002	CONN, BERG 4-PIN	CS-724-4
J1006	CONN, MICRODIN W/GND FINGERS	CS-792
J1008,J1018	LATCHING HEADER, FRICTON, SGL ROW	CS-724-3
J1010	CONN, FEMALE, 8 PIN	CS-612-8
J1012	CONN, HEADER STRAIGHT SOLDER PIN	CS-368-20
J1014	CONN, HEADER STRAIGHT SOLDER PIN	CS-368-16
J1017	CONN, MALE, 3 PIN RT ANGLE	CS-1138-1
J2	CONNECTOR, HEADER STRAIGHT SOLDER PIN	CS-368-14
J3	CONN, MODULAR JACK, LED 3	CS-1150-1

Table 6-1 (Continued)

Model 2701 motherboard parts list

Circuit designation	Description	Keithley part no.
J4	CONN, RT ANGLE, FEMALE, 9 PIN	CS-761-9
J5	CONN, D-SUB MALE, BOARDLOCK TYPE	CS-848-9
J6	LATCHING HEADER, 5-PIN	CS-724-5
J7	CONN, BERG	CS-339
K101-K103	RELAY,MINATURE(DPDT), TQ2E-L2-5V, EA2-5TNJ	RL-155
L107	CHOKE	CH-61
L108	DATA LINE FILTER	CH-111-1
L109	CHOKE, EMI	CH-57
L16-L23,L116,L27	CHOKE, 22UH	CH-66-22
L1-L7,L9-L14,L102-L104,L801	FERRITE CHIP, 600 OHM, BLM32A07	CH-62
L24,L25,L105,L106,L501,L15	FERRITE CHIP, 600 OHM, BLM32A07	CH-62
L8,L26	CHOKE, 22U HIGH CURRENT POWER IND	CH-93-1
LS1	BEEPER, 5V, 30MA, QMX-05	EM-6
M315	WIRE ROUTING CABLE CLAMP	CC-88-1
M42	FOOT, DOME	FE-36-2
Q1,Q127,Q131-Q133,Q11,Q13	TRANS, N-MOSFET, VN0605T	TG-243
Q101,Q102	TRANS, N-CHAN MOSFET, 2SK1412	TG-276
Q104,Q106,Q107,Q114,Q120,Q122-Q126	TRANS, N CHANNEL JFET, SNJ132199	TG-294
Q105,Q108,Q109,Q113	TRANS, N CHANNEL JFET, SST4118	TG-347
Q119	TRANS, P CHANNEL JFET, J270, J177	TG-166
Q135-Q137,Q148	TRANS, N CHANNEL JFET, SNJ132199	TG-294
Q14	TRANS, P-CHAN, MOSFET, TP0610T	TG-259
Q2,Q4,Q111,Q116,Q129,Q144,Q146,Q8,Q9	TRANS, PNP, MMBT3906L	TG-244
Q3,Q5,Q110,Q112,Q115,Q118,Q130,Q143, Q145	TRANS, NPN, MMBT3904	TG-238
Q6,Q7	TRANSISTOR	TG-429
R1,R60	RES, 33.2K, 1%, 100MW, THICK FILM	R-418-33.2K
R101,R102	RES, 1M, 5%, 125MW, METAL FILM	R-375-1M
R103,R107,R108,R113,R120,R121,R124,R125	RES, 24K, 5%, 1W, 200V, THICK FILM	R-437-24K
R104,R105	RES, 549K, .1%, 1/4W, METAL FILM	R-315-549K
R106	RES, 11K, .1%, 1/10W, METAL FILM	R-263-11K
R109,R134	RES, 1K, 1%, 1/4W, METAL FILM	R-391-1K
R11,R12,R36,R37,R331,R332	RES, 100, 1%, 100MW, THICK FILM	R-418-100
R110,R133,R405	THICK FILM	TF-280-1
R112,R116	RES, 15K, 1%, 100MW, THICK FILM	R-418-15K
R114,R2	RES, 604, 1%, 100MW, THICK FILM	R-418-604
R115,R175,R176,R324	RES, 2.49K, 1%, 1/4W, METAL FILM	R-391-2.49K
R117	RES NET, VARIOUS, .1%, MDN460	TF-255

Table 6-1 (Continued)
 Model 2701 motherboard parts list

Circuit designation	Description	Keithley part no.
R119,R384,R385	RES, 15K, 1%, 1/4W, METAL FILM	R-391-15K
R123	RES, 73.2K, 1%, 100MW, THICK FILM	R-418-73.2K
R126,R128,R185,R275	RES, 475, 1%, 1/4W, METAL FILM	R-391-475
R129	RES, 215, 1%, 100MW, THICK FILM	R-418-215
R132,R139,R148,R163	RES, 24K, 5%, 1W, 200V, THICK FILM	R-437-24K
R135	RES, 33.2K, 1%, 100MW, THICK FILM	R-418-33.2K
R137,R143,R152,R164	RES, 100K, 1%, 1/4W, METAL FILM	R-391-100K
R138,R141,R414,R88	RES, 100, 1%, 1/4W, METAL FILM	R-391-100
R140,R165,R184,R187,R190,R200,R204,R206	RES, 1K, 1%, 100MW, THICK FILM	R-418-1K
R142	RES, 10, 5%, 125MW, METAL FILM	R-375-10
R145,R156,R195,R199,R202,R208,R213,R257	RES, 100, 1%, 100MW, THICK FILM	R-418-100
R146	RES, 1.1M, 5%, 125MW, METAL FILM	R-375-1.1M
R147	RES, 732K, 1%, 100MW, THICK FILM	R-418-732K
R149,R386,R387	RES, 1.5K, 1%, 100MW, THICK FILM	R-418-1.5K
R150,R231,R325-R328,R346,R388	RES, 49.9K, 1%, 100MW, THICK FILM	R-418-49.9K
R151,R166	RES, 1.5K, 1%, 100MW, THICK FILM	R-418-1.5K
R153	RES NET, 3.6K, MICRO DIVIDER	TF-246-1
R157	RES, 499, 1%, 100MW, THICK FILM	R-418-499
R158	RES, .1, 1%, 3W	R-475-.1
R159,R182,R272	RES, 1K, 1%, 1/4W, METAL FILM	R-391-1K
R167,R173,R197,R256,R284,R288,R298,R340	RES, 1K, 1%, 100MW, THICK FILM	R-418-1K
R169,R87	RES, 4.75K, 1%, 100MW, THICK FILM	R-418-4.75K
R170	RES, 100K, .1%, .125W, THIN FILM	R-456-100K
R171	RES, 1K, .1%, .125W, THIN FILM	R-456-1K
R172,R339,R343,R62	RES, 1M, 1%, 100MW, THICK FILM	R-418-1M
R174,R224,R389,R70	RES, 10K, 1%, 100MW, THICK FILM	R-418-10K
R178,R179,R280	RES, 49.9, 1%, 100MW, THICK FILM	R-418-49.9
R180,R181	RES, 301, 1%, 100MW, THICK FILM	R-418-301
R188	RES, 49.9, 1%, 1/4W, METAL FILM	R-391-49.9
R189,R400,R401	RES, 3.01K, 1%, 1/4W, METAL FILM	R-391-3.01K
R191,R193,R391,R395,R56,R71,R76	RES, 100K, 1%, 100MW, THICK FILM	R-418-100K
R192	RES, 6.98K, 1%, 1/4W, METAL FILM	R-391-6.98K
R194	RES, 7.06K, 1%, .125W, METAL FILM	R-443-7.06K
R196	RES, 2K, 1%, 1/4W, METAL FILM	R-391-2K
R198	RES, 70K, 1%, .3W, 300V, METAL FOIL	R-449-70K
R201,R238	RES, 30.1K, 1%, 100MW, THICK FILM	R-418-30.1K
R205,R338	RES, 10, .5%, 1/8W, METAL FILM	R-246-10
R209-R211,R214,R218-R220,R244,R392,R396	RES, 4.75K, 1%, 100MW, THICK FILM	R-418-4.75K
R212,R217,R39,R40	RES, 2.21K, 1%, 100MW, THICK FILM	R-418-2.21K

Table 6-1 (Continued)
Model 2701 motherboard parts list

Circuit designation	Description	Keithley part no.
R215,R216	RES, 4.42K, 1%, 1/4W, METAL FILM	R-391-4.42K
R221,R222	RES, 2.21K, 1%, 1/4W, METAL FILM	R-391-2.21K
R223	RES, 2.21K, 1%, 1/4W, METAL FILM	R-391-2.21K
R225	RES, 470, 5%, 125MW, METAL FILM	R-375-470
R226	RES, 475, 1%, 100MW, THICK FILM	R-418-475
R228,R237,R252	RES, 249, 1%, 100MW, THICK FILM	R-418-249
R23	RES, 4.75K, 1%, 100MW, THICK FILM	R-418-4.75K
R230	RES, 49.9K, 1%, 100MW, THICK FILM	R-418-49.9K
R232,R233,R236	RES, 100, 1%, 1/4W, METAL FILM	R-391-100
R234	RES, 5.11K, 1%, 100MW, THICK FILM	R-418-5.11K
R235,R245,R250,R255	RES, 475, 1%, 100MW, THICK FILM	R-418-475
R239,R242	RES, 2.2, 5%, 125MW, METAL FILM	R-403-2.2
R24	RES, 200, 1%, 100MW, THICK FILM	R-418-200
R240	RES, 2.2, 5%, 125MW, METAL FILM	R-403-2.2
R241	RES, 34K, 1%, 100MW, THICK FILM	R-418-34K
R243	RES, 22.1K, 1%, 100MW, THICK FILM	R-418-22.1K
R246	RES, 82.5, 1%, 100MW, THICK FILM	R-418-82.5
R247	RES, 34K, 1%, 100MW, THICK FILM	R-418-34K
R248,R251	RES, 267, 1%, 1/2W, METAL FILM	R-94-267
R249	RES, 4.02K, 1%, 100MW, THICK FILM	R-418-4.02K
R259,R320	RES, 10, 10%, 100MW, THICK FILM	R-418-10
R273,R274,R307,R314	RES, 475, 1%, 1/4W, METAL FILM	R-391-475
R277	RES, 66.5K, 1%, 100MW, THICK FILM	R-418-66.5K
R278,R281	RES, 357, 1%, 100MW, THICK FILM	R-418-357
R279,R289,296,R299,R305,R319,R342,R390	RES, 1K, 1%, 100MW, THICK FILM	R-418-1K
R287,R316,R317,R349	RES, 1.28M, .1%, 1/8W, METAL FILM	R-176-1.28M
R290	RES, 49.9K, 1%, 1/4W, METAL FILM	R-391-49.9K
R302,R303,R383	RES, 499, 1%, 100MW, THICK FILM	R-418-499
R304	RES, 20K, 1%, 100MW, THICK FILM	R-418-20K
R308	RES, 100, 1%, 100MW, THICK FILM	R-418-100
R309	RES, 1K, .1%, 1/10W, METAL FILM	R-263-1K
R310	RES, 9.09K, .1%, 1/10W, METAL FILM	R-263-9.09K
R311	RES, 392, 1%, 100MW, THICK FILM	R-418-392
R312,R313	RES, 332K,1%, 100MW, THICK FILM	R-418-332K
R315	RES, 100K, 1%, 100MW, THICK FILM	R-418-100K
R318	RES, 73.2K, 1%, 100MW, THICK FILM	R-418-73.2K
R323	RES, 150, 1%, 100MV, THIN FILM	R-438-150
R341	RES, 1K, 1%, 100MW, THICK FILM	R-418-1K
R350	RES, 6.04K, 1%, 125MW, THIN FILM	R-423-6.04K

Table 6-1 (Continued)
 Model 2701 motherboard parts list

Circuit designation	Description	Keithley part no.
R352	RES NET 50K, 1%, .5W, THICK FILM	TF-243-50K
R353	RESISTOR NETWORK, 10K-10K	TF-236
R354	RES NET, 5K, .1%, 668A	TF-243-5K
R38,R95,R97-R100,R111,R118,R122,R127	RES, 1K, 1%, 100MW, THICK FILM	R-418-1K
R382,R419,R801,R168,R69,R73,R74,R77,R79	RES, 10K, 1%, 100MW, THICK FILM	R-418-10K
R394,R22,R54,R89,R90	RES, 1K, 1%, 100MW, THICK FILM	R-418-1K
R4,R6	RES, 75, 1%, 100MW, THICK FILM	R-418-75
R46,R131,R227,R229,R276,R282,R344,R345	RES, 10K, 1%, 100MW, THICK FILM	R-418-10K
R5	RES, 10, 10%, 100MW, THICK FILM	R-418-10
R50	RES, 5.11K, 1%, 100MW, THICK FILM	R-418-5.11K
R52,R58,R63,R65,R144,R84,R85	RES, .0499, 1%, 100MW, THICK FILM	R-418-.0499
R55	RES, 5.49K, 1%, 100MW, THICK FILM	R-418-5.49K
R66,R67	RES, 12.4, 10%, 100MW, THICK FILM	R-418-12.4
R7	RES CAP NET, 50 OHM, 10%, 100P-20%, 1W	TF-286-50-100P
R72	RES, 3.01K, 1%, 100MW, THICK FILM	R-418-3.01K
R75,R78,R80,R81,R130,R154,R177,R183,R186	RES, 100K, 1%, 100MW, THICK FILM	R-418-100K
R8,R13-R21,R25-R33,R35,R41-R45,R47-R49	RES, 4.75K, 1%, 100MW, THICK FILM	R-418-4.75K
R86,R82,R83,R92-R94,R155,R162,R203,R207	RES, 4.75K, 1%, 100MW, THICK FILM	R-418-4.75K
R9,R10,R34	RES, 200, 1%, 100MW, THICK FILM	R-418-200
R91	RES, 56.2 1% .1W, THICK FILM	R-418-56.2
R96	RES, 56.2 1% .1W, THICK FILM	R-418-56.2
RV1	TRANSIENT VOLTAGE SUPPRESSOR	VR-25
RV101,RV102	VAR, 576V METAL OXIDE, 510L40	VR-5
RV104,RV105	BIDIRECTIONAL TRANSIENT VOLT SUPPRESSOR	VR-8
S101	SWITCH, PUSHBUTTON, 8 POLE	SW-468
SA101	SURGE ARRESTOR, CG3-1.5AL	SA-4
SA102,SA103	SURGE ARRESTOR	SA-8
TP102,TP105,TP107	CONN, TEST POINT	CS-553
TP103,TP104,DGND	SURFACE MOUNT PCB TEST POINT	CS-1026
U1	IC, COLD FIRE MICROPROCESSOR	LSI-286
U10	IC, 32 BIT RISC PROCESSOR	LSI-285
U101	IC, VOLTAGE REG, LM317M	IC-846
U102,U118	IC, J-FET, OP-AMP, TLE2081CD	IC-967
U103,U105,U111,U129	IC, CMOS ANALOG SWITCH, DG211DY	IC-768
U104	IC, IRED AND PHOTO DIODE ARRAY	IC-1468
U106,U109,U121,U130,U134	IC, 8 STAGE SHIFT/STORE, MC14094BD	IC-772
U107,U108	IC, PHOTO DARLINGTON TRANS, PS2706-1	IC-1467
U110	IC, TRMS TO DC CONVERTER, 637JR	IC-796

Table 6-1 (Continued)

Model 2701 motherboard parts list

Circuit designation	Description	Keithley part no.
U112	IC, LOW COST HIGH SPEED JFET AMP	IC-1526
U113,U126	IC, OP-AMP, LTC1050CS8	IC-791
U114,U167	IC, DUAL J-FET OP-AMP, OP-282GS,	IC-968
U115	IC, QUAD COMPARATOR, LM339D	IC-774
U116	IC, DARLINGTON ARRAY, ULN2003L	IC-969
U117,U145	IC, VOLT. COMPARATOR, LM311M	IC-776
U119	IC, -15V, VOLTAGE REGULATOR	IC-1334
U12	IC, 10/100 ETHERNET TRANSCEIVER	LSI-263
U120,U131,U169,U186,U30	IC, VOLT COMPARATOR, LM393D	IC-775
U123	IC, DUAL PICOAMP OP-AMP, AD706JR	IC-910
U124	IC, VOLTAGE REGULATOR	IC-1132
U125	IC, +15V, VOLTAGE REGULATOR	IC-1241
U13	IC, OCTAL BUFFER	IC-1308
U132,U138,U139,U190	IC, OPA177GS	IC-960
U133	IC, CMOS ANAL SWITCH, DG444DY,	IC-866
U137,U166	IC, HI-SPEED BIFET OP-AMP, AD711JR	IC-894
U14,U20,U29	IC, DUAL BUFFER W/OPEN DRAIN OUTPUT	IC-1479
U141	IC, PRECISION REFERENCE, LM399	196-600A
U142	IC, OP-AMP, NE5534D	IC-802
U144	IC, 5V, 3.0A, LOW-DROPOUT REGULATOR	IC-1519
U148,U153	IC, QUAD 2 IN NOR, 74HCT02	IC-809
U149	IC, NCHAN LAT DMOS QUADFET, SD5400CY	IC-893
U15	IC, +3.3V, RS232 TRANSCEIVER	IC-1420
U150	IC, OPTOCOUPLER, 2611	IC-690
U154	IC, QUAD D FLIP FLOP W/CLK,RESET 74HC175	IC-923
U155	IC, OPTOCOUPLER, 2601	IC-239
U16	IC, 300MA, DUAL SMART BATT BACK UP REG	IC-1528
U163	IC, 8-CHAN ANA MULTIPLEXER, DG408DY	IC-844
U165	PROGRAM	2000-802A02
U168	IC, DUAL D-TYPE F/F, 74HC74	IC-773
U17	IC, HEX SCHMITT INVERTER	IC-1368
U175	IC, DUAL HIGH CMR/SPEED OPTO, HCPL-2631	IC-588
U18	IC, 1.5A, SWITCHING REGULATOR	IC-1426
U19	INTEGRATED CIRCUIT SMT	IC-1532
U2,U21,U22,U26,U28,U31-U34,U801-U803	UHS CONFIGURABLE 2-INPUT GATE	IC-1492
U23,U24	IC, PROTECTED QUAD POWER DRIVERS	IC-1212

Table 6-1 (Continued)

Model 2701 motherboard parts list

Circuit designation	Description	Keithley part no.
U25	IC, 2.5V, 1.5A, SWITCHING REGULATOR	IC-1505
U27	INTERGRATED CIRCUIT SMT	IC-1423
U3,U11	IC, 512K X 32 X 4 BANKS SDRAM	LSI-266-2
U35	UHS CONFIGURABLE 2-INPUT GATE	IC-1493
U4	IC, LITHIUM ION BATTERY CHARGER	IC-1530
U427	INTEGRATED CIRCUIT SMT	IC-1529
U5	OCTAL BUFFERS/DRIVERS, 3-ST OUT	IC-1488
U6	IC, 3V, ADV BOOT BLOCK FLASH MEM	LSI-257-1
U7	INTEGRATED CIRCUIT SMT	IC-1524
U8	IC, 32K X8 BIT, 70NS 3.3V FRAM	LSI-291-1
U805-U807	UHS CONFIGURABLE 2-INPUT GATE	IC-1492
U9	FPGA, 2.5V	LSI-292-1
VR102	DIODE, ZENER, 6.0V, BZX84B6V2	DZ-87
VR103,VR104	DIODE, ZENER, 6.8V, MMSZ5235BT1	DZ-100
VR105,VR106,VR124,VR125	DIODE, ZENER, 11V, MMSZ11T1	DZ-103
VR107,VR108,VR110,VR122,VR123	DIODE, ZENER, 5.1V, BZX84C5V1	DZ-88
VR109	DIODE, ZENER, 17V, MMBZ5247BL	DZ-104
VR112,VR113	DIODE, ZENER, 6.2V, MMSZ6V2	DZ-97
VR119,VR120	DIODE, ZENER, 12V, MMSZ12T1	DZ-112
Y1	CRYSTAL OSCILLATOR, 50M	CR-73-4
Y102	CRYSTAL OSCILLATOR, 12M	CR-75-1
Y2	CRYSTAL, FSM327	CR-41

Table 6-2
Model 2701 display board parts list

Circuit designation	Description	Keithley part no.
C401,C402,C411,C403,C404,C405,C407,C409	CAP, .1UF, 20%, 50V, CERAMIC	C-418-.1
C406,C408	CAP, 33PF, 10%, 100V, CERAMIC	C-451-33P
C410,C412	CAP, .1UF, 20%, 50V, CERAMIC	C-418-.1
C413	CAP, 22UF, 20%, 6.3, TANTALUM	C-417-22
C414	CAP, 47PF, 10%, 100V, CERAMIC	C-451-47P
CR401,CR402	DIODE, MBR0520LT1	RF-103
DS401	DISPLAY	DD-61
P1014	CABLE ASSEMBLY	CA-123-16A
R401-R404,R406,R409,R411,R414-R418	RES, 15k, 1%, 100MW, THICK FILM	R-418-15K
R405,R408,R410,R412	RES, 12.1, 1%, 1/4W, METAL FILM	R-391-12.1
R413	RES, 13K, 1%, 100MW, THICK FILM	R-418-13K
R419	RES, 10M, 5%, 125MW, METAL FILM	R-375-10M
R420,R421	RES, 10K, 1%, 100MW, THICK FILM	R-418-10K
U401	PROGRAMMED ROM	2000-800A02
U402,U403	IC, LATCHED DRIVERS, UCN-5812EPF-1	IC-732
Y401	CRYSTAL, 4MHZ	CR-36-4M

Table 6-3
Model 2701 backplane board parts list

Circuit designation	Description	Keithley part no.
J1,J2	CONN 2 ROWS OF 16 PINS	CS-736-4
J3	CONN, RT ANGLE HEADER	CS-1066-1
J4,J5	CONN, FEMALE, 8 PIN	CS-612-8
J6,J7	CONN, MALE, 3 PIN	CS-612-1
L1,L2	FERRITE CHIP, 600 OHM, BLM32A07	CH-62
R1,R3	RES, 4.75K, 1%, 100MW, THICK FILM	R-418-4.75K
R2,R4-R13	RES, 475, 1%, 1/4W, METAL FILM	R-391-475

Table 6-4
Model 2701 miscellaneous parts list

Quantity	Description	Keithley part no.
1	SLOT COVER	2750-321A
1	HANDLE	428-329F
1	FAN	FN-39-1
1	SWITCHPAD	2000-310A
1	CHASSIS	2701-301A
1	REAR PANEL	2701-303A
1	FRONT PANEL	2701-308A
1	FRONT PANEL	2001-302H
1	DISPLAY LENS	2701-311A
1	SLOT COVER	2750-321A
1	BEZEL, REAR	428-303D
2	FOOT	428-319A
1	MOUNTING EAR, RIGHT	428-328E
1	MOUNTING EAR, LEFT	428-338B
1	POWER ROD	704-313A
1	BATTERY, LITHIUM ION	BA-52
2	BANANA JACK, PUSH-IN BLACK	BJ-14-0
2	BANANA JACK, PUSH-IN RED	BJ-14-2
2	FOOT, EXTRUDED	FE-22A
2	FOOT, RUBBER	FE-6
1	FUSE HOLDER	FH-35-1
1	FUSE, .630A, 250V, SLO BLO FUSE	FU-106-.630
1	FUSE, 3A, 250	FU-99-1
1	LINE MODULE	PM-1-1B
1	TRANSFORMER	TR-361A
1	TEST LEADS	CA-22
1	LINE CORD	CO-7

Table 6-5
Model 7700 parts list

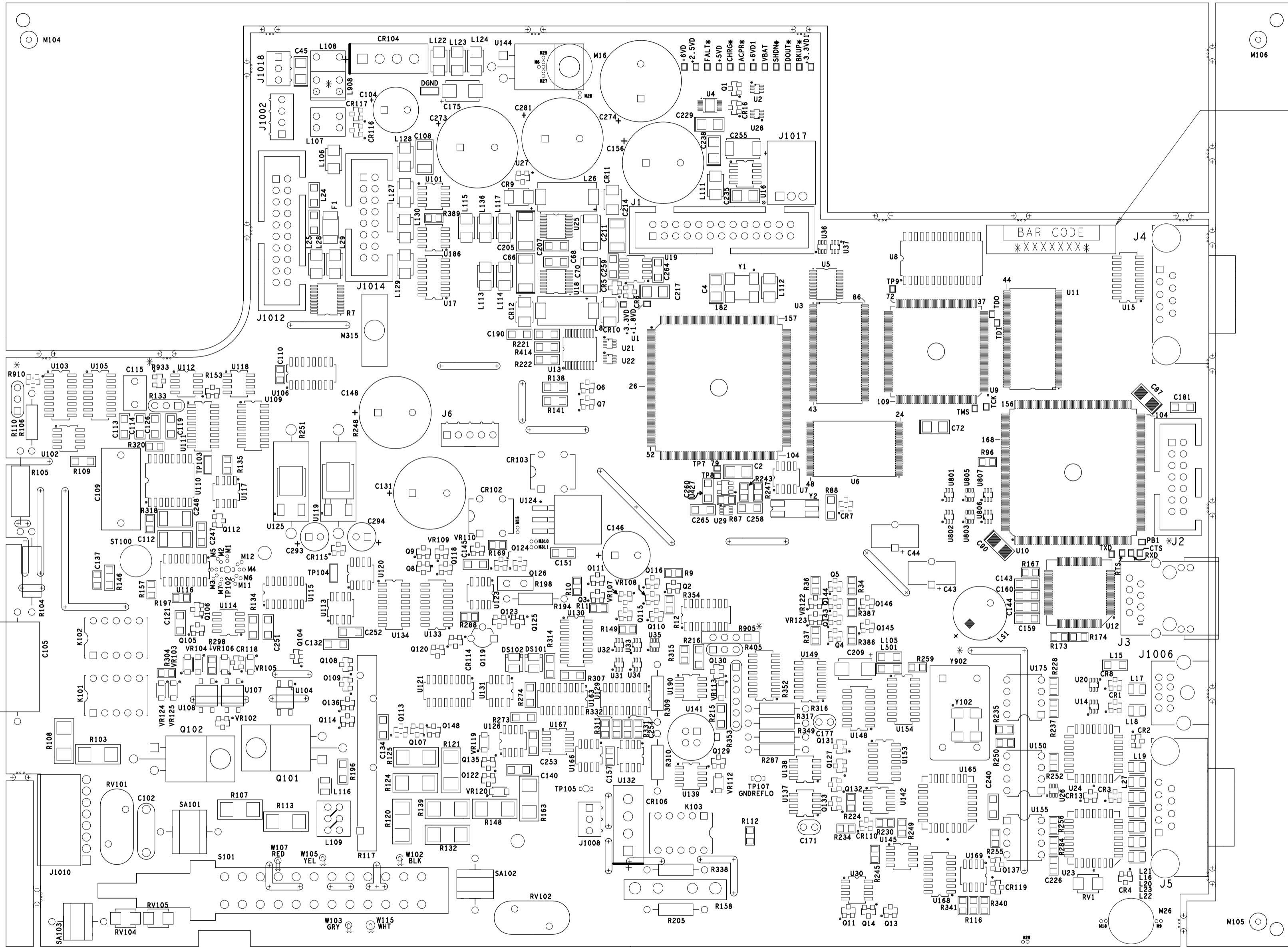
Circuit designation	Description	Keithley part no.
C1,C9,C10,C11,C14,C15,C22,C4	CAP, 0.1UF, 20%, 50V, CERAMIC	C-418-.1
C16	CAP, 220U, 20%, 10V, TANTALUM	C-558-220
C17,C18,C19,C21,C25,C26,C23,C24,C15	CAP, 47P, 5%, 100V, CERAMIC	C-465-47P
C2,C6,C7,C8,C12,C13,C20,C27,C28,C31	CAP, 0.1UF, 20%, 50V, CERAMIC	C-418-.1
C29,C32,C33,C34	CAP, 47P, 5%, 100V, CERAMIC	C-465-47P
C30	CAP, 4.7U, 10%, 35V, TANTALUM	C-476-4.7
CR1,CR22	DIODE, DUAL SWITCHING, BAV99L	RF-82
CR23,CR24,CR26,CR27	DIODE, SWITCHING, MMBD914	RF-83
CR2-CR21,CR25	DIODE, DUAL SWITCHING, BAV99L	RF-82
F1,F2	FUSE, 3A	FU-107-1
J1	CONN, RT ANGLE DUAL ROW RECEPT	CS-1065-1
K1-K21,K24,K25,K26,K27	SINGLE COIL LATCH RELAY	RL-225
K22,K23	NON LATCHING RELAY	RL-242
Q1	N-CHANNEL/P-CHANNEL POWER MOSFET	TG-360
Q2,Q4	TRANS, PNP SILICON	TG-388
Q3,Q6,Q49,Q50	TRANS, NPN SILICON	TG-389
Q34,36,38,40,42,44,46,7	TRANS, PNP SILICON	TG-388
Q35,37,39,41,43,45,47,48	TRANS, NPN SILICON	TG-389
Q5	P CHANNEL TMOSFET	TG-392
Q8,10,12,14,16,18,20,22,24,26,28,30,32	TRANS, PNP SILICON	TG-388
Q9,11,13,15,17,19,21,23,25,27,29,31,33	TRANS, NPN SILICON	TG-389
R1	RES, 69.8K, 1%, 1W, THICK FILM	R-418-69.8K
R10,R11,R12	RES, 4.7K, 5%, 125MW, METAL FILM	R-375-4.7K
R108,R109,R110,R111,R3,R150	RES, 1K, 1%, 100MW, THICK FILM	R-418-1K
R13,R14	RES, 3.01K, 1%, 125MW, METAL FILM	R-391-3.01K
R15-R54,R58,R59	RES, 4.22K, 1%, 125MW, METAL FILM	R-391-4.22K
R2	RES, 10K, 1%, 100MW, THICK FILM	R-418-10K
R4,R5,R6,R7	RES, 2.21K, 1%, 125MW, METAL FILM	R-391-2.21K
R8	RES, 1K, 5%, 125MW, METAL FILM	R-375-1K
R9	RES, 1K, 5%, 125MW, METAL FILM	R-375-1K
R55,R56,R57	RES, 470, 5%, 125MW, METAL FILM	R-375-470
R60,R61	RES, 4.22K, 1%, 125MW, METAL FILM	R-391-4.22K
R62,R63	RES, 137, 1%, 125MW, METAL FILM	R-391-137
R64,R65,R66,R67,R68,R69,R70,R71	RES, 499, 1%, 100MW, THICK FILM	R-418-499
TE101-TE110,TE122	CONN, 4-PIN, JOLO BB-125-04	TE-115-4
TE-121	CONN, 6-PIN	TE-115-6
U1,U2,U3,U4,U8	IC, 8 STAGE SHIFT/STORE, MC14094BD	IC-772
U11,U12,U13,U15,U17,U18	IC, CENTIGRADE TEMP SENSOR, LM35DM	IC-906
U14	IC, RETRIG., MULTIVIB, 74HC123AM	IC-788

Table 6-5 (Continued)*Model 7700 parts list*

Circuit designation	Description	Keithley part no.
U16	IC, 2.5V, CASCADABLE SERIAL EEPROM	LSI-212
U24	IC, QUAD 2 IN AND, 74HCT08	IC-837
U6	IC, 8-CHAN ANA MULTIPLEXER, DG408DY	IC-844
U7,U25	IC, POS NAND GATES/INV, 74HCT14	IC-656
U9,U10	IC, DUAL OPTO	IC-1358
	TOP COVER HEAT STAKE ASSEMBLY	7700-302A
	BOTTOM CARD COVER	7702-301C
	COMPRESSION SPRING	SP-7-3

PRIMARY SIDE COMPONENTS (SIDE -04)

LTR.	ECA NO.	REVISION	ENG.	DATE
B	27142	RELEASED	KEK	04/18/02
C	27408	REVISED ARTWORKS. REFER TO ECA FOR PART CHANGES. CHANGED LOCATION OF MC-612 LABEL. ADDED J2 TO PTH "DO NOT POPULATE" LIST.	KEK	07/14/02
C1	27551	SEE PG.2	TJA	08/30/02



* DO NOT POPULATE:
 PTH: J2, L908, R905, Y902
 SMT: R910, R933

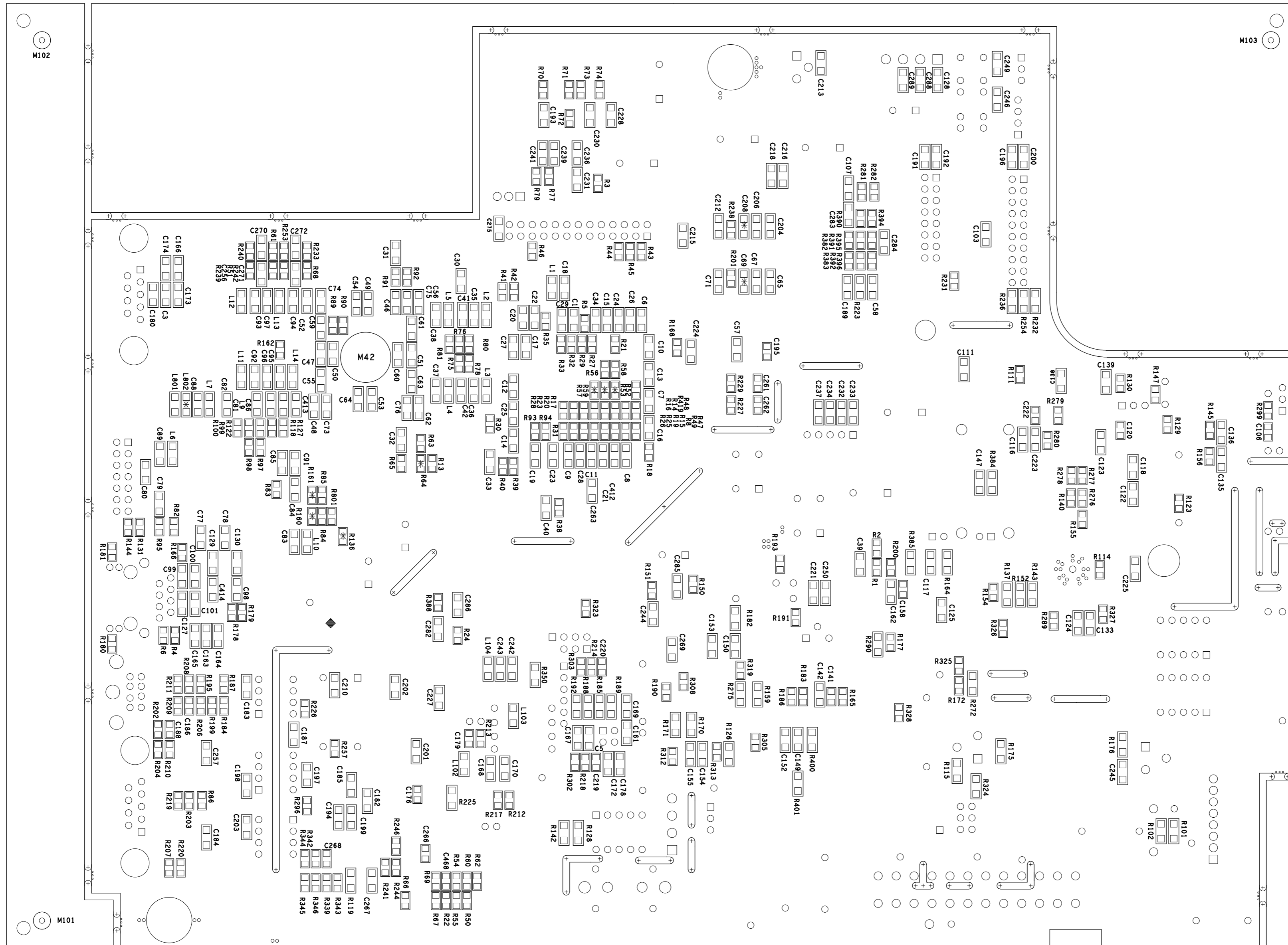
NOTE: FOR FURTHER COMPONENT INFORMATION,
 REFER TO PRODUCT STRUCTURE.

MODEL	NEXT ASSEMBLY	QTY.
		USED ON

KEITHLEY KEITHLEY INSTRUMENTS INC. CLEVELAND, OHIO 44139	DIM ARE IN IN. UNLESS OTHERWISE NOTED	DATE 12/14/01	SCALE 3:2	TITLE COMPONENT LAYOUT, MOTHER BOARD
	DIM. TOL. UNLESS OTHERWISE SPECIFIED	DRN AJ5	APPR. KAS	
XX=+.01 XXX=+.005	ANG.=+1 FRAC.=+1/64	DO NOT SCALE THIS DRAWING	C NO.	2701-100

SECONDARY SIDE COMPONENTS (SIDE -01)

LTR.	ECA NO.	REVISION	ENG.	DATE
B	27142	RELEASED	KEK	04/18/02
C	27408	REVISED ARTWORKS, REFER TO ECA FOR PART CHANGES, ADDED C69 & C208 TO SMT "DO NOT POPULATE" LIST.	KEK	07/14/02
C1	27551	CHANGED C275 FROM C-451-1000P TO C-451-22P.	TJA	08/30/02



* DO NOT POPULATE:
SMT: C69, C208, L802, R53, R57, R59, R64, R136, R160, R161.

NOTE: FOR FURTHER COMPONENT INFORMATION,
REFER TO PRODUCT STRUCTURE.

MODEL	NEXT ASSEMBLY	QTY.
USED ON		

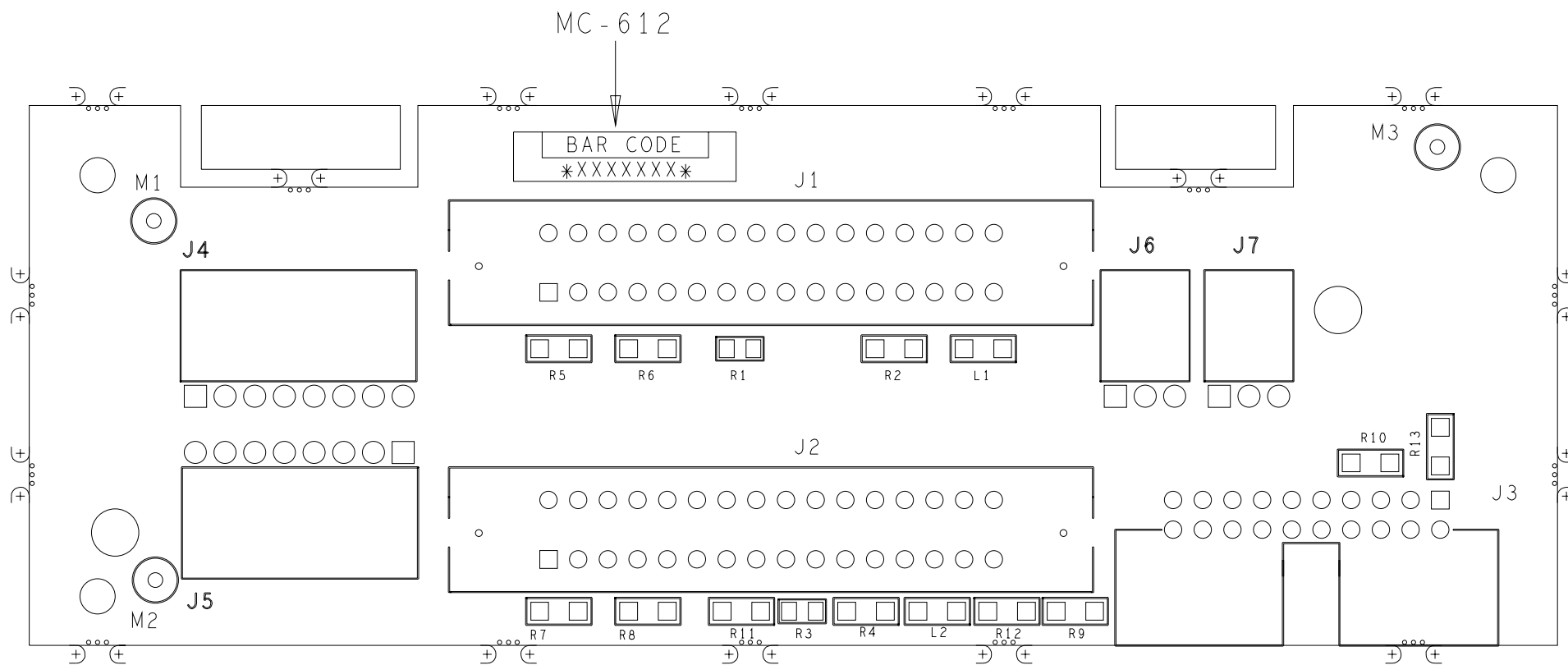
KEITHLEY KEITHLEY INSTRUMENTS INC. CLEVELAND, OHIO 44139	DIM ARE IN IN. UNLESS OTHERWISE NOTED	DATE 12/14/01	SCALE 3:2	TITLE COMPONENT LAYOUT, MOTHER BOARD
	DIM. TOL. UNLESS OTHERWISE SPECIFIED	DRN AJ5	APPR. KAS	
XX=+.01 XXX=+.005	ANG.=+1 FRAC.=+1/64	DO NOT SCALE THIS DRAWING		C NO. 2701-100

2750-130

ON

LTR.	ECA NO.	REVISION	ENG.	DATE
A		PRELIMINARY	LM/ELS	6/5/00
B	25493	RELEASED	LM/ELS	10/26/00

PRIMARY SIDE COMPONENTS (SIDE-04)

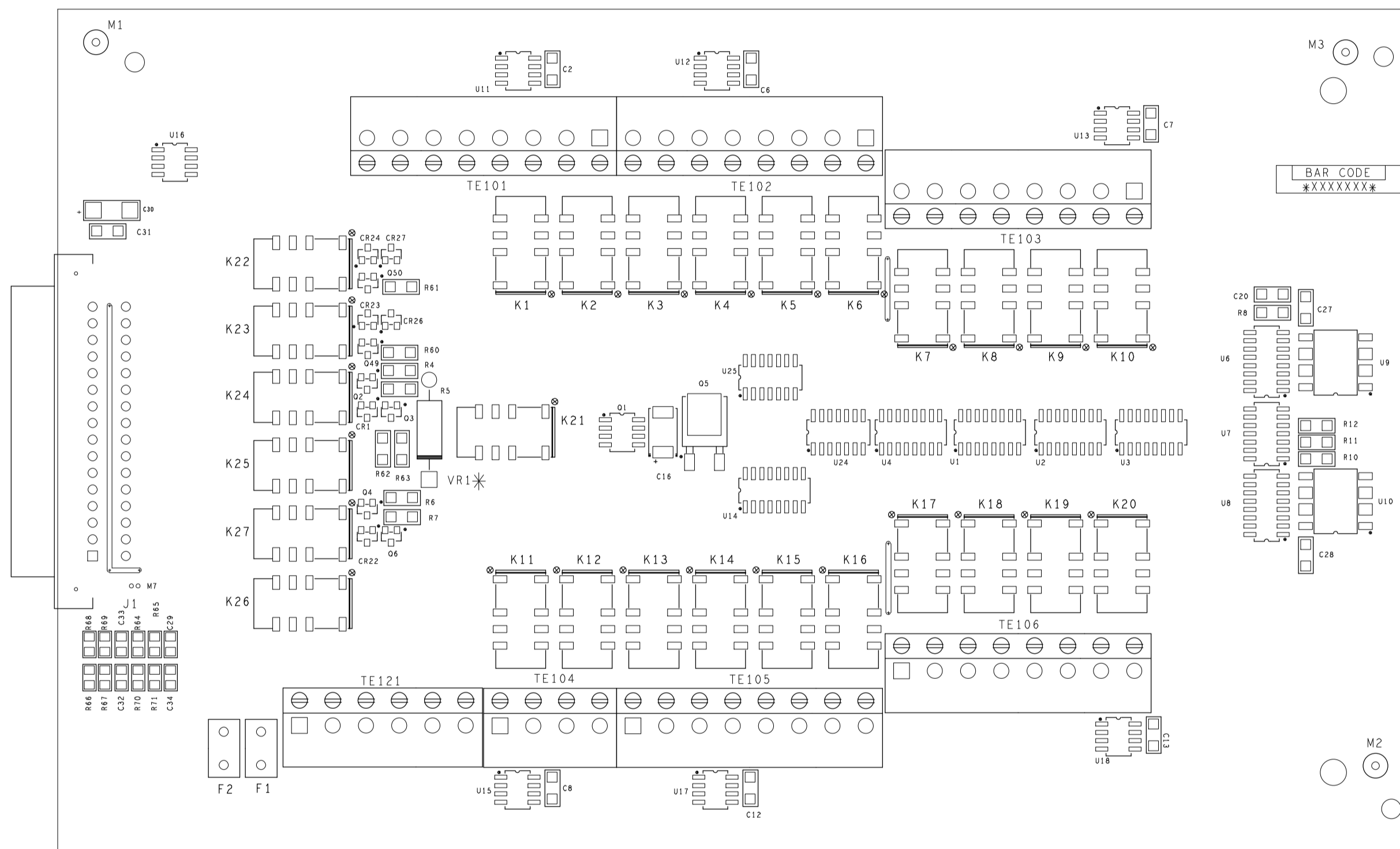


NOTE: FOR FURTHER COMPONENT INFORMATION REFER TO 2750 PRODUCT STRUCTURE.

MODEL	NEXT ASSEMBLY	QTY.
USED ON		

KEITHLEY KEITHLEY INSTRUMENTS INC. CLEVELAND, OHIO 44139	DIM ARE IN IN. UNLESS OTHERWISE NOTED	DATE 5/30/00	SCALE 3:2	TITLE COMPONENT LAYOUT
	DIM. TOL. UNLESS OTHERWISE SPECIFIED	DRN ELS	APPR. M.B.	
	XX = +.01 ANG. = +1 XXX = +.005 FRAC. = +1/64	DO NOT SCALE THIS DRAWING	A	NO. 2750-130

LTR.	ECA NO.	REVISION	ENG.	DATE
A		PRELIMINARY	LM/ELS	7/27/99
B	23457	RELEASED	LM/ELS	9/15/99
B1	24351	REVISED TE'S	LM/ELS	4/20/00
B2	24159	ADDED MC-612 LABEL TO COMP L/O CHG'D REFERENCE DESIGNATORS	LM/ELS	8/15/00
B3	25075	CHG'D R1 FROM R-418-69.8K TO R-418-140K.	KEK	11/7/00
B4	27663	DRAWING NOT AFFECTED	TJA	12/13/02

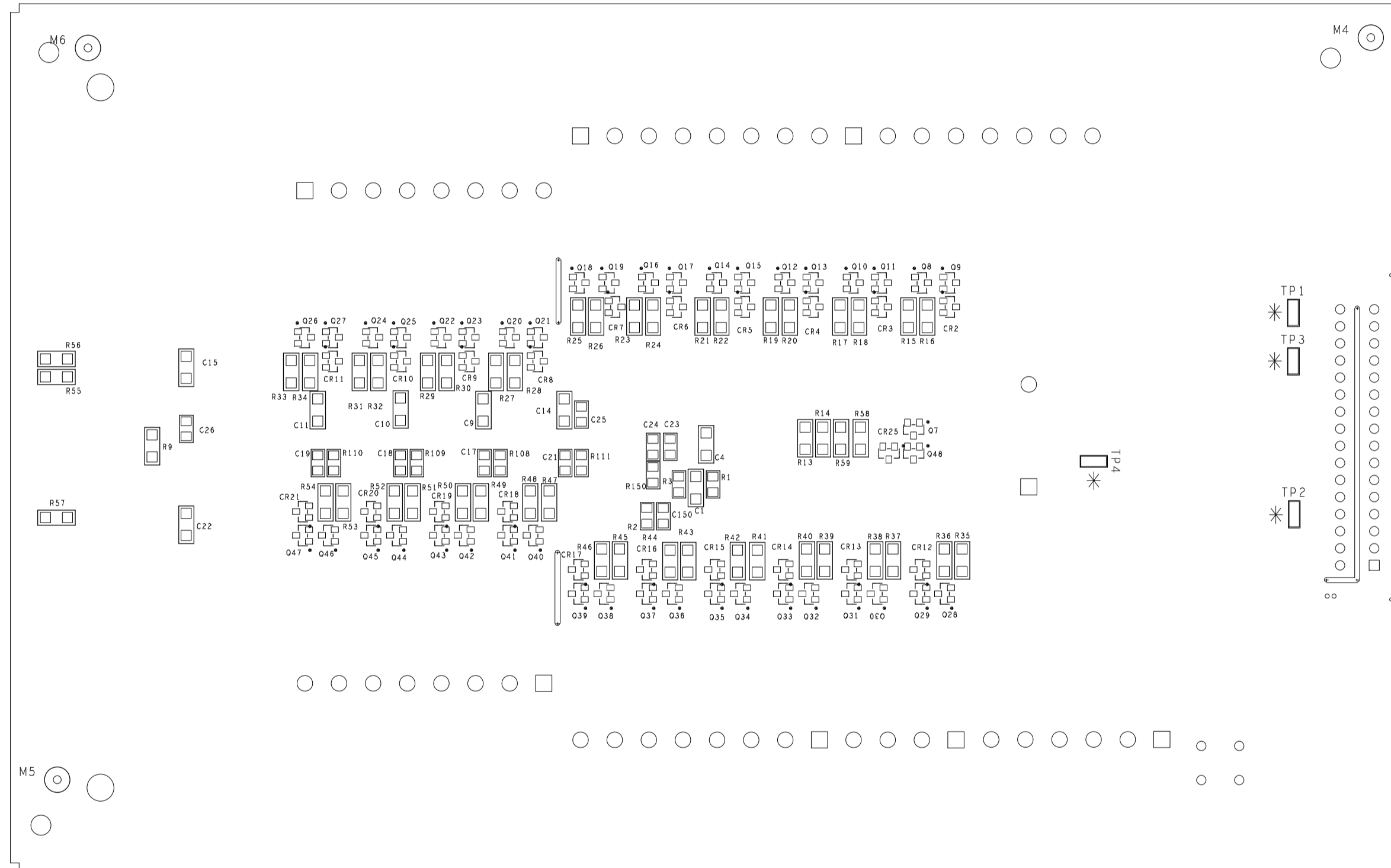


NOTE: FOR COMPONENT INFORMATION, SEE PRODUCT STRUCTURE.
PRIMARY SIDE COMPONENTS (SIDE-04)

* DO NOT POPULATE *
PTH
VR1

 KEITHLEY INSTRUMENTS INC. CLEVELAND, OHIO 44139 CONFIDENTIAL PROPRIETARY	UNLESS OTHERWISE SPECIFIED: DIMENSIONS ARE IN INCHES TOLERANCES: DECIMALS ANGULAR .XX ±.01 ANG. ±1° .XXX ±.005	DATE 9/15/99	SCALE 3:2	TITLE COMPONENT LAYOUT 20 CHANNEL SCANNER CARD
		DRN. ELS	APPR. P.S.	
DO NOT SCALE DRAWING			C	PG. 1 OF 2

LTR.	ECA NO.	REVISION	ENG.	DATE
A		PRELIMINARY	LM/ELS	7/27/99
B	23457	RELEASED	LM/ELS	9/15/99
B1	24351	REVISED TE'S	LM/ELS	4/20/00
B2	24159	ADDED MC-612 LABEL TO COMP L/O CHG'D REFERENCE DESIGNATORS	LM/ELS	8/15/00
B3	25075	CHG'D R1 FROM R-418-69.8K TO R-418-140K.	KEK	11/7/00
B4	27663	DRAWING NOT AFFECTED	TJA	12/13/02



NOTE: FOR COMPONENT INFORMATION, SEE PRODUCT STRUCTURE.
SECONDARY SIDE COMPONENTS (SIDE-01)

* DO NOT POPULATE *
SMT
TP1, TP2, TP3 & TP4

 KEITHLEY INSTRUMENTS INC. CLEVELAND, OHIO 44139 CONFIDENTIAL PROPRIETARY	UNLESS OTHERWISE SPECIFIED: DIMENSIONS ARE IN INCHES TOLERANCES: DECIMALS ANGULAR .XX ±.01 ANG. ±1° .XXX ±.005 (EXCLUDES FINISHED HOLE SIZES AND BOARD LAYER CONSTRUCTION)	DATE 9/15/99	SCALE 3:2	TITLE COMPONENT LAYOUT 20 CHANNEL SCANNER CARD
		DRN. ELS	APPR. P.S.	
DO NOT SCALE DRAWING			C	NO. 7700-100

A Specifications

2701 Ethernet Multimeter/Data Acquisition System

DC CHARACTERISTICS¹

CONDITIONS: MED (1 PLC)² or 10 PLC or MED (1 PLC) with Digital Filter of 10

FUNCTION	RANGE	RESOLUTION	TEST CURRENT ±5% OR BURDEN VOLTAGE	INPUT RESISTANCE OR OPEN CKT. VOLTAGE ³	ACCURACY: ±(ppm of reading + ppm of range) (ppm = parts per million) (e.g., 10ppm = 0.001%)			TEMPERATURE COEFFICIENT 0°–18°C & 28°–50°C
					24 Hour ⁴ 23°C±1°	90 Day 23°C±5°	1 Year 23°C±5°	
Voltage ¹¹	100.0000 mV	0.1 µV		>10 GΩ	15 + 30	25 + 35	30 + 35	(1 + 5)/°C
	1.000000 V	1.0 µV		>10 GΩ	15 + 6	25 + 7	30 + 7	(1 + 1)/°C
	10.00000 V	10 µV		>10 GΩ	10 + 4	20 + 5	30 + 5	(1 + 1)/°C
	100.0000 V	100 µV		10 MΩ ± 1%	15 + 6	35 + 9	45 + 9	(5 + 1)/°C
	1000.000 V ⁵	1 mV		10 MΩ ± 1%	20 + 6	35 + 9	50 + 9	(5 + 1)/°C
Resistance ^{6,8}	100.0000 Ω	100 µΩ	1 mA	6.9 V	20 + 20	80 + 20	100 + 20	(8 + 1)/°C
	1.000000 kΩ	1 mΩ	1 mA	6.9 V	20 + 6	80 + 6	100 + 6	(8 + 1)/°C
	10.00000 kΩ	10 mΩ	100 µA	6.9 V	20 + 6	80 + 6	100 + 6	(8 + 1)/°C
	100.0000 kΩ	100 mΩ	10 µA	12.8 V	20 + 6	80 + 10	100 + 10	(8 + 1)/°C
	1.000000 MΩ	1.0 Ω	10 µA	12.8 V	20 + 6	80 + 10	100 + 10	(8 + 1)/°C
	10.00000 MΩ ⁷	10 Ω	0.7 µA // 10M Ω	7.0 V	150 + 6	200 + 10	400 + 10	(70 + 1)/°C
	100.0000 MΩ ⁷	100 Ω	0.7 µA // 10M Ω	7.0 V	800 + 30	2000 + 30	2000 + 30	(385 + 1)/°C
Continuity (2W) ²¹	1.000 kΩ	100 mΩ	1 mA	6.9 V	40 + 100	100 + 100	100 + 100	(8 + 1)/°C
Current	20.00000 mA	10 nA	< 0.2 V		60 + 30	300 + 80	500 + 80	(50 + 5)/°C
	100.0000 mA	100 nA	< 0.1 V		100 + 300	300 + 800	500 + 800	(50 + 50)/°C
	1.000000 A	1.0 µA	< 0.5 V ⁹		200 + 30	500 + 80	800 + 80	(50 + 5)/°C
	3.000000 A	10 µA	< 1.5 V ⁹		1000 + 15	1200 + 40	1200 + 40	(50 + 5)/°C

Channel (Ratio)¹⁰ Ratio Accuracy = Accuracy of selected Channel Range + Accuracy of Paired Channel Range

Channel (Average)¹⁰ Average Accuracy = Accuracy of selected Channel Range + Accuracy of Paired Channel Range

TEMPERATURE¹⁹

(Displayed in °C, °F, or K. Exclusive of probe errors.)

Thermocouples (Accuracy based on ITS-90.)

Type	Range	Resolution	90 Day/1 Year (23°C ± 5°C)		Temperature Coefficient 0°–18°C & 28°–50°C
			Relative to Simulated Reference Junction	Using 77xx Module	
J	–200 to +760 °C	0.001°C	0.2°C	1.0°C	0.03°C/°C
K	–200 to +1372°C	0.001°C	0.2°C	1.0°C	0.03°C/°C
N	–200 to +1300°C	0.001°C	0.2°C	1.0°C	0.03°C/°C
T	–200 to +400°C	0.001°C	0.2°C	1.0°C	0.03°C/°C
E	–200 to +1000°C	0.001°C	0.2°C	1.0°C	0.03°C/°C
R	0 to +1768°C	0.1 °C	0.6°C	1.8°C	0.03°C/°C
S	0 to +1768°C	0.1 °C	0.6°C	1.8°C	0.03°C/°C
B	+350 to +1820°C	0.1 °C	0.6°C	1.8°C	0.03°C/°C

4-Wire RTD:

(100Ω platinum [PT100], D100, F100, PT385, PT3916, or user type. Offset compensation On)

–200° to 630°C	0.01 °C	0.06°C	0.003°C/°C
----------------	---------	--------	------------

Thermistor: (2.2kΩ, 5kΩ, and 10kΩ)²⁰

–80° to 150°C	0.01 °C	0.08°C	0.002°C/°C
---------------	---------	--------	------------

DC SYSTEM SPEEDS^{15,18}

RANGE CHANGES¹⁶: 50/s (42/s) (excludes 4 Wire Ohms).

FUNCTION CHANGES¹⁶: 50/s (42/s).

AUTORANGE TIME¹⁶: <30ms.

ASCII READINGS TO RS-232 (115.2k BAUD): 300/s.

MAX. EXTERNAL TRIGGER RATE: 2000/s.

DC MEASUREMENT SPEEDS¹⁵

Single Channel, 60Hz (50Hz) Operation

FUNCTION	DIGITS	READINGS/s	PLCs
DCV, DCI, Ω (<10M), Thermocouple, Thermistor	6.5 ^{12,16}	5 (4)	10
	6.5 ¹⁶	35 (28)	1
	6.5 ^{12,16}	50 (48)	1
	5.5 ^{12,16}	150 (120)	0.1
	5.5 ^{16,17}	300 (240)	0.1
	5.5 ¹⁷	500 (400)	0.1
	4.5 ¹⁷	3000 (3000)	0.006
	3.5 ¹⁷	3500 (3500)	0.002
4WΩ (<10M)	6.5 ¹⁶	1.4 (1.1)	10
	6.5 ¹⁶	15 (12)	1
	5.5 ^{16,17}	33 (25)	0.1
4WΩ OComp, RTD	6.5 ^{16,17}	0.9 (0.7)	10
	6.5 ^{16,17}	8 (6.4)	1
	5.5 ^{16,17}	18 (14.4)	0.1
Channel (Ratio), Channel (AVG)	6.5 ^{16,17}	2.5 (2)	10
	6.5 ^{16,17}	15 (12)	1
	5.5 ^{16,17}	25 (20)	0.1

Multiple Channels Into Memory^{15,18}

7710 Scanning DCV	500/s
7703 Scanning DCV	390/s
7703 Scanning DCV with Limits or Time Stamp On	390/s
7703 Scanning DCV alternating 2WΩ	95/s

Multiple Channels, Into and Out of Memory^{15,16,17,18}

	Channels/s
7710 Scanning DCV	440/s
7703 Scanning DCV	360/s
7703 Scanning DCV with Limits or Time Stamp On	360/s
7703 Scanning DCV alternating 2WΩ	90/s
7702 Scanning DCV	75/s
7700 and 7708 Scanning Temperature (T/C)	60/s

2701 Ethernet Multimeter/Data Acquisition System

DC SPEED vs. NOISE REJECTION

Rate	Filter	Readings/s ¹²	Digits	RMS Noise		
				10V Range	NMRR	CMRR ¹⁴
10	50	0.1 (0.08)	6.5	< 2.5 μ V	110 dB ¹³	140 dB
1	Off	15 (12)	6.5	< 6 μ V	90 dB ¹³	140 dB
0.1	Off	500 (400)	5.5	< 40 μ V	—	80 dB
0.006	Off	3000 (3000)	4.5	< 300 μ V	—	80 dB
0.002	Off	3500 (3500)	3.5	< 1mV	—	60dB

DC MEASUREMENT CHARACTERISTICS

DC Volts

A-D LINEARITY: 2.0 ppm of reading + 1.0 ppm of range.

INPUT IMPEDANCE:

100mV–10V Ranges: Selectable >10G Ω // with <400pF or 10M Ω \pm 1%.
100V, 1000V Ranges: 10M Ω \pm 1%.

EARTH ISOLATION: 500V peak, >10G Ω and <300pF any terminal to chassis.

INPUT BIAS CURRENT: <75pA at 23°C.

COMMON MODE CURRENT: <500nApp at 50Hz or 60Hz.

AUTOZERO ERROR: Add \pm (2ppm of range error + 5 μ V) for < 10 minutes and \pm 1°C.

INPUT PROTECTION: 1000V, all ranges. 300V with plug in modules.

Resistance

MAX 4W Ω LEAD RESISTANCE: 10% of range per lead for 100 Ω , and 1k Ω ranges; 1k Ω per lead for all other ranges.

OFFSET COMPENSATION: Selectable on 4W Ω , 100 Ω , 1k Ω , and 10k Ω ranges.

CONTINUITY THRESHOLD: Adjustable 1 to 1000 Ω

INPUT PROTECTION: 1000V, all Source Inputs, 350V Sense Inputs. 300V with plug-in modules.

DC Current

SHUNT RESISTORS: 100mA–3A, 0.1 Ω . 20mA, 5 Ω .

INPUT PROTECTION: 3A, 250V fuse.

Thermocouples

CONVERSION: ITS-90.

REFERENCE JUNCTION: Internal, External, or Simulated (Fixed).

OPEN CIRCUIT CHECK: Selectable per channel. Open >11.4k \pm 200 Ω .

DC Notes

- 20% overrange except on 1000V and 3A.
- Add the following to "ppm of range" uncertainty; 100mV 15ppm; 1V and 100V 2ppm; 100 Ω 30ppm; 1k \rightarrow 1M Ω 2ppm, 20mA and 1A 10ppm, 100mA 40ppm.
- \pm 2% (measured with 10M Ω input resistance DMM, >10G Ω DMM on 10M Ω and 100M Ω ranges).
- Relative to calibration accuracy.
- For signal levels >500V, add 0.02ppm/V uncertainty for portion exceeding 500V.
- Specifications are for 4-wire Ω , 100 Ω with offset compensation on, with 77x plug-in modules, with Lsync on and with offset compensation on, OPEN CKT. VOLTAGE is 12.8V. For 2-wire Ω add 1.0 Ω to "ppm of range" uncertainty.
- Must have 10% matching of lead resistance in Input HI and LO.
- Add the following to "ppm of reading" uncertainty when using plug in modules:

	10 k Ω	100 k Ω	1 M Ω	10 M Ω	100 M Ω
All Modules:				220 ppm	2200 ppm
7701, 7703, 7707, 7709 Modules:	10 ppm	100 ppm	1000 ppm	1%	10%
7706, 7708 Modules:	5 ppm	50 ppm	500 ppm	5000 ppm	5%
- Add 1.0V when used with plug in modules.
- For RATIO, DCV only. For AVERAGE, DCV and Thermocouples only. Available with plug in modules only.
- Add 6 μ V to "of range" uncertainty when using Models 7701, 7703, and 7707, and 3 μ V for Models 7706 and 7709.
- Auto zero off.
- For LSYNC On, line frequency \pm 0.1 %. For LSYNC Off, use 60dB for \geq 1PLC.
- For 1k Ω unbalance in LO lead.
- Speeds are for 60Hz (50Hz) operation using factory defaults operating conditions (*RST). Autorange off, Display off, Limits off, Trigger delay = 0.
- Speeds include measurements and data transfer out the ethernet (reading element only). (100BaseT Ethernet, 3 meter RJ-45 crossover cable, PIII-800, Windows version 98 SE, VB version 6.0, direct Winsocket interface).
- Sample count = 1000 (into memory buffer), auto zero off.
- Auto zero off, NPLC = 0.002.
- Additional Uncertainty

		Plug-In Modules				
Type	Range	Front Terminals Simulated Ref. Junction	7709 Simulated Ref. Junction	7701, 7703, 7707 Simulated Ref. Junction	7700, 7708, 7710 Using CJC	7706 Using CJC
J	-200 to 0°C	0.1	0.1	0.3	0.8	1.6
K	-200 to 0°C	0.2	0.2	0.4	0.8	1.6
N	-200 to 0°C	0.3	0.3	0.6	0.8	1.6
T	-200 to 0°C	0.2	0.1	0.4	0.8	1.6
E	-200 to 0°C	—	0.1	0.3	0.8	1.6
R	0 to +400°C	0.4	0.6	1.2	0.5	1.0
S	0 to +400°C	0.4	0.6	1.2	0.5	1.0
B	+350 to +1100°C	0.8	0.3	1.7	0.5	1.0

- For lead resistance >0 Ω , add the following uncertainty/ Ω for measurement temperatures of:

	70°–100°C	100°–150°C
2.2 kΩ (44004)	0.22°C	1.11°C
5.0 kΩ (44007)	0.10°C	0.46°C
10 kΩ (44006)	0.04°C	0.19°C

- Front panel resolution is limited to 0.1 Ω .

AC SPECIFICATIONS¹

Function	Range	Resolution	Calibration Cycle	Accuracy: \pm (% of reading + % of range), 23°C \pm 5°C					
				3 Hz–10 Hz	10 Hz–20 kHz ^a	20 kHz–50 kHz	50 kHz–100 kHz	100 kHz–300 kHz	
Voltage²	100.0000 mV	0.1 μ V	90 Days	0.35 + 0.03	0.05 + 0.03	0.11 + 0.05	0.6 + 0.08	4.0 + 0.5	
	1.000000 V	1.0 μ V							
	10.00000 V	10 μ V	1 Year (all ranges)	0.35 + 0.03	0.06 + 0.03	0.12 + 0.05	0.6 + 0.08	4.0 + 0.5	
	100.0000 V	100 μ V							
	750.000 V	1.0 mV							
(Temp. Coeff.)/$^{\circ}$C³				0.035 + .003	0.005 + .003	0.006 + .005	0.01 + .006	0.03 + .01	
Current²	1.000000 A	1.0 μ A	90 Day/1 Yr.	0.35 + 0.06	0.15 + 0.06	0.14 + 0.04	0.14 + 0.04	0.18 + 0.06	
	3.00000 A	10 μ A							
	(Temp. Coeff.)/$^{\circ}$C³				0.035 + 0.006	0.015 + 0.006			
	Accuracy \pm (ppm of reading + offset ppm) (3 Hz–500 kHz) (333 ms–2 μ s)								
Frequency⁴ and Period	100 mV	0.333 ppm	90 Day/ 1 Yr.	100 ppm + 0.333 ppm (SLOW, 1s gate)					
	to	3.33 ppm		100 ppm + 3.33 ppm (MED, 100ms gate)					
	750 V	33.3 ppm		100 ppm + 33.3 ppm (FAST, 10ms gate)					

2701 Ethernet Multimeter/Data Acquisition System

Additional Uncertainty ±(% of reading)

Low Frequency Uncertainty	MED	FAST
20 Hz - 30 Hz	0.3	—
30 Hz - 50 Hz	0	—
50 Hz - 100 Hz	0	1.0
100 Hz - 200 Hz	0	0.18
200 Hz - 300 Hz	0	0.10
>300 Hz	0	0

CREST FACTOR: 5 1 -2 2 -3 3 -4 4 -5

Additional Uncertainty: 0.05 0.15 0.30 0.40

Maximum Crest Factor: 5 at full-scale.

AC MEASUREMENT CHARACTERISTICS

AC Volts

MEASUREMENT METHOD: AC-coupled, True RMS.

INPUT IMPEDANCE: 1MΩ ±2% // by <100pF.

INPUT PROTECTION: 1000Vp or 400VDC. 300Vrms with plug in modules.

AC Current

MEASUREMENT METHOD: AC-coupled, True RMS.

SHUNT RESISTANCE: 0.1Ω.

BURDEN VOLTAGE: 1A <0.5Vrms, 3A <1.5Vrms. Add 1.5Vrms when used with plug in modules.

INPUT PROTECTION: 3A, 250V fuse.

Frequency and Period⁴

MEASUREMENT METHOD: Reciprocal Counting technique.

GATE TIME: SLOW 1s, MED 100ms, and FAST 10ms.

AC General

AC CMRR⁵: 70dB.

VOLT HERTZ PRODUCT: <= 8 × 10⁷.

AC MEASUREMENT SPEEDS^{7,13}

Single Channel, 60Hz (50Hz) Operation

Function	Digits	Readings/s	Rate	Bandwidth
ACV, ACI	6.5	2s/Reading	SLOW	3 Hz–300 kHz
	6.5	4.8 (4)	MED	30 Hz–300 kHz
	6.5 ⁹	40 (32)	FAST	300 Hz–300 kHz
Frequency,	6.5	1 (1)	SLOW	3 Hz–300 kHz
Period	5.5	9 (9)	MED	30 Hz–300 kHz
	4.5	35 (35)	FAST	300 Hz–300 kHz
	4.5 ¹⁰	65 (65)	FAST	300 Hz–300 kHz

Multiple Channel^{10,11}

7703 SCANNING ACV: 180/s.

7703 Scanning ACV with Auto Delay on: 2s/reading.

AC SYSTEM SPEEDS^{7,9,11}

RANGE CHANGES¹²: 4/s (3/s).

FUNCTION CHANGES¹²: 4/s (3/s).

AUTORANGE TIME: < 3s.

ASCII READINGS TO RS-232 (115.2k baud): 300/s.

MAX. EXTERNAL TRIGGER RATE: 2000/s.

Specifications are subject to change without notice.

AC Notes

- 1.20 % overrange except on 750V and 3A.
2. Specification are for SLOW mode and sine wave inputs >5% of range. SLOW and MED are multi-sample A/D conversions. FAST is DETECTOR:BANDwidth 300 with nPLC = 1.0.
3. Applies to 0°–18°C and 28°–50°C.
4. For square wave inputs >10% of ACV range, except 100mV range. 100mV range frequency must be >10Hz if input is <20mV.
5. Applies to non-sine waves >5Hz and <500Hz. Crest factor greater than 4.3 is guaranteed by design only.
6. For 1kΩ unbalance in LO lead.
7. Speeds are for 60Hz (50Hz) operation using factory defaults operating conditions (*RST). Autorange off, Display off, Limits off, Trigger delay=0.
8. For ACV inputs at frequencies of 50 or 60Hz (±10%) add the following to “% of Range” uncertainty: 100mV 0.25%, 1V 0.05%, 10V 0.13%, 100V 0.03%, 750V 0.01%.
9. Auto Zero off.
10. Sample count = 1000.
11. DETECTOR:BANDwidth 300 with nPLC = 0.006.
12. Maximum useful limit with trigger delay = 175ms.
13. Includes measurement and data transfer out ethernet (Reading Element only). (100bTx Ethernet, 3 meter RJ-45 crossover cable, PIII-800, Windows version 98 SE, VB version 6.0, direct Winsocket interface).

GENERAL SPECIFICATIONS:

EXPANSION SLOTS: 2.

POWER SUPPLY: 100V / 120V / 220V / 240V ±10%.

LINE FREQUENCY: 45Hz to 66Hz and 360Hz to 440Hz, automatically sensed at power-up.

POWER CONSUMPTION: 80VA.

OPERATING ENVIRONMENT: Specified for 0°C to 50°C. Altitude <2000m above Sea Level. Specified to 80% RH at 35°C.

STORAGE ENVIRONMENT: –40°C to 70°C.

BATTERY: Lithium Ion battery-backed memory, 30 days of buffer storage @ 23°C and >4 hours charge time. Battery lifetime: 3 years @ 23°C, 1.5 years @ 50°C.

WARRANTY: 3 years, excludes battery.

EMC: Conforms to European Union Directive 89/336/EEC EN61326-1.

SAFETY: Conforms to European Union Directive 73/23/EEC EN61010-1.

VIBRATION: MIL-PRF-28800F Class 3, Random.

WARM-UP: 2 hours to rated accuracy.

DIMENSIONS:

Rack Mounting: 89mm high × 213mm wide × 370mm deep (3.5 in × 8.375 in × 14.563 in).

Bench Configuration (with handle and feet): 104mm high × 238mm wide × 370mm deep (4.125 in × 9.375 in × 14.563 in).

SHIPPING WEIGHT: 4.75kg (10 lbs.).

DIGITAL I/O: 2 inputs, 1 for triggering and 1 for hardware interlock.

5 outputs, 4 for Reading Limits and 1 for Master Limit. Outputs are TTL compatible or can sink 250mA, diode clamped to 40V.

TRIGGERING AND MEMORY:

Window Filter Sensitivity: 0.01%, 0.1 %, 1%, 10%, or Full-scale of range (none).

Reading Hold Sensitivity: 0.01%, 0.1 %, 1%, or 10% of reading.

Trigger Delay: 0 to 99 hrs (1ms step size).

External Trigger Delay: <1ms.

Memory Size: 450,000 readings.

MATH FUNCTIONS: Rel, Min/Max/Average/Std Dev/Peak-to-Peak (of stored reading), Limit Test, %, 1/x, and mX + b with user defined units displayed.

REMOTE INTERFACE:

Ethernet: RJ-45 connector, TCP/IP (Auto sensed 10bT or 100bTX) and RS-232C.

SCPI (Standard Commands for Programmable Instruments)

ACCESSORIES SUPPLIED: Model 1751 Safety Test Leads, Product Information CD-ROM, Model 2701 Networking Manual, Model 2701 Getting Started Foldout, 3m cross over ethernet cable. Software CD-ROM with IVI/VISA drivers for VB, VC/C++, LabVIEW, TestPoint, and LabWindows/CVI, and free runtime startup software.

ACCESSORIES AVAILABLE:

- 77XX Modules
- Extended Warranty
- ExcelINX-1A (Excel add-in datalogger software)
- TestPoint™ Software Development Package

IP CONFIGURATION: Static or DHCP

PASSWORD PROTECTION: 11 characters

SOFTWARE: Windows 98, NT, 2000, ME, and XP compatible, Internet Explorer 5.0 or higher required. Web pages served by 2701.

7700 20-Channel Differential Multiplexer w/Automatic CJC

GENERAL

20 CHANNELS: 20 channels of 2-pole relay input. All channels configurable to 4-pole.

2 CHANNELS: 2 channels of current only input.

RELAY TYPE: Latching electromechanical.

ACTUATION TIME: <3ms.

CAPABILITIES

CHANNELS 1-20: Multiplex one of 20 2-pole or one of 10 4-pole signals into DMM.

CHANNELS 21-22: Multiplex one of 2 2-pole current signals into DMM.

INPUTS

MAXIMUM SIGNAL LEVEL:

Channels (1-20): 300V DC or rms, 1A switched, 60W, 125VA maximum.

Channels (21-22): 60V DC or 30V rms, 3A switched, 60W, 125VA maximum.

CONTACT LIFE (typ): >10⁵ operations at max signal level.
>10⁸ operations cold switching.

CONTACT RESISTANCE: <1Ω at end of contact life.

CONTACT POTENTIAL: <±500nV typical per contact, 1μV max.
<±500nV typical per contact pair, 1μV max.

OFFSET CURRENT: <100pA.

CONNECTOR TYPE: Screw terminal, #20 AWG wire size.

ISOLATION BETWEEN ANY TWO TERMINALS: >10¹⁰Ω, <100pF.

ISOLATION BETWEEN ANY TERMINAL AND EARTH: >10⁹Ω, <200pF.

CROSS TALK (10MHz, 50Ω Load): <-40dB.

INSERTION LOSS (50Ω Source, 50Ω Load): <0.1dB below 1MHz.
<3dB below 2MHz.

COMMON MODE VOLTAGE: 300V between any terminal and chassis.

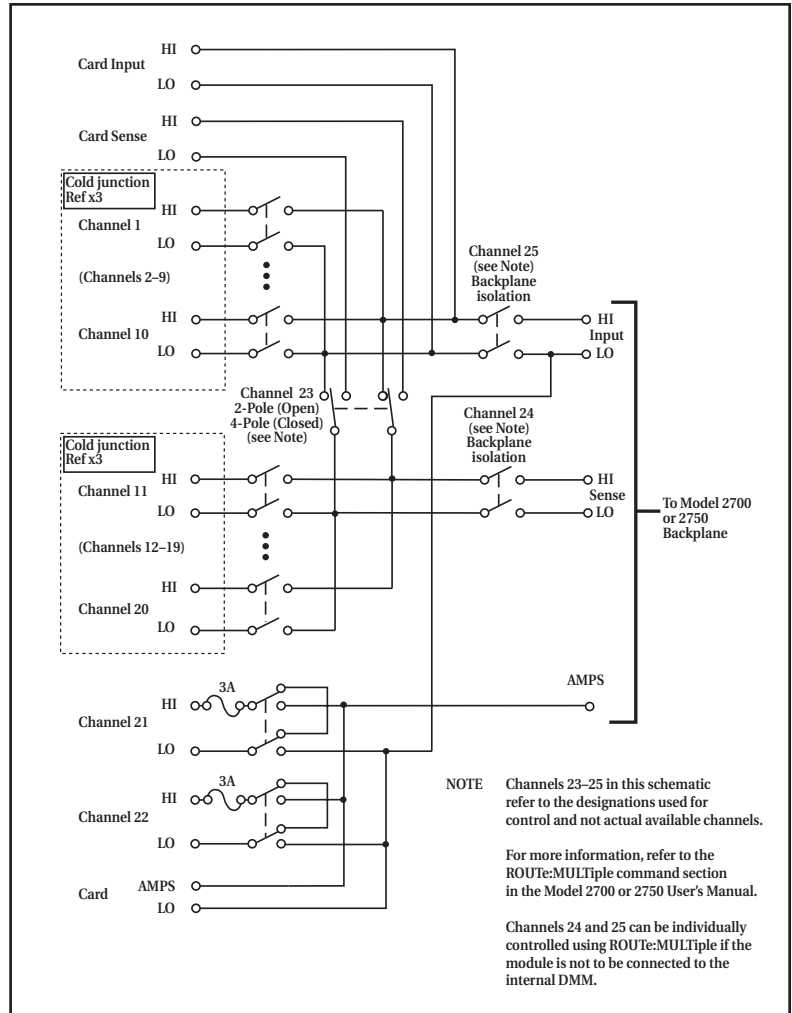
T/C COLD JUNCTION: 1.0°C (18°-28°C Mainframe Temp)
1.5°C (0°-18°C & 28°-50°C Mainframe Temp).

ENVIRONMENTAL:

OPERATING ENVIRONMENT: Specified for 0°C to 50°C.
Specified to 80% R.H. at 35°C.

STORAGE ENVIRONMENT: -25°C to 65°C.

WEIGHT: 0.45kg (1 lb).



Accuracy calculations

The information below discusses how to calculate accuracy for both DC and AC characteristics.

Calculating DC characteristics accuracy

DC characteristics accuracy is calculated as follows:

$$\text{Accuracy} = \pm(\text{ppm of reading} + \text{ppm of range})$$

(ppm = parts per million and 10ppm = 0.001%)

As an example of how to calculate the actual reading limits, assume that you are measuring 5V on the 10V range. You can compute the reading limit range from one-year DCV accuracy specifications as follows:

$$\begin{aligned} \text{Accuracy} = & \pm(30\text{ppm of reading} + 5\text{ppm of range}) \\ & \pm[(30\text{ppm} \times 5\text{V}) + (5\text{ppm} \times 10\text{V})] \\ & \pm(150\mu\text{V} + 50\mu\text{V}) \\ & \pm 200\mu\text{V} \end{aligned}$$

Thus, the actual reading range is: $5\text{V} \pm 200\mu\text{V}$ or from 4.9998V to 5.0002V.

DC current and resistance calculations are performed in exactly the same manner using the pertinent specifications, ranges, and input signal values.

Calculating AC characteristics accuracy

AC characteristics accuracy is calculated similarly, except that AC specifications are given as follows:

$$\text{Accuracy} = \pm(\% \text{ of reading} + \% \text{ of range})$$

As an example of how to calculate the actual reading limits, assume that you are measuring 120V, 60Hz on the 750V range. You can compute the reading limit range from ACV one-year accuracy specifications as follows:

$$\begin{aligned} \text{Accuracy} = & \pm(0.06\% \text{ of reading} + 0.03\% \text{ of range}) \\ & \pm[(0.0006 \times 120\text{V}) + (0.0003 \times 750\text{V})] \\ & \pm(0.072\text{V} + 0.225\text{V}) \\ & \pm 0.297\text{V} \end{aligned}$$

In this case, the actual reading range is: $120\text{V} \pm 0.297\text{V}$ or from 119.703V to 120.297V.

AC current calculations are performed in exactly the same manner using the pertinent specifications, ranges, and input signal values.

Calculating dBm characteristics accuracy

As an example of how to calculate the actual reading limits for a 13dBm measurement with a reference impedance of 50Ω , assume an applied signal 0.998815V. The relationship between voltage and dBm is as follows:

$$\text{dBm} = 10 \log \frac{V_{\text{IN}}^2 / R_{\text{REF}}}{1\text{mW}}$$

From the previous example on calculating DC characteristics accuracy, it can be shown that a measurement of 0.998815V on the 1V range has an uncertainty of $\pm 36.9644\text{mV}$ or 0.998778V to 0.998852V, using one-year specifications.

Expressing 0.998778V as dBm:

$$\text{dBm} = 10 \log \frac{(0.998778\text{V})^2 / 50\Omega}{1\text{mW}} = 12.99968\text{dBm}$$

and expressing 0.998852V as dBm:

$$\text{dBm} = \frac{(0.998852\text{V})^2 / 50\Omega}{1\text{mW}} = 13.00032\text{dBm}$$

Thus, the actual reading range is 13dBm $\pm 0.00032\text{dBm}$.

dBm and dB for other voltage inputs can be calculated in exactly the same manner using pertinent specifications, ranges, and reference impedances.

Calculating dB characteristics accuracy

The relationship between voltage and dB is as follows:

$$\text{dB} = 20 \log \frac{V_{\text{IN}}}{V_{\text{REF}}}$$

As an example of how to calculate the actual readings limits for dB, with a user-defined VREF of 10V, you must calculate the voltage accuracy and apply it to the above equation.

To calculate a -60dB measurement, assume 10mV RMS for a VREF of 10V. Using the 100mV range, one-year, 10Hz - 20kHz frequency band, and SLOW rate, the voltage limits are as follows:

$$\begin{aligned} \text{Accuracy} = & \pm[(0.06\% \text{ of reading}) + (0.03\% \text{ of range})] \\ & \pm[(0.0006 \times 10\text{mV}) + (0.0003 \times 100\text{mV})] \\ & \pm[6\mu\text{V} + 30\mu\text{V}] \\ & \pm 36\mu\text{V} \end{aligned}$$

Thus, the actual reading accuracy is 10mV \pm 36mV or 10.036mV to 9.964mV. Applying the voltage reading accuracy into the dB equation yields:

$$\text{dBm} = 20 \log \frac{10.036\text{mV}}{10\text{V}} = -59.96879\text{dB}$$

$$\text{dBm} = 20 \log \frac{9.964\text{mV}}{10\text{V}} = -60.03133\text{dB}$$

Thus, the actual reading accuracy is -60dB + 0.031213dB to -60dB - 0.031326dB.

dBm and dB for other voltage inputs can be calculated in exactly the same manner using pertinent specifications, ranges, and other reference voltages.

Additional derating factors

In some cases, additional derating factors must be applied to calculate certain accuracy values. For example, an additional derating factor of 0.02ppm/V must be added to DCV specifications for voltages over 500V. Before calculating accuracy, study the associated specifications very carefully to see if any derating factors apply.

Optimizing measurement accuracy

The configurations listed below assume that the multimeter has had factory setups restored.

DC voltage, DC current, and resistance:

- Select 6½ digits, 10 PLC, filter ON (up to 100 readings), fixed range.
- Use REL on DC voltage and 2-wire resistance measurements.
- Use 4-wire resistance measurements for best accuracy.

AC voltage and AC current:

- Select 6½ digits, 10 PLC, filter ON (up to 100 readings), fixed range.

Temperature:

- Select 6½ digits, 10 PLC, filter ON (up to 100 readings).

Optimizing measurement speed

The configurations listed below assume that the multimeter has had factory setups restored.

DC voltage, DC current, and resistance:

- Select 3½ digits, 0.01 PLC, filter OFF, fixed range.

AC voltage and AC current:

- Select 3½ digits, 0.01 PLC, filter OFF, fixed range.

Temperature:

- Select 3½ digits, 0.01 PLC, filter OFF.

For all functions, turn off the display and autozero, and set the trigger delay to zero. Use the :SAMPle:COUNT and READ? bus commands.

B

Calibration Reference

Introduction

This appendix contains detailed information about the various Model 2701 remote calibration commands. Section 2 of this manual covers detailed calibration procedures. For information about additional commands to control other instrument functions, refer to the Model 2701 User's Manual.

Command summary

Table B-1 summarizes Model 2701 calibration commands.

Table B-1

Remote calibration command summary

Command	Description
:CALibration	Calibration root command.
:PROtected	All commands in this subsystem are protected by the calibration lock (except queries and :CODE).
:CODE <up to 8 char. string>	Calibration code or password (default: KI002701).
:COUNT?	Request the number of times the unit has been calibrated.
:INITiate	Initiate calibration.
:LOCK	Lock out calibration (opposite of enabling cal with :CODE command).
:LOCK?	Request comprehensive cal lock state (0 = locked; 1 = unlocked).
:SAVE	Save cal constants to EEROM.
:DATE <year>, <month>, <day>	Send cal date to 2701.
:DATE?	Request cal date from 2701.
:NDUE <year>, <month>, <day>	Send next due cal date to 2701.
:NDUE?	Request next due cal date from 2701.
:DATA?	Request calibration constants data.
:DC	DC cal steps.
:STEP0	Rear scanner terminals short step ¹ .
:STEP1	Front terminal short circuit.
:STEP2	Open circuit.
:STEP3 <NRf>	10V DC step.
:STEP4 <NRf>	-10V DC step.
:STEP5 <NRf>	100V DC step.
:STEP6 <NRf>	1k Ω 4-wire step.
:STEP7 <NRf>	10k Ω 4-wire step.
:STEP8 <NRf>	100k Ω 4-wire step.

Table B-1 (Continued)
 Remote calibration command summary

Command	Description
:CALibration	
:PROTected	
:DC	
:STEP9 <NRf>	1M Ω 4-wire step.
:STEP10 <NRf>	10mA DC step.
:STEP11 <NRf>	100mA DC step.
:STEP12 <NRf>	1A DC step.
:AC	AC cal steps.
:STEP1	10mV AC at 1kHz step.
:STEP2	100mV AC at 1kHz step.
:STEP3	100mV AC at 50kHz step.
:STEP4	1V AC at 1kHz step.
:STEP5	1V AC at 50kHz step.
:STEP6	10V AC at 1kHz step.
:STEP7	10V AC at 50kHz step.
:STEP8	100V AC at 1kHz step.
:STEP9	100V AC at 50kHz step.
:STEP10	700V AC at 1kHz step.
:STEP11	100mA AC at 1kHz step.
:STEP12	1A AC at 1kHz step.
:STEP13	2A AC at 1kHz step.
:STEP14	1V AC at 3Hz step ¹ .
:STEP15	1V AC at 1kHz step ¹ .

NOTE: Upper-case letters indicated short form of each command. For example, instead of sending “:CALibration:PROTected:INITiate,” you can send “:CAL:PROT:INIT.”

¹ DC:STEP0, AC:STEP14, and AC:STEP15 are one-time factory calibration points and are valid only in manufacturing calibration mode.

Miscellaneous calibration commands

Miscellaneous commands perform miscellaneous calibration functions such as programming the calibration code and date. These commands are discussed in detail in the following paragraphs.

:CODE

(:CALibration:PROTected:CODE)

Purpose	To program the calibration code or password so that you can perform the calibration procedures.
Format	:cal:prot:code '<char_string>'
Parameter	Up to a 8-character string including letters and numbers.
Description	The :CODE command enables the Model 2701 calibration procedures when performing these procedures over the bus. In general, this command must be sent to the unit before sending any other comprehensive or manufacturing calibration command. The default calibration code is KI002701.

NOTES *The :CODE command should be sent only once before performing either the comprehensive or factory calibration. Do not send :CODE before each calibration step.*

To change the code, first send the present code, then send the new code.

The code parameter must be enclosed in single quotes.

Example :CAL:PROT:CODE 'KI002701' Send default code of KI002701.

:COUNT?

(:CALibration:PROTected:COUNT?)

Purpose	To determine how many times the Model 2701 has been calibrated.
Format	:cal:prot:coun?
Response	<n> Calibration count.
Description	The :COUNT? command allows you to determine how many times the Model 2701 has been calibrated.

NOTE *Use the :COUNT? command to help you monitor for unauthorized calibration procedures.*

Example :CAL:PROT:COUNT? Request calibration count.

:INIT

(:CALibration:PROTeCted:INITiate)

Purpose	To initiate comprehensive and factory calibration procedures.
Format	:cal:prot:init
Parameter	None
Description	The :INIT command enables Model 2701 calibration when performing these procedures over the bus. This command must be sent to the unit after sending the :CODE command, but before sending any other calibration command.

NOTE The :INIT command should be sent only once before performing either DC, AC, or factory calibration. Do not send :INIT before each calibration step.

Example	:CAL:PROT:INIT	Initiate calibration.
----------------	----------------	-----------------------

:LOCK

(:CALibration:PROTeCted:LOCK)

Purpose	To lock out comprehensive or manufacturing calibration.
Format	:cal:prot:lock
Parameter	None
Description	The :LOCK command allows you to lock out both comprehensive and manufacturing calibration after completing those procedures. Thus, :LOCK performs the opposite of enabling calibration with the :CODE command.

NOTE To unlock comprehensive calibration, send the :CODE command. To unlock manufacturing calibration, hold in the OPEN key while turning on the power.

Example	:CAL:PROT:LOCK	Lock out calibration.
----------------	----------------	-----------------------

:LOCK?**(:CALibration:PROTected:LOCK?)**

Purpose	To read comprehensive calibration lock status.	
Format	:cal:prot:lock?	
Response	0	Comprehensive calibration locked.
	1	Comprehensive calibration unlocked.
Description	The :LOCK? query requests status from the Model 2701 on calibration locked/unlocked state. Calibration must be enabled sending the :CODE command before calibration can be performed.	
Example	:CAL:PROT:LOCK?	Request cal lock state.

:SAVE**(:CALibration:PROTected:SAVE)**

Purpose	To save calibration constants in EEROM after the calibration procedure.	
Format	:cal:prot:save	
Parameter	None	
Description	The :SAVE command stores internally calculated calibration constants derived during both comprehensive and manufacturing calibration in EEROM. (EEROM is non-volatile memory.) Calibration constants will be retained indefinitely once saved. Generally, :SAVE is sent after all other calibration steps (except for :LOCK).	

NOTE Calibration will be only temporary unless the :SAVE command is sent to permanently store calibration constants.

Example	:CAL:PROT:SAVE	Save calibration constants.
----------------	----------------	-----------------------------

:DATE**(:CALibration:PROTected:DATE)**

Purpose	To send the calibration date to the instrument.	
Format	:cal:prot:date <year>, <month>, <day>	
Parameter	<year> = 1999 to 2098 <month> = 1 to 12 <day> = 1 to 31	
Query format	:cal:prot:date?	
Response	<year>, <month>, <day>	
Description	The :DATE command allows you to store the calibration date in instrument memory for future reference. You can read back the date from the instrument over the bus by using the :DATE? query or the CALIBRATION selection in the front panel CAL menu.	

NOTE The year, month, and day parameters must be delimited by commas.

Example	:CAL:PROT:DATE 1999,12,16	Send cal date (12/16/1999).
	:CAL:PROT:DATE?	Request cal date.

:NDUE**(:CALibration:PROTected:NDUE)**

Purpose	To send the next calibration due date to the instrument.	
Format	:cal:prot:ndue <year>, <month>, <day>	
Parameter	<year> = 1999 to 2098 <month> = 1 to 12 <day> = 1 to 31	
Query format	:cal:prot:ndue?	
Response	<year>, <month>, <day>	
Description	The :NDUE command allows you to store the date when calibration is next due in instrument memory. You can read back the next due date from the instrument over the bus by using the :NDUE? query or the front panel CAL menu.	

NOTE The next due date parameters must be delimited by commas.

Example	:CAL:PROT:NDUE 2000,12,16	Send due date (12/16/2000).
	:CAL:PROT:NDUE?	Request due date.

:DATA?**(:CALibration:PROTECTED:DATA?)**

Purpose	To read calibration constants data.	
Format	:cal:prot:data?	
Response	Floating-point, ASCII values separated by commas.	
Description	The :DATA? query requests all the calibration constants. Values are returned in one string of ASCII floating-point values delimited by commands.	
Example	:CAL:PROT:DATA?	Request cal constants.

DC calibration commands

The :DC commands perform calibration of the DCV, DCI, and ohms functions. [Table B-2](#) summarizes these calibration commands along with parameter limits.

Table B-2
DC calibration commands

Command	Description	Parameter limits
:CALibration		
:PROTected		
:DC		
:STEP1	Front terminal short circuit.	
:STEP2	Open circuit.	
:STEP3 <NRf>	10V DC calibration step.	9 to 11
:STEP4 <NRf>	-10V DC calibration step.	-9 to -11
:STEP5 <NRf>	100V DC calibration step.	90 to 110
:STEP6 <NRf>	1k Ω 4-wire calibration step.	900 to 1.1E3
:STEP7 <NRf>	10k Ω 4-wire calibration step.	9E3 to 11E3
:STEP8 <NRf>	100k Ω 4-wire calibration step.	90E3 to 110E3
:STEP9 <NRf>	1M Ω 4-wire calibration step.	900E3 to 1.1E6
:STEP10 <NRf>	10mA DC calibration step.	9E-3 to 11E-3
:STEP11 <NRf>	100mA DC calibration step.	90E-3 to 110E-3
:STEP12 <NRf>	1A DC calibration step.	0.9 to 1.1

:STEP1

(:CALibration:PROTected:DC:STEP1)

Purpose	To perform front terminal short-circuit calibration.	
Format	:cal:prot:dc:step1	
Parameter	None	
Description	:STEP1 performs the short-circuit calibration step in the comprehensive calibration procedure. Connect a low-thermal short (Model 8610) to the front panel input jacks before sending this command.	
Example	:CAL:PROT:DC:STEP1	Perform short-circuit calibration.

:STEP2

(:CALibration:PROTeCted:DC:STEP2)

Purpose	To perform front terminal open-circuit calibration.	
Format	:cal:prot:dc:step2	
Parameter	None	
Description	:STEP2 performs the open-circuit calibration step in the comprehensive calibration procedure. Disconnect all cables and accessories from the input jacks before sending this command.	
Example	:CAL:PROT:DC:STEP2	Perform open circuit calibration.

:STEP3

(:CALibration:PROTeCted:DC:STEP3)

Purpose	To program the +10V comprehensive calibration step.	
Format	:cal:prot:dc:step3 <Cal_voltage>	
Parameter	<Cal_voltage> = 9 to 11 [V]	
Description	:STEP3 programs the +10V DC comprehensive calibration step. The allowable range of the calibration voltage parameter is from 9 to 11, but 10 is recommended for best results.	
Example	:CAL:PROT:DC:STEP3 10	Program 10V step.

:STEP4

(:CALibration:PROTeCted:DC:STEP4)

Purpose	To program the -10V DC comprehensive calibration step.	
Format	:cal:prot:dc:step4 <Cal_voltage>	
Parameter	<Cal_voltage> = -9 to -11 [V]	
Description	:STEP4 programs the -10V DC comprehensive calibration step. The allowable range of the calibration voltage parameter is from -9 to -11, but -10 is recommended for best results.	
Example	:CAL:PROT:DC:STEP4 -10	Program -10V step.

:STEP5

(:CALibration:PROTeCted:DC:STEP5)

Purpose	To program the 100V DC comprehensive calibration step.	
Format	:cal:prot:dc:step5 <Cal_voltage>	
Parameter	<Cal_voltage> = 90 to 110 [V]	
Description	:STEP5 programs the 100V DC comprehensive calibration step. The allowable range of the calibration voltage parameter is from 90 to 110, but 100 is recommended for best results.	
Example	:CAL:PROT:DC:STEP5 100	Program 100V step.

:STEP6

(:CALibration:PROTeCted:DC:STEP6)

Purpose	To program the 1k Ω 4-wire comprehensive calibration step.	
Format	:cal:prot:dc:step6 <Cal_resistance>	
Parameter	<Cal_resistance> = 900 to 1.1E3 [Ω]	
Description	:STEP6 programs the 1k Ω 4-wire resistance comprehensive calibration step. The allowable range of the calibration resistance parameter is from 900 to 1.1E3, but 1E3 is recommended for best results.	
Example	:CAL:PROT:DC:STEP6 1E3	Program 1k Ω step.

:STEP7

(:CALibration:PROTeCted:DC:STEP7)

Purpose	To program the 10k Ω 4-wire comprehensive calibration step.	
Format	:cal:prot:dc:step7 <Cal_resistance>	
Parameter	<Cal_resistance> = 9E3 to 11E3 [Ω]	
Description	:STEP7 programs the 10k Ω 4-wire resistance comprehensive calibration step. The allowable range of the calibration resistance parameter is from 9E3 to 11E3, but 10E3 is recommended for best results.	
Example	:CAL:PROT:DC:STEP7 10E3	Program 10k Ω step.

:STEP8

(:CALibration:PROTected:DC:STEP8)

Purpose	To program the 100k Ω 4-wire comprehensive calibration step.	
Format	:cal:prot:dc:step8 <Cal_resistance>	
Parameter	<Cal_resistance> = 90E3 to 110E3 [Ω]	
Description	:STEP8 programs the 100k Ω 4-wire resistance comprehensive calibration step. The allowable range of the calibration resistance parameter is from 90E3 to 110E3, but 100E3 is recommended for best results.	
Example	:CAL:PROT:DC:STEP8 100E3	Program 100k Ω step.

:STEP9

(:CALibration:PROTected:DC:STEP9)

Purpose	To program the 1M Ω comprehensive calibration step.	
Format	:cal:prot:dc:step9 <Cal_resistance>	
Parameter	<Cal_resistance> = 900E3 to 1.1E6 [Ω]	
Description	:STEP9 programs the 1M Ω comprehensive calibration step. The allowable range of the calibration resistance parameter is from 900E3 to 1.1E6. Use the 1E6 value whenever possible or the closest possible value.	
Example	:CAL:PROT:DC:STEP9 1E6	Program 1M Ω calibration step.

:STEP10

(:CALibration:PROTected:DC:STEP10)

Purpose	To program the 10mA comprehensive calibration step.	
Format	:cal:prot:dc:step10 <Cal_current>	
Parameter	<Cal_current> = 9E-3 to 11E-3 [A]	
Description	:STEP10 programs the 10mA comprehensive calibration step. The allowable range of the calibration current parameter is from 9E-3 to 11E-3. Use the 10E-3 value whenever possible for best results.	
Example	:CAL:PROT:DC:STEP10 10E-3	Program 10mA step.

:STEP11

(CALibration:PROTected:DC:STEP11)

Purpose	To program the 100mA comprehensive calibration step.	
Format	:cal:prot:dc:step11 <Cal_current>	
Parameter	<Cal_current> = 90E-3 to 110E-3 [A]	
Description	:STEP11 programs the 100mA comprehensive calibration step. The allowable range of the calibration current parameter is from 90E-3 to 110E-3. Use the 100E-3 value whenever possible for best results.	
Example	:CAL:PROT:DC:STEP11 100E-3	Program 100mA step.

:STEP12

(CALibration:PROTected:DC:STEP12)

Purpose	To program the 1A comprehensive calibration step.	
Format	:cal:prot:dc:step12 <Cal_current>	
Parameter	<Cal_current> = 0.9 to 1.1 [A]	
Description	:STEP12 programs the 1A comprehensive calibration step. The allowable range of the calibration current parameter is from 0.9 to 1.1. Use a value of 1 whenever possible for best results.	
Example	:CAL:PROT:DC:STEP12 1	Program 1A step.

AC calibration commands

The :AC commands perform comprehensive (user) calibration of the ACV and ACI functions. Table B-3 summarizes these calibration commands.

Table B-3
AC calibration commands

Command	Description
:CALibration	
:PROTECTED	
:AC	
:STEP1	10mV AC at 1kHz calibration step.
:STEP2	100mV AC at 1kHz calibration step.
:STEP3	100mV AC at 50kHz calibration step.
:STEP4	1V AC at 1kHz calibration step.
:STEP5	1V AC at 50kHz calibration step.
:STEP6	10V AC at 1kHz calibration step.
:STEP7	10V AC at 50kHz calibration step.
:STEP8	100V AC at 1kHz calibration step.
:STEP9	100V AC at 50kHz calibration step.
:STEP10	700V AC at 1kHz calibration step.
:STEP11	100mA AC at 1kHz calibration step.
:STEP12	1A AC at 1kHz calibration step.
:STEP13	2A AC at 1kHz calibration step.

:AC:STEP<n>**(CALibration:PROTected:AC:STEP<n>)**

Purpose	To program individual AC calibration steps.	
Format	:cal:prot:ac:step<n>	
Parameter	1	10mV AC at 1kHz calibration step.
	2	100mV AC at 1kHz calibration step.
	3	100mV AC at 50kHz calibration step.
	4	1V AC at 1kHz calibration step.
	5	1V AC at 50kHz calibration step.
	6	10V AC at 1kHz calibration step.
	7	10V AC at 50kHz calibration step.
	8	100V AC at 1kHz calibration step.
	9	100V AC at 50kHz calibration step.
	10	700V AC at 1kHz calibration step.
	11	100mA AC at 1kHz calibration step.
	12	1A AC at 1kHz calibration step.
	13	2A AC at 1kHz calibration step.
Description	The :AC:STEP command programs the 13 individual AC calibration steps; <n> represents the calibration step number. The appropriate signal must be connected to the instrument when programming each step, as summarized in the parameters listed above.	
Example	:CAL:PROT:AC:STEP7	Program 10V, 50kHz step.

Manufacturing calibration commands

Three calibration steps are only performed at the factory or when the unit has been repaired:

:CALibration:PROTeCted:AC:STEP14	1V AC at 3Hz
:CALibration:PROTeCted:AC:STEP15	1V AC at 1kHz
:CALibration:PROTeCted:DC:STEP0	Rear scanner terminal short circuit

:AC:STEP<14 | 15>

(:CALibration:PROTeCted:AC:STEP<14 | 15>)

Purpose	To program individual AC manufacturing calibration steps.	
Format	:cal:prot:ac:step14 <Cal_voltage> :cal:prot:ac:step15 <Cal_frequency>	
Parameter	<Cal_voltage> = 1 [1V nominal] <Cal_frequency> = 1E3 [1kHz nominal]	
Description	The :AC:STEP14 and :AC:STEP15 commands program the two manufacturing AC calibration steps. The appropriate signal must be connected to the instrument when programming each step, as summarized by the parameters listed above.	
Example	:CAL:PROT:AC:STEP14 1 :CAL:PROT:AC:STEP15 1E3	Program AC step 14. Program AC step 15.

:DC:STEP0

(:CALibration:PROTeCted:DC:STEP0)

Purpose	To perform rear scanner terminal short-circuit calibration.	
Format	:cal:prot:dc:step0	
Parameter	None	
Description	:STEP0 performs the rear scanner terminal short-circuit calibration step in the manufacturing calibration procedure. Install an extender card with low-thermal shorts on the output terminals installed in Slot 1 and select the rear scanner inputs before sending this command.	
Example	:CAL:PROT:DC:STEP0	Perform rear short-circuit calibration.

Model 7700 calibration commands

Table B-4 summarizes calibration commands for the Model 7700 plug-in module. Note that CARD1 commands calibrate the card in Slot 1, while CARD2 commands request calibration count and date information from a card in Slot 2.

NOTE A Model 7700 must be installed in Slot 1 through a Model 7797 Calibration System card to be calibrated. See “Model 7700 calibration” in Section 2.

Table B-4
Model 7700 calibration commands

Command	Description
:CALibration	Calibration root command.
:PROTECTED	All commands in this subsystem are protected by the calibration lock (except queries and :CODE).
:CODE '<up to 8 char. string>'	Send calibration code. (Default KI002701.)
:CARD1	Path to card in slot 1.
:INITiate	Initiate card calibration.
:COUNt?	Request number of times card had been calibrated.
:RCOUNt	Reset card calibration count to 0.
:DATE?	Request card cal date.
:SAVE	Save cal constants to card EEPROM.
:LOCK	Lock out calibration.
:LOCK?	Request cal lock state. (0 = locked, 1 = unlocked.)
:STEP0 <NRf>	Temperature sensor cold calibration (<NRf> = temperature, °C).
:CARD2	Path to card in slot 2.
:COUNt?	Request number of times card has been calibrated.
:DATE?	Request card calibration date.

:CODE**(:CALibration:PROTeCted:CODE)**

Purpose	To program the calibration code or password so that you can perform the Model 7700 calibration procedures.
Format	:cal:prot:code '<char_string>'
Parameter	Up to a 8-character string including letters and numbers.
Description	The :CODE command enables the Model 2701 calibration procedures when performing these procedures over the bus. This command must be sent to the unit before sending any other Model 7700 calibration command. The default calibration code is KI002701.

NOTES *The :CODE command should be sent only once before performing calibration. Do not send :CODE before each calibration step.*

The code parameter must be enclosed in single quotes.

Example :CAL:PROT:CODE 'KI002701' Send default code of KI002701.

:COUNT?**(:CALibration:PROTeCted:CARD1:COUNT?)****(:CALibration:PROTeCted:CARD2:COUNT?)**

Purpose	To determine how many times a Model 7700 has been calibrated.
Format	:cal:prot:card1:coun? :cal:prot:card2:coun?
Response	<n> Calibration count.
Description	The :CARD1:COUNT? and :CARD2:COUNT? commands allow you to determine how many times a Model 7700 in Slot 1 and Slot 2 respectively has been calibrated.

NOTE *Use the :COUNT? command to help you monitor for unauthorized calibration procedures.*

Example :CAL:PROT:CARD1:COUN? Request card 1 calibration count.

:DATE?**(:CALibration:PROTeCted:CARD1:DATE?)****(:CALibration:PROTeCted:CARD2:DATE?)**

Purpose	To request the Model 7700 calibration date.	
Format	:cal:prot:card1:date? :cal:prot:card2:date?	
Response	<year>, <month>, <day>	
Description	The :CARD1:DATE? and :CARD2:DATE? queries allow you to read back the calibration date from a Model 7700 in Slot 1 and Slot 2, respectively.	

NOTE The card calibration date is automatically set to the Model 2701 real time clock date when the card is calibrated.

Example :CAL:PROT:CARD1:DATE? Request card 1 cal date.

:INIT**(:CALibration:PROTeCted:CARD1:INITiate)**

Purpose	To initiate Model 7700 calibration procedures.	
Format	:cal:prot:card1:init	
Parameter	None	
Description	The :INIT command enables Model 7700 calibration when performing these procedures over the bus. This command must be sent to the unit after sending the :CODE command, but before performing Model 7700 calibration.	
Example	:CAL:PROT:CARD1:INIT	Initiate 7700 calibration.

:LOCK

(:CALibration:PROTected:CARD1:LOCK)

Purpose	To lock out Model 7700 calibration.	
Format	:cal:prot:card1:lock	
Parameter	None	
Description	The :LOCK command allows you to lock out Model 7700 calibration after completing the procedure. Thus, :LOCK performs the opposite of enabling calibration with the :CODE command.	
Example	:CAL:PROT:CARD1:LOCK	Lock out card 1 calibration.

:LOCK?

(:CALibration:PROTected:CARD1:LOCK?)

Purpose	To read Model 7700 calibration lock status.	
Format	:cal:prot:card1:lock?	
Response	0 Calibration locked. 1 Calibration unlocked.	
Description	The :LOCK? query requests status from the Model 2701 on Model 7700 calibration locked/unlocked state. Calibration must be enabled sending the :CODE command before calibration can be performed.	
Example	:CAL:PROT:CARD1:LOCK?	Request card 1 cal lock state.

:RCOUNT

(:CALibration:PROTected:CARD1:RCOUNT)

Purpose	To reset card calibration count to 0.	
Format	:cal:prot:card1:rco	
Parameter	None	
Description	The :RCOUNT command resets the card calibration count reported by :COUNT? to 0.	
Example	:CAL:PROT:CARD1:RCO	Rest card calibration count.

:SAVE**(:CALibration:PROTeCted:CARD1:SAVE)**

Purpose	To save calibration constants in card EEROM after the calibration procedure.
Format	:cal:prot:card1:save
Parameter	None
Description	The :SAVE command stores calculated calibration constants derived during Model 7700 calibration in card EEROM. (EEROM is non-volatile memory.) Calibration constants will be retained indefinitely once saved. Generally, :SAVE is sent after all other calibration steps (except for :LOCK).

NOTE Card calibration will be only temporary unless the :SAVE command is sent to permanently store calibration constants.

Example :CAL:PROT:CARD1:SAVE Save card calibration constants.

:STEP0**(:CALibration:PROTeCted:CARD1:STEP0)**

Purpose	To perform Model 7700 calibration.
Format	:cal:prot:card1:step0 <temp>
Parameter	<temp> = Cold calibration temperature (°C)
Description	:STEP0 performs temperature sensor calibration of the Model 7700. The card must be allowed to cool down to ambient temperature before calibration. The cold temperature of the card must be measured and sent as the <temp> parameter during calibration.

NOTE Before calibrating the Model 7700, make sure that power has been removed from the card for at least two hours to allow card circuitry to cool down. After turning on the power during the calibration procedure, complete the procedure as quickly as possible to minimize card heating that could affect calibration accuracy.

Example :CAL:PROT:CARD1:STEP0 23 Perform 7700 calibration.

Remote error reporting

Methods to detect and determine the nature of calibration errors are discussed in the following paragraphs. See the Model 2701 User's Manual for details on status register operation.

Error summary

Table B-5 summarizes Model 2701 calibration errors.

Table B-5
Calibration error summary

Error number and description
+400, "10 vdc zero error"
+401, "100 vdc zero error"
+402, "10 vdc full scale error"
+403, "-10 vdc full scale error"
+404, "100 vdc full scale error"
+405, "-100 vdc full scale error"
+406, "1k 2-w zero error"
+407, "10k 2-w zero error"
+408, "100k 2-w zero error"
+409, "10M 2-w zero error "
+410, "10M 2-w full scale error"
+411, "10M 2-w open error"
+412, "1k 4-w zero error"
+413, "10k 4-w zero error"
+414, "100k 4-w zero error"
+415, "10M 4-w sense lo zero error"
+416, "1k 4-w full scale error"
+417, "10k 4-w full scale error"
+418, "100k 4-w full scale error"
+419, "1M 4-w full scale error"
+420, "10M 4-w full scale error"
+421, "10m adc zero error"
+422, "100m adc zero error"
+423, "10m adc full scale error"
+424, "100m adc full scale error"
+425, "1 adc full scale error"
+438, "Date of calibration not set"
+439, "Next date of calibration not set"
+450, "100m vac dac error"

Table B-5 (Continued)
Calibration error summary

Error number and description
+451, "1 vac dac error"
+452, "10 vac dac error"
+453, "100 vac dac error"
+454, "100m vac zero error"
+455, "100m vac full scale error"
+456, "1 vac zero error"
+457, "1 vac full scale error"
+458, "1 vac noise error"
+459, "10 vac zero error"
+460, "10 vac full scale error"
+461, "10 vac noise error"
+462, "100 vac zero error"
+463, "100 vac full scale error"
+464, "750 vac zero error"
+465, "750 vac full scale error"
+466, "750 vac noise error"
+467, "Post filter offset error"
+468, "1 aac zero error"
+469, "1 aac full scale error"
+470, "3 aac zero error"
+471, "3 aac full scale error"
+472, "Input time constant error"
+473, "Frequency gain error"
+474, "1K Ohm Ioff Ocomp FS error"
+475, "10K Ohm Ioff Ocomp FS error"
+476, "Temperature Cold Cal error" *
+500, "Calibration data invalid"
+513, "AC calibration data lost"
+514, "DC calibration data lost"
+515, "Calibration dates lost"
+518, "Card calibration data lost" *
+519, "Card calibration dates lost" *
+610, "Questionable calibration"

*Model 7700 card only.

Error queue

As with other Model 2701 errors, any calibration error will be reported in the remote error queue. You can read this queue by using the `:SYST:ERR?` query. The Model 2701 will respond with the appropriate error message, as summarized in [Table B-5](#).

Status byte EAV (Error Available) bit

Whenever an error is available in the error queue, the EAV (Error Available) bit (bit 2) of the status byte will be set. Use the `*STB?` query to obtain the status byte, then test bit 2 to see if it is set. If the EAV bit is set, an error has occurred and you can use the `:SYST:ERR?` query to read the error and at the same time clear the EAV bit in the status byte.

Detecting calibration step completion

When sending remote calibration commands, you must wait until the instrument completes the current operation before sending a command. You can use the `*OPC?` (operation complete) query to help determine when each calibration step is completed.

With the `*OPC?` query, the instrument will place an ASCII 1 in the output queue when it has completed each step. To use this method, allow a sufficiently long timeout period after sending each calibration command, then test for an ASCII 1 in the output queue by sending `*OPC?`.

Index

:AC:STEP B-15, B-16
:CODE B-4, B-18
:COUNT? B-4, B-18
:DATE B-7
:DATE? B-19
:DC:STEP0 B-16
:INIT B-5, B-19
:LOCK B-5, B-20
:LOCK? B-6, B-8, B-20
:NDUE B-7
:RCOUNT B-20
:SAVE B-6, B-21
:STEP0 B-21
:STEP1 B-9
:STEP10 B-12
:STEP11 B-13
:STEP12 B-13
:STEP2 B-10
:STEP3 B-10
:STEP4 B-10
:STEP5 B-11
:STEP6 B-11
:STEP7 B-11
:STEP8 B-12
:STEP9 B-12

A

AC calibration commands B-14
AC characteristics accuracy A-2
AC current A-5
 verifying, Model 2700 1-13
AC voltage A-5
 verifying, Model 2700 1-10
 verifying, Model 7700 1-20
ACA signal switching 4-17
Accuracy calculations A-2
ACV and ACA signal multiplexing and gain 4-17
ACV and FREQ signal switching 4-15
AMPS input 4-10
Analog circuitry 4-10
 block diagram 4-11
Analog signal switching states 4-14
Assembly drawings 5-3

B

battery
 replacement 3-6

C

Calibration 2-1
 calibration
 aborting 2-6
 AC current 2-12
 AC voltage 2-11
 code 2-4
 comprehensive 2-5
 considerations 2-3
 cycle 2-5
 DC current 2-10
 DC voltage 2-8
 front panel 2-6
 front panel short and open 2-7
 Model 7700 2-22
 Model 7700 and 7706 2-22
 preparing the Model 2700 2-6
 recommended equipment 2-5
 Remote Model 7700 2-23
 resistance 2-9
 setting dates and saving 2-12
 step completion B-24
 calibration code
 front panel 2-4
 remote 2-4
 calibration commands
 AC B-14
 DC B-9
 manufacturing B-16
 miscellaneous B-4
 Model 7700 and 7706 B-17
 Calibration error summary B-22
 Calibration Reference B-1
 Card cage removal 5-5
 Case cover removal 5-4
 Command summary B-2
 Component layouts 6-2
 Connections
 AC volts calibration 2-11
 DC and AC amps calibration 2-10
 DC volts and ohms calibration 2-8
 Input terminal wire 5-7
 manufacturing calibration 2-20
 Model 2700 AC current verification 1-13
 Model 2700 AC volts verification 1-10
 Model 2700 DC current verification 1-12
 Model 2700 DC volts verification 1-8
 Model 2700 frequency verification 1-18
 Model 2700 resistance verification
 (100MΩ range) 1-15

- Model 2700 resistance verification (100 Ω to 10M Ω ranges) 1-14
- Model 7700 AC current verification 1-24
- Model 7700 AC volts verification 1-20
- Model 7700 DC current verification 1-22
- Model 7700 DC volts verification 1-19
- Model 7700 frequency verification 1-31
- Model 7700 ratio and average verification 1-32
- Model 7700 resistance verification (100M Ω range) 1-27
- Model 7700 resistance verification (100 Ω to 10M Ω ranges) 1-25
- Model 7700 thermocouple temperature verification 1-29
- Power module wire 5-7

D

- dB characteristics accuracy A-4
- dBm characteristics accuracy A-3
- DC calibration commands B-9
- DC characteristics accuracy A-2
- DC current A-5
 - verifying, Model 2700 1-12
 - verifying, Model 7700 1-22
- DC voltage A-5
 - Verifying, Model 2700 1-8
 - verifying, Model 7700 1-18
- DCA signal multiplexing and gain 4-18
- DCA signal switching 4-16
- DCV signal multiplexing and gain 4-17
- DCV signal switching 4-14
- derating factors
 - additional A-4
- Digital circuitry 4-8
 - block diagram 4-7
- Digital circuitry checks 4-14
- Digital I/O 4-9
- Disassembly 5-1
- Disassembly procedures 5-4
- DISP test 4-4
- Display 4-8
- Display board 4-6
- Display board checks 4-13

E

- Environmental conditions 1-3, 2-2
- Error queue B-24
- Error summary B-22
- Extender board connections 2-22

F

- factory defaults
 - restoring 1-5
- Factory service 6-2
- frequency
 - Verifying, Model 2700 1-18
 - verifying, Model 7700 1-31
- Front panel
 - disassembly 5-5
 - tests 4-4
- Front panel Model 7700 calibration 2-22
- fuse
 - front terminal, replacing 3-4
 - Power line 3-3
- fuses
 - plug-in module, replacing 3-5

H

- Handling and cleaning 5-2
- Handling PC boards 5-2

I

- IEEE-488 interface 4-9
- INPUT HI 4-10
- Input terminal wire colors 5-7
- Instrument reassembly 5-7
- Introduction
 - Calibration 2-2
 - Calibration Reference B-2
 - Disassembly 5-2
 - Performance Verification 1-2
 - Replaceable Parts 6-2
 - Routine Maintenance 3-2
 - troubleshooting 4-2

K

- Key matrix 4-8
- KEY test 4-4

L

- limits
 - ACI, Model 2700 1-13
 - DCI, Model 2700 1-12
 - Plug-in module ACI, Model 7700 1-24
 - Plug-in module DCI, Model 7700 1-23
 - plug-in module resistance verification, Model 7700 1-26
 - resistance verification, Model 2700 1-15

- line fuse
 - replacing 3-2
- Line power 1-3, 2-2
- line voltage
 - setting 3-2

M

- Maintenance,Routine 3-1
- Manufacturing calibration 2-19
 - Extender board preparation 2-19
 - front panel 2-20
 - Recommended test equipment 2-19
 - remote 2-21
 - Unlocking manufacturing calibration 2-19
- measurement accuracy
 - optimizing A-5
- measurement speed
 - optimizing A-5
- Measuring function generator signal
 - amplitude 2-20
- Memory circuits 4-8
- Microcontroller 4-6
- Microprocessor 4-8
- Model 7700 amps fuse 3-5
- Model 7700 and 7706 calibration
 - commands B-17
- Module slot control 4-9
- Motherboard removal 5-4
- Multiplexer and A/D converter 4-10

N

- No comm link error 4-19

O

- operation
 - principles 4-5
- Ordering information 6-2

P

- Parts lists 6-2
- Performance Verification 1-1
- power components
 - removing 5-6
- Power module removal 5-6
- Power module wire colors 5-7
- Power supply 4-5
 - block diagram 4-5

- Power supply checks 4-13
- Power supply components 4-6
- Power transformer removal 5-6
- Power-on self-test 4-3

R

- ratio and average
 - verifying, Model 7700 1-32
- reading limit
 - ACV, Model 2700 1-11
 - calculating resistance 1-5
 - calculation, example 1-5
 - DCV, Model 2700 1-9
 - four-wire RTD temperature verification, Model 2700 1-17
 - Model 7700 thermocouple temperature verification 1-29
 - Plug-in module ACV, Model 7700 1-21
 - Plug-in module DCV, Model 7700 1-19
 - Plug-in module four-wire RTD temperature verification, Model 7700 1-30
 - thermocouple temperature verification, Model 2700 1-16
- Recommended test equipment 1-4, 2-22
- Remote calibration 2-13
 - AC current 2-18
 - AC voltage 2-17
 - command summary B-2
 - DC current 2-16
 - DC volts 2-14
 - Locking out calibration 2-18
 - preparing the Model 2700 2-13
 - Programming calibration dates 2-18
 - resistance 2-15
 - Saving calibration constants 2-18
 - short and open 2-14
- Remote error reporting B-22
- Repair considerations 4-2
- Replaceable Parts 6-1
- resistance A-5
 - verifying, Model 2700 1-14
 - verifying, Model 7700 1-25
- RS-232 interface 4-9

S

- Scanner card signals 4-12
- Signal switching 4-10
- Solder repairs 5-2

Specifications [A-1](#)
Static sensitive devices [5-3](#)
Status byte EAV (Error Available) bit [B-24](#)
Switching device locations [4-19](#)

T

Temperature [A-5](#)
temperature
 RTD, Model 2700 [1-17](#)
 RTD, Model 7700 [1-30](#)
 thermocouple, Model 2700 [1-16](#)
 thermocouple, Model 7700 [1-28](#)
 verifying, Model 2700 [1-16](#)
 verifying, Model 7700 [1-28](#)
Trigger circuits [4-9](#)
Troubleshooting [4-1](#)

V

verification
 Model 2700 [1-8](#)
 Model 7700 [1-18](#)
Verification limits [1-5](#)
Verification test
 considerations [1-7](#)
 Model 2700 [1-6](#)
 Model 7700 [1-6](#)
 summary [1-6](#)

verification test
 procedures [1-6](#)
Verification test requirements [1-3](#)
verifying
 AC current, Model 7700 [1-24](#)

W

$\Omega 2$ signal multiplexing and gain [4-18](#)
 $\Omega 2$ signal switching [4-15](#)
 $\Omega 2/\Omega 4$ reference switching [4-16](#)
 $\Omega 4$ signal multiplexing and gain [4-18](#)
 $\Omega 4$ signal switching [4-16](#)
Warm-up period
 calibration [2-2](#)
 Verification Procedures [1-3](#)

Specifications are subject to change without notice.

All Keithley trademarks and trade names are the property of Keithley Instruments, Inc. All other trademarks and trade names are the property of their respective companies.



Keithley Instruments, Inc.

28775 Aurora Road • Cleveland, Ohio 44139 • 440-248-0400 • Fax: 440-248-6168
1-888-KEITHLEY (534-8453) • www.keithley.com

Sales Offices:

BELGIUM:	Bergensesteenweg 709 • B-1600 Sint-Pieters-Leeuw • 02-363 00 40 • Fax: 02/363 00 64
CHINA:	Yuan Chen Xin Building, Room 705 • 12 Yumin Road, Dewai, Madian • Beijing 100029 • 8610-6202-2886 • Fax: 8610-6202-2892
FINLAND:	Tietäjäntie 2 • 02130 Espoo • Phone: 09-54 75 08 10 • Fax: 09-25 10 51 00
FRANCE:	3, allée des Garays • 91127 Palaiseau Cédex • 01-64 53 20 20 • Fax: 01-60 11 77 26
GERMANY:	Landsberger Strasse 65 • 82110 Germering • 089/84 93 07-40 • Fax: 089/84 93 07-34
GREAT BRITAIN:	Unit 2 Commerce Park, Brunel Road • Theale • Berkshire RG7 4AB • 0118 929 7500 • Fax: 0118 929 7519
INDIA:	Flat 2B, Willocrissa • 14, Rest House Crescent • Bangalore 560 001 • 91-80-509-1320/21 • Fax: 91-80-509-1322
ITALY:	Viale San Gimignano, 38 • 20146 Milano • 02-48 39 16 01 • Fax: 02-48 30 22 74
JAPAN:	New Pier Takeshiba North Tower 13F • 11-1, Kaigan 1-chome • Minato-ku, Tokyo 105-0022 • 81-3-5733-7555 • Fax: 81-3-5733-7556
KOREA:	2FL., URI Building • 2-14 Yangjae-Dong • Seocho-Gu, Seoul 137-888 • 82-2-574-7778 • Fax: 82-2-574-7838
NETHERLANDS:	Postbus 559 • 4200 AN Gorinchem • 0183-635333 • Fax: 0183-630821
SWEDEN:	c/o Regus Business Centre • Frosundaviks Allé 15, 4tr • 169 70 Solna • 08-509 04 679 • Fax: 08-655 26 10
SWITZERLAND:	Kriesbachstrasse 4 • 8600 Dübendorf • 01-821 94 44 • Fax: 01-820 30 81
TAIWAN:	1FL., 85 Po Ai Street • Hsinchu, Taiwan, R.O.C. • 886-3-572-9077 • Fax: 886-3-572-9031