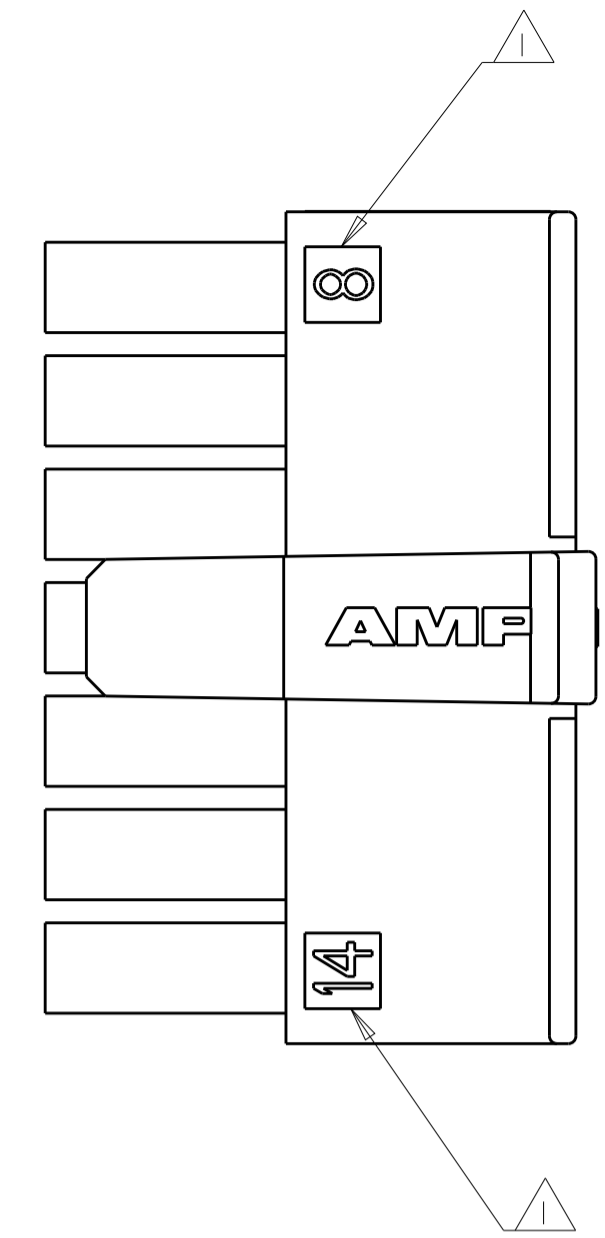
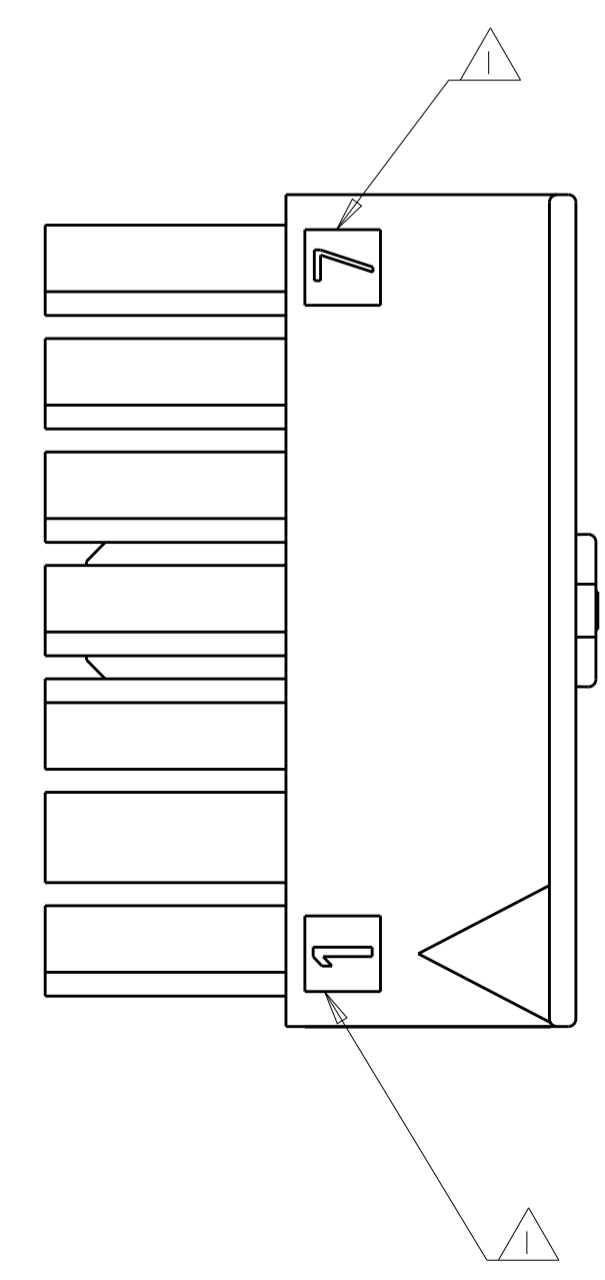
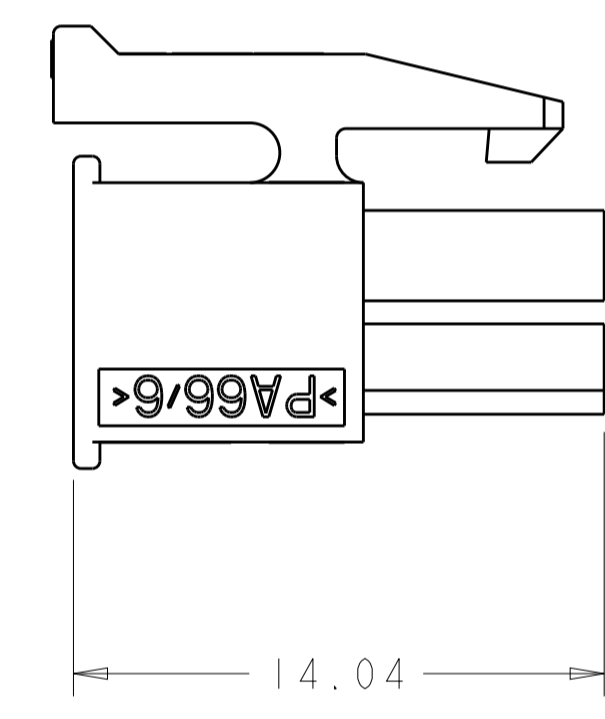
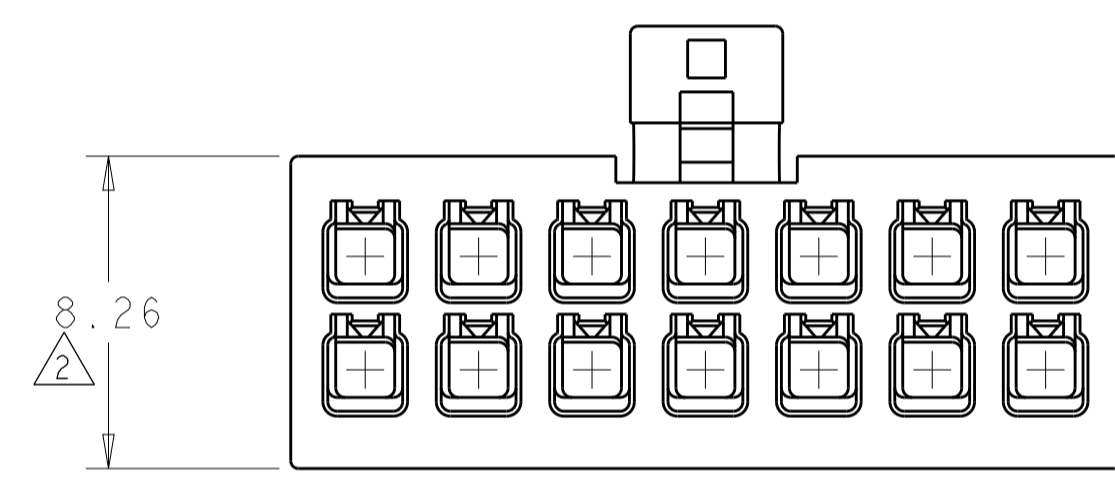
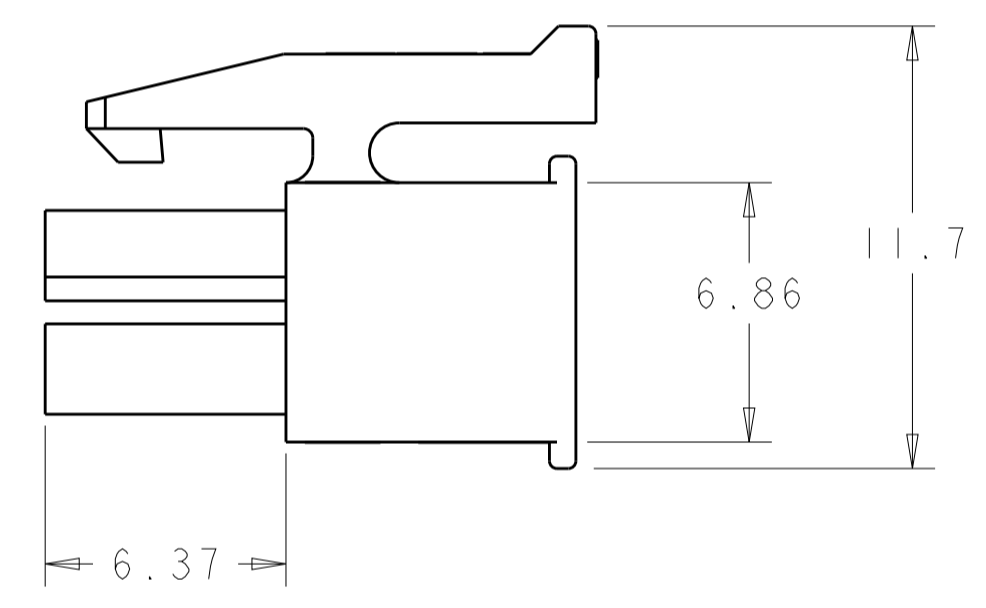
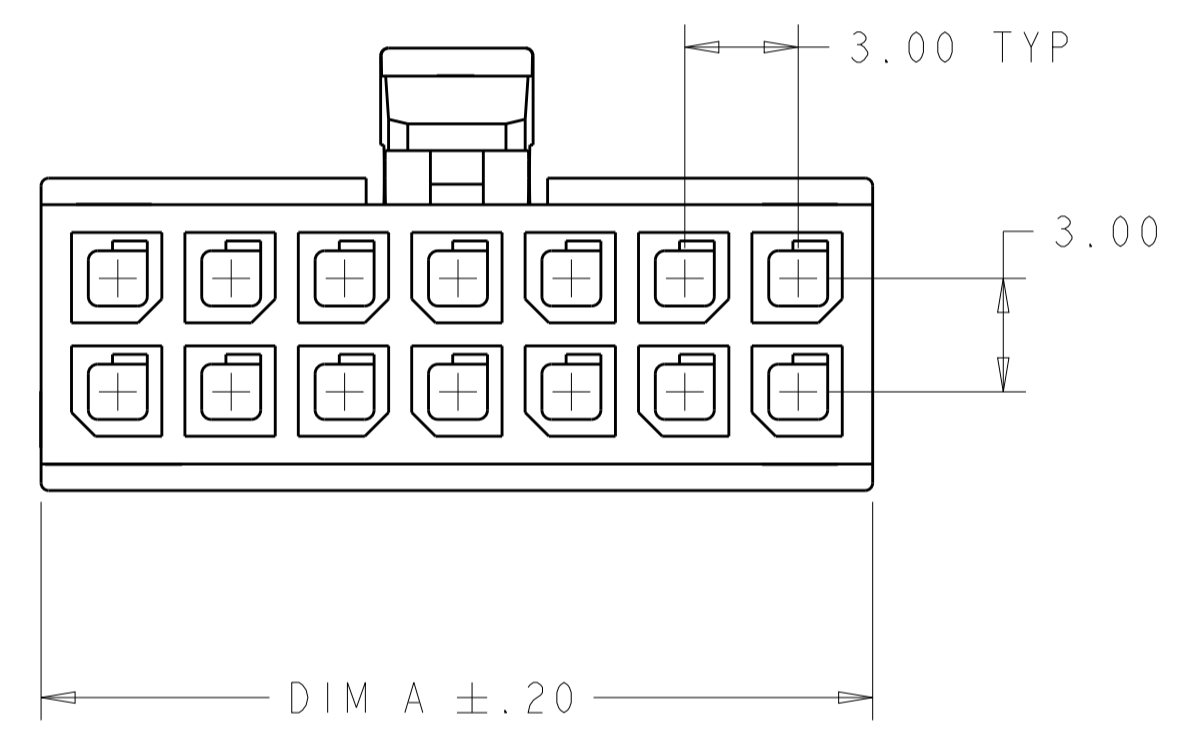


LOC		DIST		REVISIONS			
P	LTN	DESCRIPTION	DATE	DWN	APVD		
E3		REVISED PER ECR-12-015771	11SEP2012	KH	TM		
E4		REVISED PER ECR-13-016336	21OCT2013	AV	RP		



- △ 1 CIRCUIT IDENTIFIER, LOCATED APPROXIMATELY AS SHOWN.
- △ 2 DIMENSION ONLY 7.56 ON 2 POSITION.
- △ 3 MATERIAL NYLON66/6 V0 UL94.
- △ 4 MATERIAL PA6 V0 UL94.
- △ 5 MATERIAL PA66 V0 GW UL94.
- △ 6 PRELIMINARY PART NOT RELEASED FOR PRODUCTION.



△ 3	△ 2	DIM A	NO. OF POS.	PART NUMBER
△ 6	△ 6	13.00	8	3-794617-8
△ 4	△ 6	13.00	8	2-794617-8
△ 3		37.00	24	2-794617-4
		34.00	22	2-794617-2
		31.00	20	2-794617-0
		28.00	18	1-794617-8
		25.00	16	1-794617-6
		22.00	14	1-794617-4
		19.00	12	1-794617-2
		16.00	10	1-794617-0
		13.00	8	794617-8
		10.00	6	794617-6
	7.00	4	794617-4	
△ 3	△ 2	4.00	2	794617-2

THIS DRAWING IS A CONTROLLED DOCUMENT. DWN: K. WHITAKER 14OCT1999  
 CHK: K. COBLE 14OCT1999  
 APVD: K. COBLE 14OCT1999

**STE** TE Connectivity

RECEPTACLE HOUSING, 2 TO 24 POSITION, DUAL ROW, MICRO MATE-N-LOK™

ITEM: 0 PLC ±.015  
 1 PLC ±.015  
 2 PLC ±.015  
 3 PLC ±.015  
 4 PLC ±.015  
 ANGLES ±.030

MATERIAL: △ 3 △ 4 △ 5  
 FINISH: -

Customer Drawing

SCALE: 5:1 SHEET 1 OF 1 REV E4