

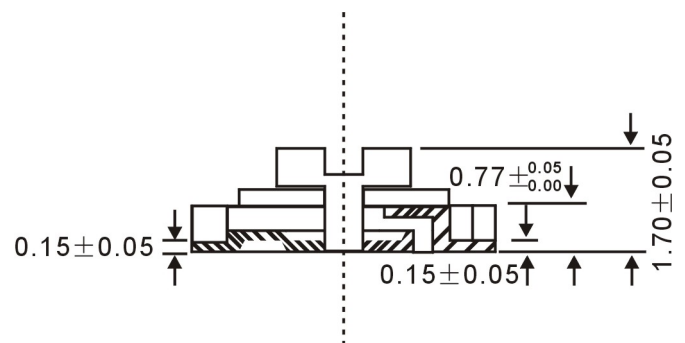
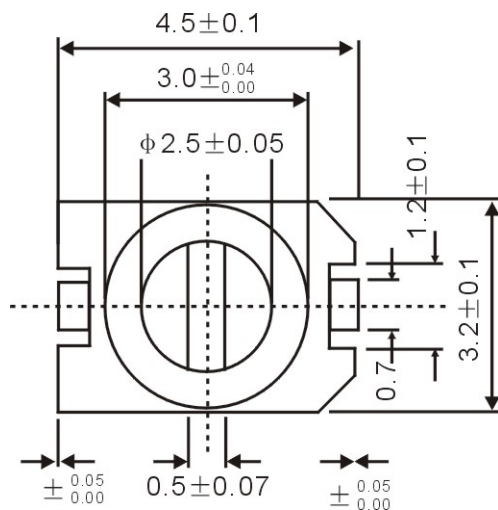
TSC3

FEATURES

- Miniature and low profile capacitors
- Color-coded case according to its capacitance range for easy visual identification.
- Mountable by an automatic placer
- Easy adjustment

SPECIFICATIONS

OPERATING TEMPERATURE RANGE	-25°C to +85°C
RATED WORKING VOLTAGE	100VDC
DIELECTRIC WITHSTANDING VOLTAGE	220VDC
INSULATION RESISTANCE	10 ⁴ M ohm min.
ROTATION TORQUE	15 ~ 100g.m



PART NUMBER	CAPACITANCE (pF)			TEMPERATURE COEFFICIENT	Q (1MHz, Cmax) (min.)	CASE COLOR
	Minimum Max.	Max.	(+50%) (-0%)			
TSC 3-030	1.7	3.0		NPO ± 300	500	BROWN
TSC 3-060	2.5	6.0		NPO ± 300	500	BLUE
TSC 3-100	3.5	10.0		N 750 ± 300	500	WHITE
TSC 3-200	5.5	20.0		N 1200 ± 500	300	RED
TSC 3-300	7.5	30.0		N 1800 ± 600	300	GREEN

Note: Specification are subject to change without notice. For more detail and update, please visit our website.