

Gold-Plated HDMI Lead with Swivel Ends

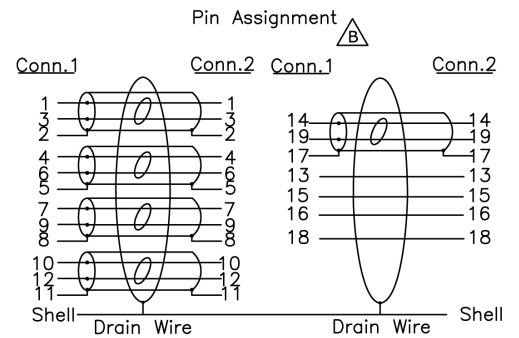
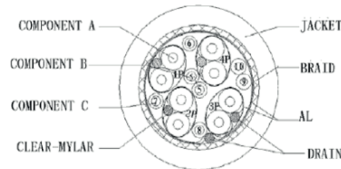
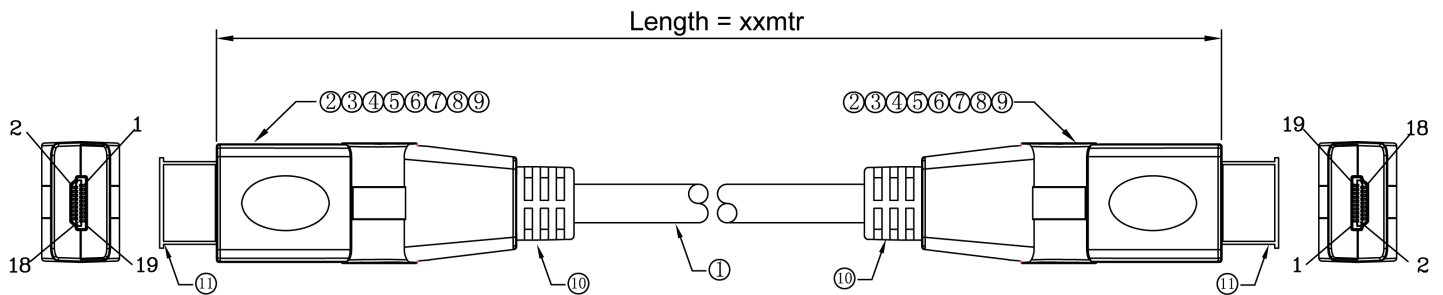
Order code: **16-1364** 1m

Order code: **16-1365** 3m

Order code: **16-1366** 5m

Electrical Test:

1. 100% open & short & mis wire test
2. Contact resistance: 2Ω(max)
3. Insulation resistance: 10MΩ(min)
4. Hi-pot test:DC 300V/10ms



Item	Description	Quantity
1	UL20276(7/0.10T*4C+AEB(16*4/0.12) OD:6.0mm high speed HDMI® cable with ethernet △ _B	7
2	HDMI M 19P	2
3	HDMI ABS	2
4	HDMI ABS	2
5	HDMI ABS SR	2
6	HDMI ABS SR	2
7	2.0 10mm*10pcs	0.1
8	1.0 45mm*2pcs	0.09
9	0.6 32mm*10pcs	0.32
10	45P PVC	2
11	HDMI M PVC	2