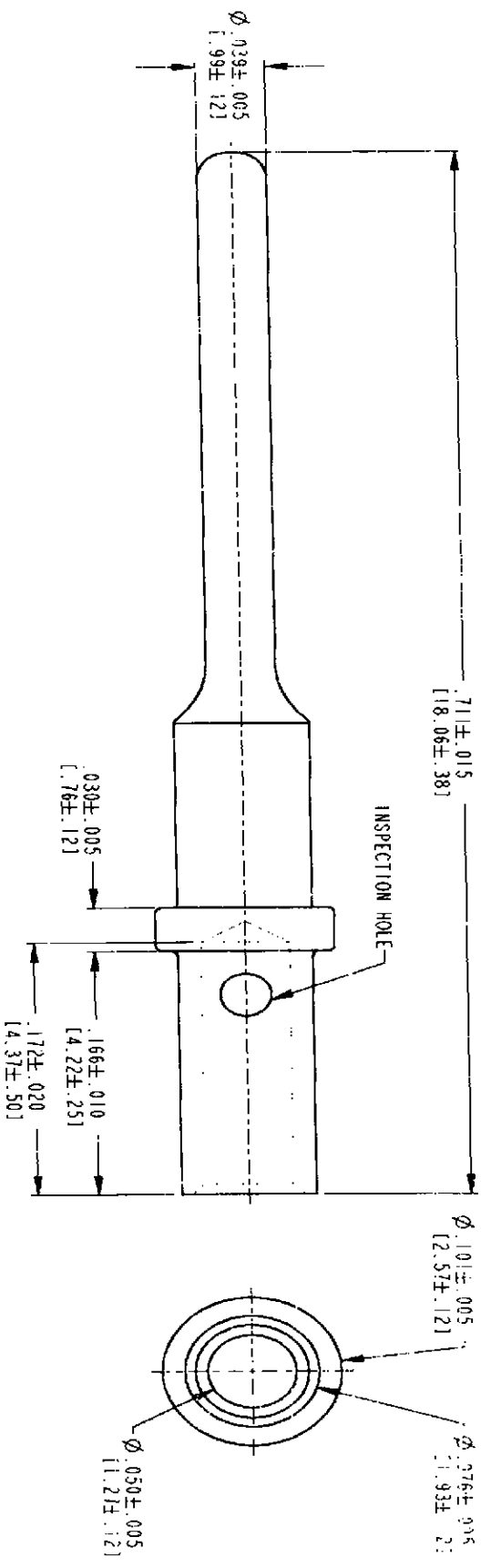


REV B 0460-202-20*

REV	DESCRIPTION	DATE	BY
B	0460-202-20*		
NC	NEW RELEASE PER E.O. 13526		
A	REVISED PER E.O. 13526		
B	REVISED PER E.O. 13526		



1. FOR CONTACT PERFORMANCE AND APPLICATION CHARACTERISTICS SEE DRAWING 0425-015-0000.
2. FOR CRIMPING INFORMATION SEE DRAWING 0425-205-0000.
3. WHEN ** = 31: PLATING IS GOLD OVER NICKEL. WHEN ** = 141: PLATING IS NICKEL.
4. DIMENSIONS ARE IN INCHES [mm]

NOTES:

DR	CHK	PE	APPD	SCALE
D. MEYER 12/18/97			R. Kord 5-25-99	15:1

SIGNATURE & DATE
CONTACT PIN
SIZE 20
ENVELOPE

The Deutch Company
 DEUTSCH I.P.D.
 3850 INDUSTRIAL AVE
 HEWLET, CALIF. 92545

CP
 B 0460-202-20*
 CODE SHEET 1 OF 1