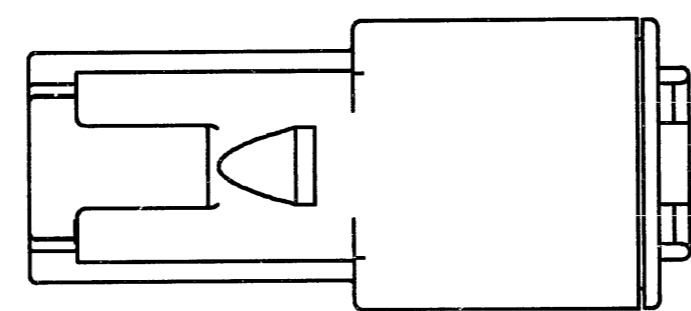
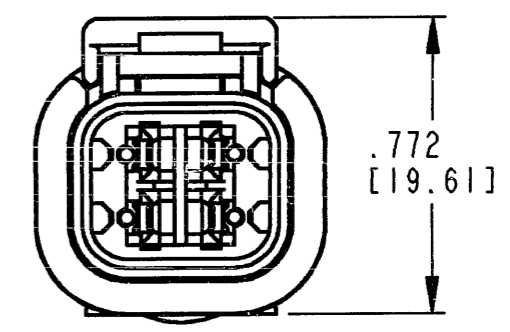
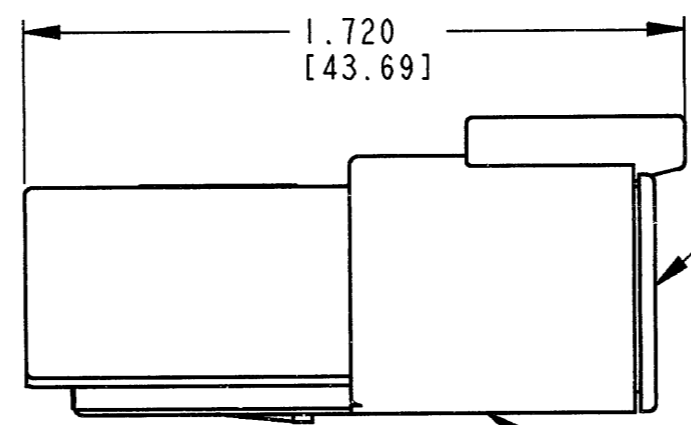
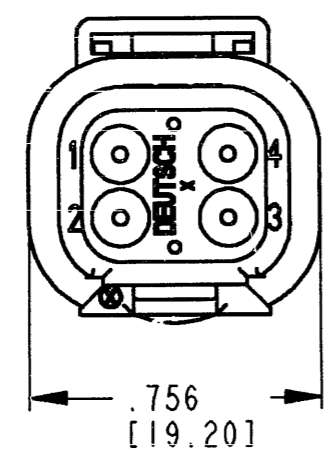
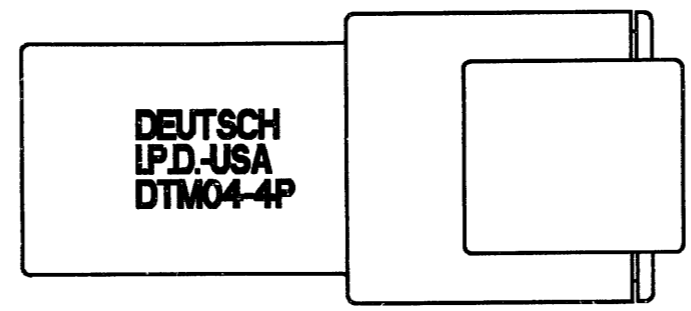
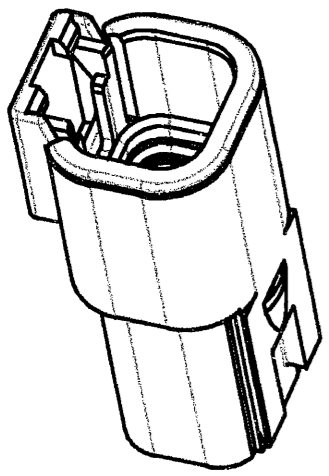


REV
A **DTM04-4P**

REVISIONS			
SYM	DESCRIPTION	DATE	APPROVED
NC	NEW RELEASE PER E.O. A14874	7-21-95	RDR
A	REDRAWN & REVISED PER E.O. P18179	5-27-03	RDR



- 6. MATERIAL - HOUSING: PLASTIC; GROMMET: RUBBER.
- 5. THIS RECEPTACLE MATES WITH DTM06-4S-**** PLUG. (**** = ALL MODIFICATIONS)
- 4. FOR CONTACT AND WIRE PERFORMANCE AND APPLICATION CHARACTERISTICS SEE ENVELOPE DRAWING 0425-015-0000.
- 3. SECONDARY WEDGE LOCK SOLD SEPARATELY: WM-4P.
- 2. DIMENSION TOLERANCE: ±.025 [.64].
- 1. DIMENSIONS ARE IN INCHES [mm].


NOTES: UNLESS OTHERWISE SPECIFIED

CONTACT SIZE	MIN. INSUL. O.D.	MAX. INSUL. O.D.	WIRE RANGE [mm ²] REF ONLY
20	.053 [1.35]	.120 [3.05]	16-20 AWG [1.0-0.5]

SIGNATURE & DATE	
DR	J. APOSTOL 22MAY2003
CHK	Paul Bube 5/27/03
PE	DMey 5/23/03
APPD	SBend 6-25-03
SCALE	NONE WT _____

RECEPTACLE
4 PIN CONTACTS
SIZE 20
COLOR: GREY
DTM SERIES

ENVELOPE

CP	MATL. CODE
The Deutsch Company  DEUTSCH I.P.D. 3850 INDUSTRIAL AVE. HEMET, CALIF. 92545	
B	DTM04-4P
DWG SIZE	CODE 11139 SHEET OF