



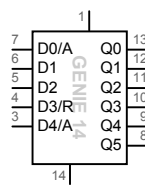
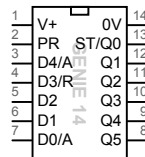
## Capabilities

The following table outlines the capabilities of this GENIE device:

<b>Type</b>	<b>GENIE</b>
<b>Version</b>	<b>2</b>
<b>Signals</b>	
Pins	<b>14</b>
Analogue inputs	<b>2</b>
ADC resolution	<b>8 bits</b>
Digital inputs	<b>5</b>
Digital outputs	<b>6</b>
<b>Features</b>	
Parallel processing	<b>Yes</b>
Plug and play	<b>Yes</b>
Debug live	<b>Yes</b>
Device control	<b>Yes</b>
Sensor calibration	<b>Yes</b>
RTTTL music	<b>Yes</b>
16 channel MIDI music	<b>Yes</b>
Sound effects	<b>Yes</b>
PWM outputs	<b>6</b>
Servo motor control	<b>6</b>
Infra-red control	<b>Yes</b>
1-Wire® and I <sup>2</sup> C	<b>Yes</b>
Ultrasonic sensing	<b>Yes</b>
Events and interrupts	<b>Yes</b>
1-second clock	<b>Yes</b>
<b>Programming</b>	
Program memory	<b>10 K bytes</b>
Variables	<b>26 (A-Z)</b>
Data (array) memory	<b>256</b>
EEPROM locations	<b>16</b>
Program start limit	<b>16</b>
Subroutine limit	<b>No limit</b>
Call stack limit	<b>32</b>
<b>Electrical</b>	
PICmicro® device	<b>16F1825</b>
Power supply	<b>1.8-5.5V</b>
Pin current limit	<b>25mA</b>
Total current limit	<b>85mA</b>

## Component

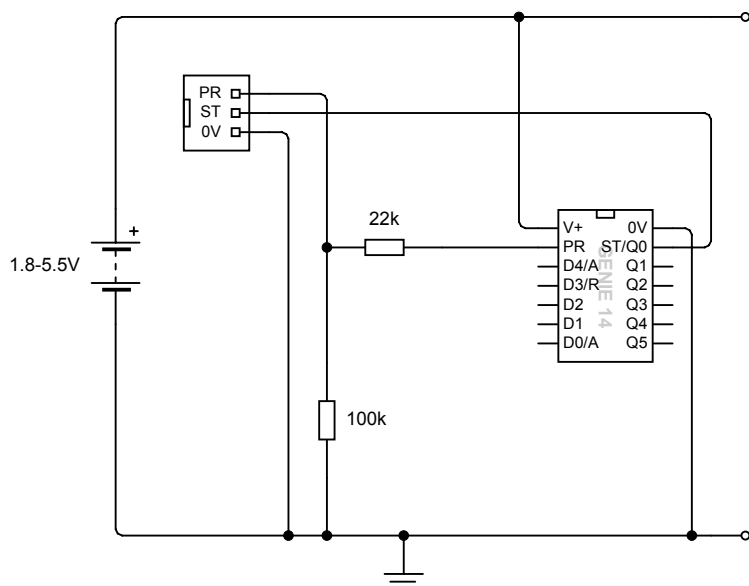
The GENIE 14 microcontroller has 14 legs (known as pins) and these are used as follows (a simplified view is also shown):



Pin	Description
1	Power supply voltage (1.8-5.5V only)
2	Programming input (PR)
3	Analogue input A4 or digital input D4
4	Digital input D3 or (optional) reset
5	Digital input D2
6	Digital input D1
7	Analogue input A0 or digital input D0
8	Digital output Q5
9	Digital output Q4
10	Digital output Q3
11	Digital output Q2
12	Digital output Q1
13	Digital output Q0 and Status output (ST)
14	Ground (zero volt) supply voltage

## Circuit

The required circuit for a GENIE 14 is shown below. It includes a download socket and two resistors. See also 'Reset' overleaf.





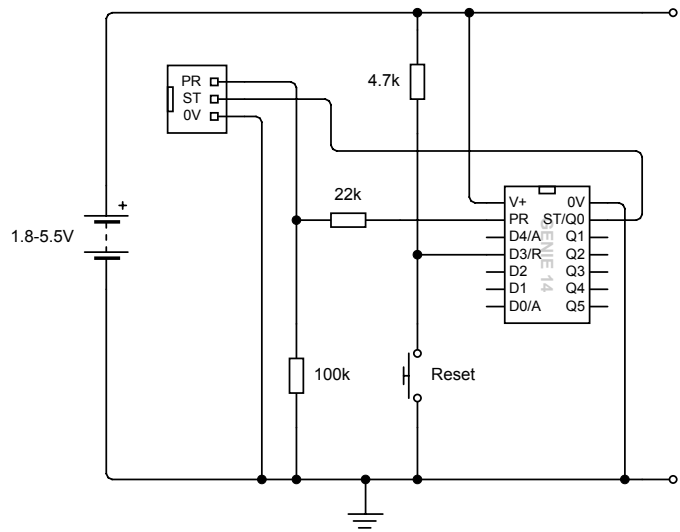
## Notes

### Reset

Pin 4 can be configured to be either an external reset pin or digital input G3. When configured as a reset pin, the microcontroller will reset whenever that pin goes low.

The recommend minimum circuit including a reset switch is shown on the right.

You can configure the reset pin by choosing the **Advanced** option in the **Program Settings** window and then clicking on **Reset**.



### Turbo

The GENIE 14 microcontroller can operate at two different speeds: normal and turbo. In turbo mode, the internal oscillator within the microcontroller will be run at a faster (32 MHz rate), whereas in the normal speed mode, the oscillator will be at 16 MHz. Note that one consequence of running in turbo speed mode is that the minimum device supply voltage increases from 1.8V to 2.5V.

You can enable turbo speed mode by choosing the **Advanced** option in the **Program Settings** window and then clicking on **Turbo**.

