

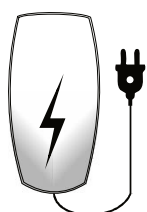
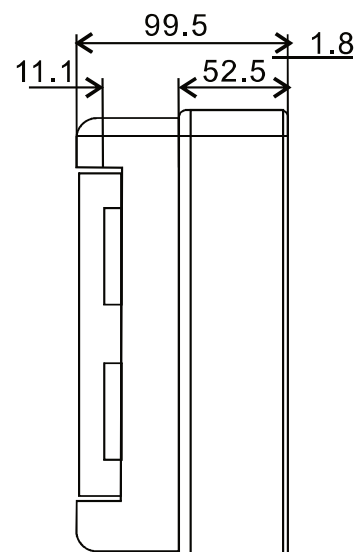
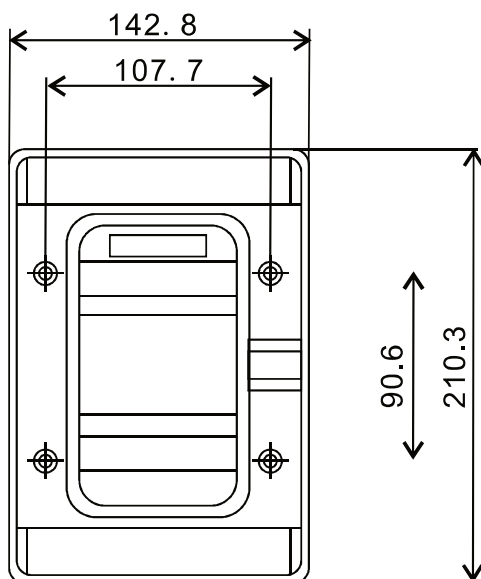


### A-TYPE ELECTRIC VEHICLE RCBO ENCLOSURE (WEATHERPROOF) + SURGE

This unit provides earth leakage and overload protection for most electrical vehicle installations. The dual switch action indicates the type of fault detected. This unit also comes with surge protection.

- A-type high immunity
- 6-40A current
- 30ma AC earth leakage
- 6ma DC earth leakage
- IP65 weatherproof

Part No	Description
WPRC32BSP	IP65 weatherproof A-Type 32B RCBO + Surge
WPRC32CSP	IP65 weatherproof A-Type 32C RCBO + Surge
WPRC40BSP	IP65 weatherproof A-Type 40B RCBO + Surge
WPRC40CSP	IP65 weatherproof A-Type 40C RCBO + Surge



ideal for EV charger installation



## Type A RCBO

### Description

The WER Range RCBO from WCED with type A & AC Type RCD protection in one. RCBO's (Residual Current Circuit Breaker with Overload Protection) provide residual and overload protection in one neat device. They can detect & respond as for type AC, PLUS pulsating DC components. Ideal for Electric Vehicles, Domestic and Commercial applications.

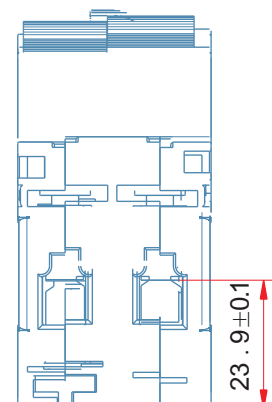
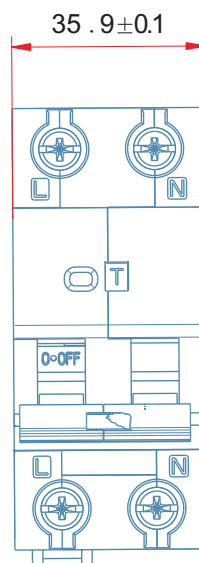
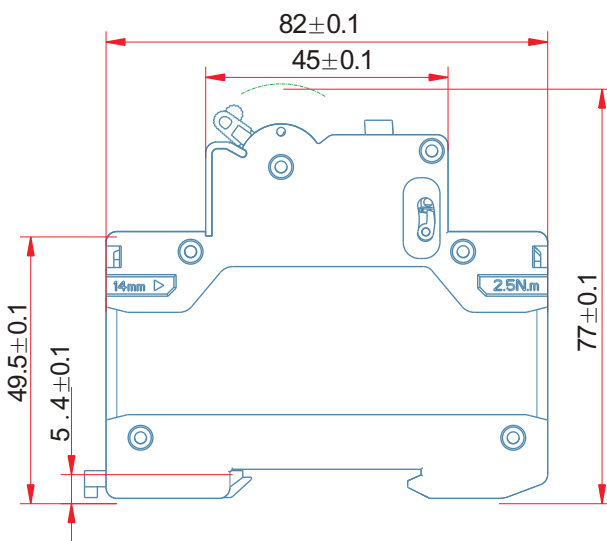
### Key Features

The WER Range RCBOs with switched neutral built in as standard will fully isolate a faulty or damaged circuit by disconnecting live and neutral conductors. They offer the most comprehensive circuit protection available.

Using the WER range rcbo's will guarantee that healthy circuits remain in service and that only a faulty circuit is switched off. This avoids danger and prevents inconvenience in the event of a fault. They have switched neutral built in as standard, live and neutral conductors do not have to be disconnected for insulation resistance testing. This saves time and money.

Twin handle system, black handle controls MCB function, white handle controls RCD function. If only black handle trips off, it indicates overload or short circuit. If both white and black handle trip, it will indicate residual current fault. This will assist an electrician to solve the electrical fault quickly, saving time and money.

Part No	Description	Qty
WER06B-30	Type A 6Amps B Curve 30mA High Immunity RCBO	60
WER10B-30	Type A 10Amps B Curve 30mA High Immunity RCBO	60
WER16B-30	Type A 16Amps B Curve 30mA High Immunity RCBO	60
WER20B-30	Type A 20Amps B Curve 30mA High Immunity RCBO	60
WER32B-30	Type A 32Amps B Curve 30mA High Immunity RCBO	60
WER40B-30	Type A 40Amps B Curve 30mA High Immunity RCBO	60
WER06C-30	Type A 6Amps C Curve 30mA High Immunity RCBO	60
WER10C-30	Type A 10Amps C Curve 30mA High Immunity RCBO	60
WER16C-30	Type A 16Amps C Curve 30mA High Immunity RCBO	60
WER20C-30	Type A 20Amps C Curve 30mA High Immunity RCBO	60
WER32C-30	Type A 32Amps C Curve 30mA High Immunity RCBO	60
WER40C-30	Type A 40Amps C Curve 30mA High Immunity RCBO	60

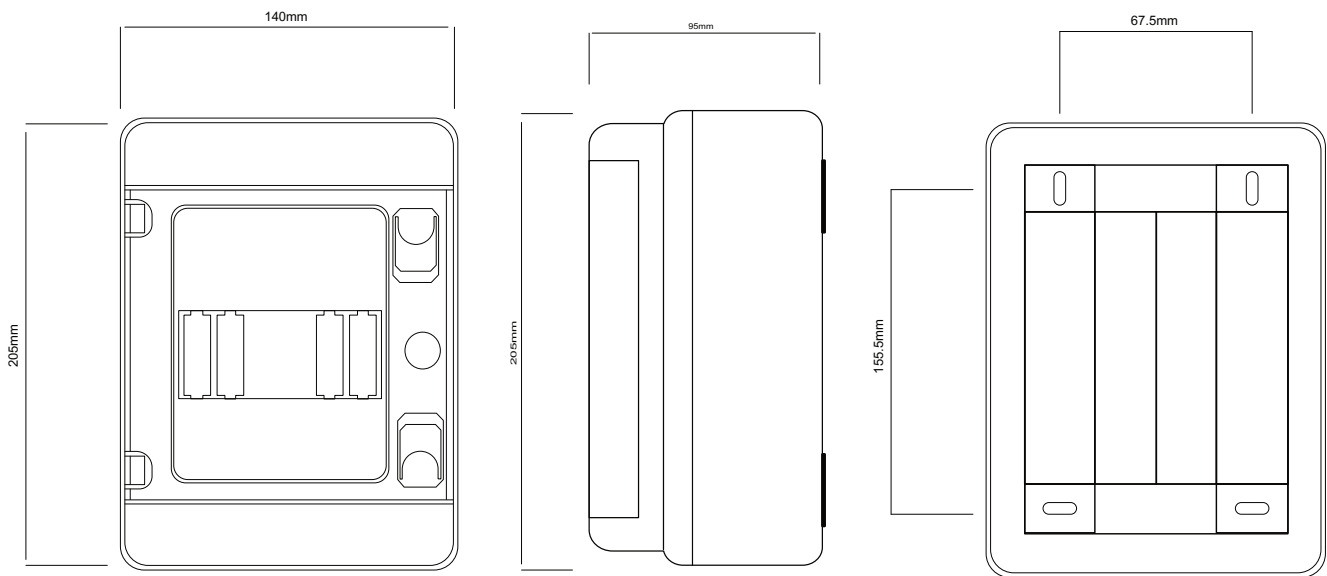


# WHA PLASTIC ENCLOSURES

IP65 plastic enclosure, suitable for internal or external use. Internal earth/neutral bars included. Complies with all relevant EN standards. Ideal for installing your EV circuit protection in outdoor locations.



Part No	Description	QTY	W	H	D
WHA465	4 way empty plastic enclosure	20	140	205	95
WHA665	6 way empty plastic enclosure	20	176	205	95
WHA865	8 way empty plastic enclosure	20	212	205	95
WHA1065	10 way empty plastic enclosure	20	248	205	95



## ● AC Surge Protection Device

### Description

SPD's protect electrical and electronic equipment against transients, originating from lightning, switching of transformers, Lighting and motors. These transient voltages can cause premature ageing of equipment, downtime, or complete destruction of electronic Components and materials. SPD'd are strongly recommended on installations that are exposed to transient voltages, to protect sensitive And expensive electrical equipment such as TV, video, Hi-Fi, PC, alarm etc.



Part No	Description	Qty
WSPD240	2 Pole 20kA/40kAType 2 Surge Protective Device	60

