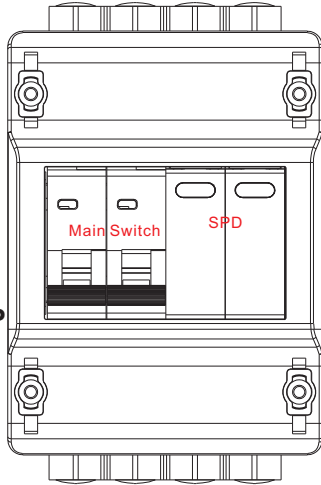




WEC440SP Data Sheet

Comprising of: 3 part seal and secure enclosure with 2 pole 100A Main Switch and Integral Surge Protection Device SPD240

**Part No:
WEC440SP**



Function:

Manual control of all kinds of electrical devices.

Applications:

Suitable for resistive and moderately inductive loads eg: switching of lighting and heating control boards in homes, shops, offices, warehouses, factories, hospitals, etc.

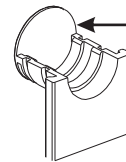
Features:

All switches are lockable through padlock or by means of a lock.

ENCLOSURE DATA

IP Rating	IP20
Colour	Grey
Device fixing Type	Din Rail
Cable Entry	4 on Top (Max 25mm) 4 on Bottom (Max 25mm)
Front Cover	Two part type (Top and Bottom)
Anti-tamper security	Using wire seal
Top cover	Sealed using wire seal or blank disc
Bottom cover	Sealed using wire seal or blank disc
Modules	Max opening 4 modules
Base	one part base unit

Additional cable grip insert moulding

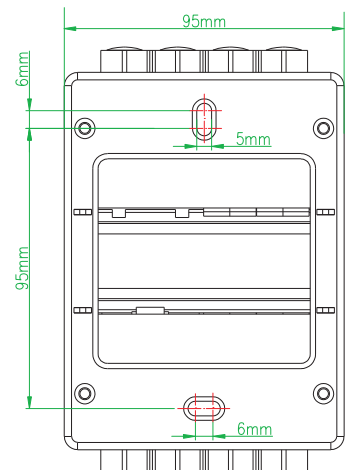
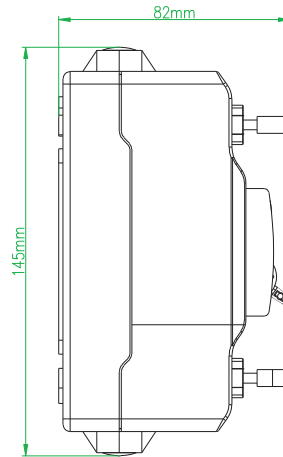


Blank disc

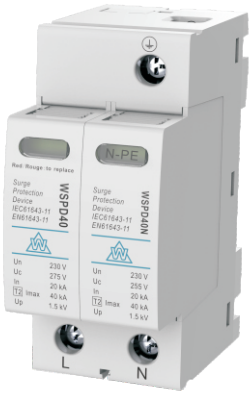
Remove blank disc of the insert moulding to allow cable installation

MAIN SWITCH DATA

Normal current In	100A 230V AC
Standards	BSEN 60947-3
Protection degree	IP20 Terminal screws
Category of Duty	AC22A-100A
Terminal capacity: max (mm ²)	1x50 mm ²
Terminal capacity: min (mm ²)	1x6 mm ²
Short-circuit resistance without upfront fuses	7kA (summit)
Short-circuit resistance with upfront fuses	16kA (nom)
Mechanical service life	>8500
Electrical service life	>1500
Max. allowed current during less than 1 sec. (kA)	2kA

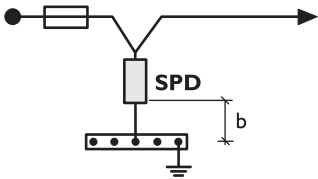


AC Surge Protection Device

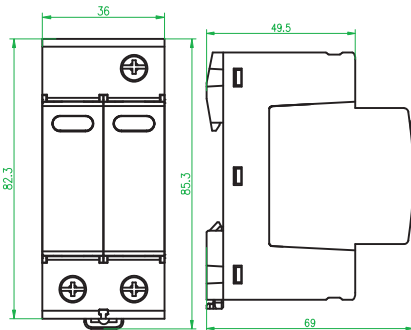
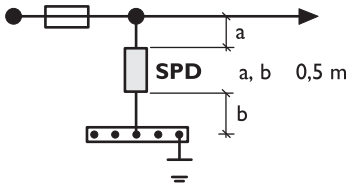


⚠ Installation

- A** V-wiring
 BS7671:2008 + A1:2011-534
 DIN VDE 0100-534;
 IEC 60364-5-53
 ≤0.5 m preferred, max. 1m

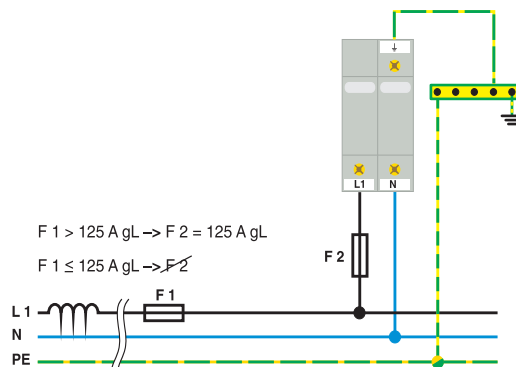


- B** Stub wiring
 BS7671:2008 + A1:2011-534
 DIN VDE 0100-534 ⇒ (a, b ≤ 0.5 m)
 IEC 60364-5-53;
 CEI 81-8:2002-02 ⇒ (a + b ≤ 0.5 m)
 ≤0.5 m preferred, max. 1m



Part No.	WSPD240
Technology	MOV+GSG
Type	Type2
Network	230 V single-phase
Max. AC operating voltage U_c	275V
Temporary Over Voltage (TOV) Characteristics - 5 sec. UT	335 Vac withstand
Temporary Over Voltage (TOV) Characteristics - 120 mn UT	440 Vac disconnection
Nominal discharge current I_n	20 kA
Max. discharge current I_{max}	40kA
Total Maximum discharge current $I_{max\ total}$	40kA
Withstand on Combination waveform IEC 61643-11 U_{oc}	6kV
Protection level U_p	1.5kV
Protection level N/PE at 5 kA	0.7 kV
Residual voltage L/PE at 5 kA	0.7 kV
Admissible short-circuit current	25kA
Connection to Network	By screw terminals: 2.5-25 mm ²
Mounting	Symmetrical rail 35 mm (DIN 60715)
Operating temperature	-40 / +85°C
Protection rating	IP20
Failsafe mode	Disconnection from AC network
Disconnection indicator	1 mechanical indicator by pole - Red/Green
Fuses	50 A mini. - 125 A max. - Fuses Type gG
Standards compliance	IEC 61643-11 / EN 61643-11

TN-S



TT

