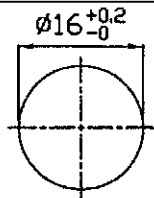
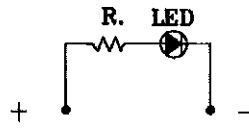
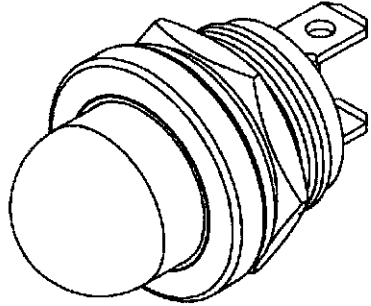
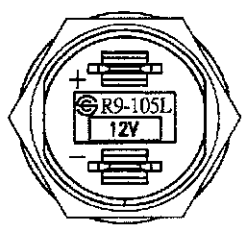
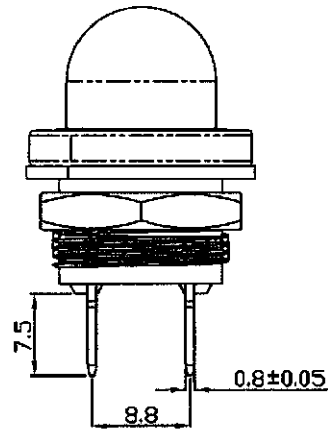
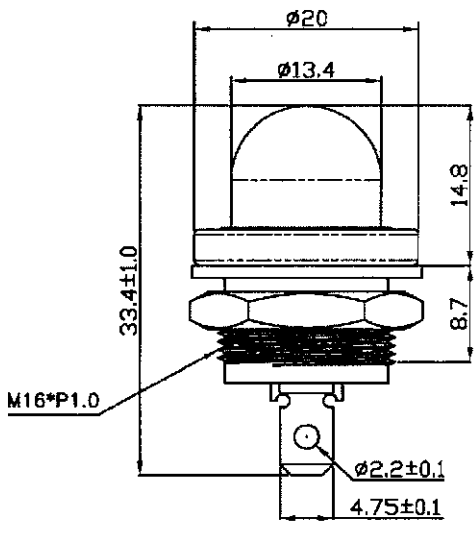
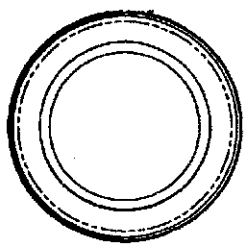


Rating	12V DC		
Insulation Resistance	DC 500V 100M Ohm Min		
Dielectric Strength	AC 1500V 1 Minute		
Operation Temperature	-20°C~+85°C		

LED Color	LED Lens Color	Vf	Vf	Iv(mcd)	View Angle
Blue	White Diffuse	3.5V	20mA	300	100°

Material
 Lens: PC, Blue
 Body: Nylon 66+33% GF
 Terminal: Nickel Plated Brass
 Nut: Nickel Plated Zinc Alloy



For CEI Only
 Tolerances Unless Otherwise Specified ±0.3

						△	
						△	
						NO	
Date	Name	Description					
Drawn	Checked	Approved	SCI BOM No.	1720493	Model Name	LED INDICATOR	
歐陽安			Customer No.		Model No.	R9-105L1-02-WUU4	REV.
08/16/'10	8/16-'10		Unit	mm	SHIN CHIN INDUSTRIAL CO., LTD.		0